



[Manuals.plus](#) /

> [tectake](#) /

> tectake Modern Industrial Sideboard (Model 406414) - Assembly and User Manual

tectake 406414

tectake Modern Industrial Sideboard (Model 406414)

Assembly and User Manual

1. INTRODUCTION

Thank you for choosing the tectake Modern Industrial Sideboard. This manual provides essential information for the safe assembly, proper use, and maintenance of your new furniture. Please read these instructions carefully before beginning assembly and retain them for future reference.



Image 1.1: The tectake Modern Industrial Sideboard in a contemporary living room.

Safety Information

- Always assemble the product on a soft, clean surface to prevent scratches.
- Ensure all components are present before starting assembly.
- Do not overtighten screws, as this may damage the material.
- Keep small parts away from children during assembly.
- Use the included anti-tip protection to secure the sideboard to a wall, especially if children are present.
- Do not exceed the maximum weight capacity of 40 kg for the top surface and 20 kg for internal shelves.

2. INCLUDED COMPONENTS

Before assembly, verify that all parts listed below are present and undamaged. If any parts are missing or damaged, please contact customer support.

MISURE

Misure totali
120 x 37,5 x 55,5 cm

Misure interne
119 x 30,5 x 34 cm

Ripiano superiore
120 x 35 cm

Scaffale interno
119 x 30,5 x 2 cm

Misure ciascuna porta
38 x 35 cm

Distanza dal pavimento
15 cm

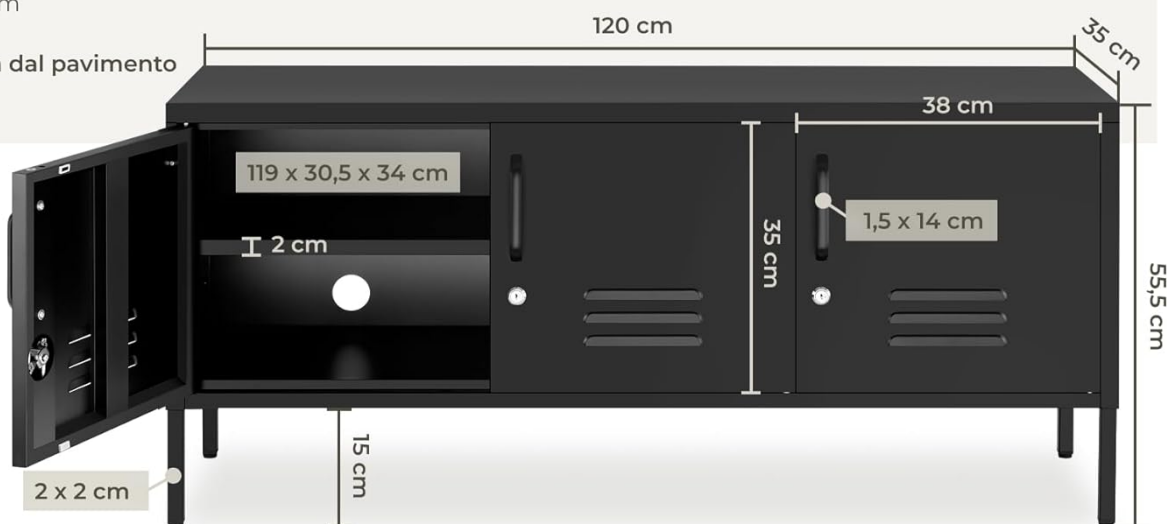
DATI TECNICI

Portata
Ripiano superiore 40 kg
Scaffale interno 20 kg
Ripiano inferiore 40 kg

Peso ca. 16,5 kg
Materiali acciaio verniciato
a polvere, polipropilene

CONTENUTO

Credenza
3 set di chiavi
Dispositivo antiribaltamento
Materiale di montaggio
Istruzioni di montaggio



Tutte le misure sono indicative

Image 2.1: Product information diagram with dimensions and included components.

Package Contents:

- Sideboard unit
- 3 sets of keys
- Anti-tip protection device
- Assembly hardware (screws, dowels, etc.)
- Assembly instructions (this manual)

Required Tools (Not Included):

- Screwdriver (Phillips head recommended)
- Hammer (for dowels, if applicable)
- Drill (for wall mounting anti-tip device)
- Measuring tape

3. ASSEMBLY INSTRUCTIONS

Follow these steps carefully to assemble your tectake sideboard. It is recommended to have two people for assembly.

1. **Unpack and Identify:** Carefully unpack all components and lay them out on a clean, soft surface. Refer to Image 2.1 to identify each part.
2. **Assemble the Frame:** Connect the side panels to the bottom and top panels using the provided screws and hardware. Ensure all connections are secure but do not overtighten.
3. **Install Back Panel:** Attach the back panel to the assembled frame.
4. **Attach Legs:** Securely fasten the four adjustable legs to the bottom of the sideboard.
5. **Insert Shelves:** Place the adjustable shelves into the desired positions within each compartment. The shelves can be moved to different heights.
6. **Mount Doors:** Attach the three doors to the front of the sideboard using the hinges. Ensure they open and close smoothly.
7. **Install Locks and Handles:** Attach the handles and install the locking mechanisms on each door. Test the locks with the provided keys.
8. **Apply Anti-Tip Protection:** For safety, attach the anti-tip device to the back of the sideboard and secure it to a sturdy wall stud using appropriate wall anchors (not always included, depending on wall type).

FACILE da curare

Grazie all'elevata altezza da terra, pulire la zona sotto alla credenza è facile proprio come pulire le superfici lisce stesse.



MOLTO robusto

Il corpo in acciaio verniciato a polvere garantisce la massima stabilità, mentre i piedini antiscivolo avvitabili assicurano un'ottima tenuta.

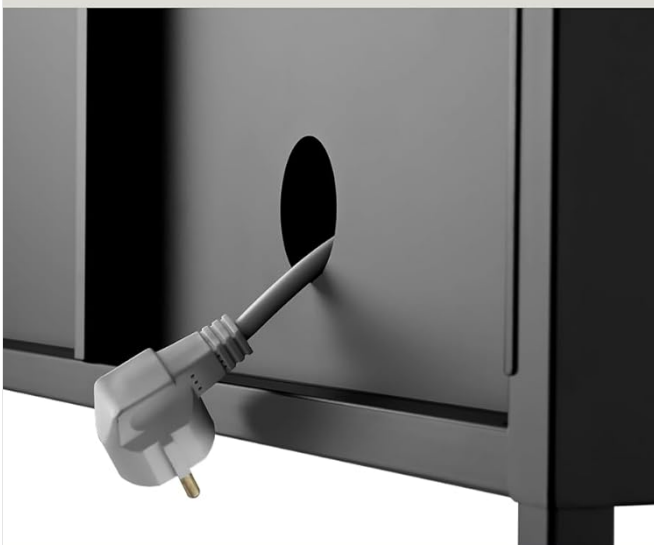
Image 3.1: Internal view of the sideboard, illustrating shelf placement and cable pass-through holes.



Per poter regolare in modo versatile i due vani principali, il ripiano è regolabile su più livelli.



Robuste chiusure magnetiche mantengono le ante a battente sempre chiuse in modo affidabile.



I 2 fori per il passaggio dei cavi consentono di collegare dispositivi elettronici all'interno.



I piedini in plastica antiscivolo sono regolabili in altezza e garantiscono una stabilità totale.

Image 3.2: Detailed views of key assembly and functional features: adjustable shelf clips, magnetic door closures, cable routing holes, and adjustable anti-slip feet.

4. OPERATION AND FEATURES

Adjustable Shelves

The sideboard features three compartments, each with an adjustable shelf. To adjust a shelf, simply remove it from its current position and reinsert it into the desired height slots. This allows for flexible storage of various items.

Secure Locking Doors

Each of the three doors is equipped with a reliable magnetic closure and a separate key lock. Use the provided keys to secure your belongings. The magnetic closure ensures the doors remain shut when unlocked.

tectake home



Look minimalista

Si adatta agli stili di arredamento



2 ampi scomparti

Ripiano intermedio regolabile



3 ante a battente

Chiusura magnetica solida, chiudibile a chiave



Robusto telaio in acciaio

Resistente, verniciato a polvere



Caratteristiche pratiche

Fessure ventilazione e fori passacavi



Stabilità al 100%

Piedini regolabili in altezza, antiribaltamento



Image 4.1: Overview of the sideboard's key features, including its minimalist design, storage capacity, and robust construction.

Cable Management

The back panel includes strategically placed openings for cable pass-through. This feature is ideal for organizing electronic devices such as media players, gaming consoles, or routers, keeping cables tidy and out of sight.

Adjustable Feet

The sideboard is fitted with adjustable anti-slip feet. These feet allow you to level the unit on uneven surfaces, ensuring maximum stability and protecting your floor from scratches.

5. CARE AND MAINTENANCE

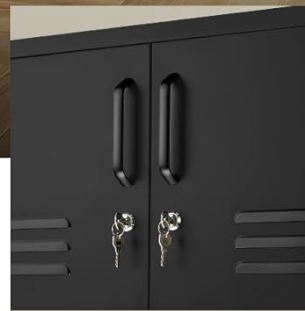
To ensure the longevity and appearance of your tectake sideboard, follow these simple care instructions:

- **Cleaning:** Wipe the surface with a soft, damp cloth. Avoid abrasive cleaners or harsh chemicals, as these can damage the powder-coated finish.

- **Dusting:** Regularly dust the sideboard with a dry, soft cloth.
- **Spills:** Immediately wipe up any spills to prevent staining or damage to the finish.
- **Inspection:** Periodically check all screws and connections to ensure they remain tight. Retighten if necessary.
- **Ventilation:** The front ventilation slots help with air circulation. Ensure they are not blocked to maintain proper airflow, especially if storing electronics.



PONDERATO FINO AL
dettaglio



Coppia chiavi
separate



Fessure areazione
integrate

Image 5.1: The sideboard functioning as a media console, demonstrating its practical use and easy-to-clean surfaces.

6. TROUBLESHOOTING

Problem	Possible Cause	Solution
Sideboard is wobbly/unstable.	Uneven floor; loose connections.	Adjust the anti-slip feet to level the unit. Check and tighten all assembly screws. Ensure anti-tip protection is securely installed.

Problem	Possible Cause	Solution
Doors do not close properly.	Misaligned hinges; obstruction; magnetic closure issue.	Check hinge alignment and adjust if necessary. Ensure nothing is blocking the door's path. Verify magnetic closures are intact.
Keys do not turn in the lock.	Incorrect key; lock mechanism jammed.	Ensure you are using the correct key for the specific lock. Apply a small amount of graphite lubricant to the key and insert it gently. Do not force the key.

7. PRODUCT SPECIFICATIONS

tectake
home

Informazioni prodotto

MISURE

Misure totali
120 x 37,5 x 55,5 cm

Misure interne
119 x 30,5 x 34 cm

Ripiano superiore
120 x 35 cm

Scaffale interno
119 x 30,5 x 2 cm

Misure ciascuna porta
38 x 35 cm

Distanza dal pavimento
15 cm

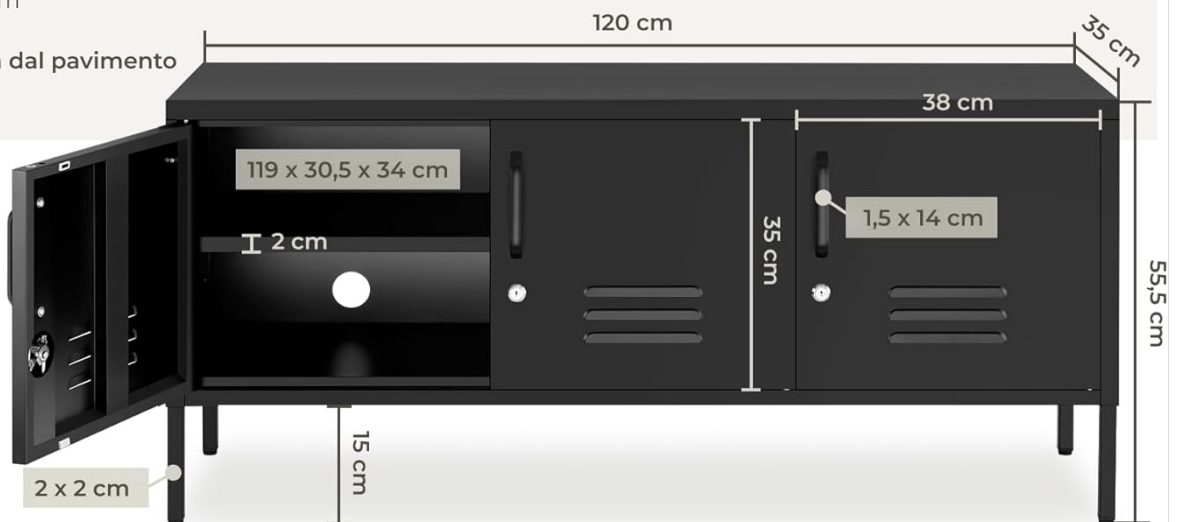
DATI TECNICI

Portata
Ripiano superiore 40 kg
Scaffale interno 20 kg
Ripiano inferiore 40 kg

Peso ca. 16,5 kg
Materiali acciaio verniciato a polvere, polipropilene

CONTENUTO

Credenza
3 set di chiavi
Dispositivo antiribaltamento
Materiale di montaggio
Istruzioni di montaggio



Tutte le misure sono indicative

Image 7.1: Comprehensive product dimensions and technical specifications.

Feature	Detail
---------	--------

Feature	Detail
Brand	tectake
Model Number	406414
Color	Black
Material	Powder-coated steel alloy
Overall Dimensions (DxWxH)	37.5 cm x 120 cm x 55.5 cm
Weight	Approx. 16.4 kg
Max. Load Capacity (Top Surface)	40 kg
Max. Load Capacity (Internal Shelf)	20 kg
Number of Doors	3
Number of Compartments	3
Special Features	Lockable doors, rear cable holes, adjustable anti-slip feet, anti-tip protection.
Assembly Required	Yes

8. WARRANTY AND SUPPORT

For warranty information or technical support, please refer to the purchase documentation or contact tectake customer service directly. Contact details can typically be found on the tectake official website or through your retailer. Please have your model number (406414) and purchase date ready when contacting support.