



[Manuals.plus](#) /

> [Garvee](#) /

> Garvee Coat Rack Hall Tree Instruction Manual (Model: Hall Tree, 5 Hooks-25.2In)

Garvee Hall Tree

Garvee Coat Rack Hall Tree Instruction Manual

Model: Hall Tree (5 Hooks-25.2In) | Brand: Garvee

1. PRODUCT OVERVIEW

The Garvee Hall Tree is a versatile 4-in-1 organization unit designed for entryways, hallways, or front door areas. It integrates a coat rack, a shoe rack, a shoe changing bench, and a hanging rod to maximize space efficiency.

- **Coat Rack:** Equipped with durable hooks for hanging coats, bags, and accessories.
- **Shoe Rack:** Features a 3-tier design for convenient shoe storage.
- **Shoe Changing Bench:** Provides a sturdy seating area.
- **Hanging Rod:** Offers additional space for garments.

4-in-1 Coat Rack

This 4-in-1 hall tree has all you covered.



Bag Storage



Double Round Hook



Shoe Bench



Shoe Storage



Image 1.1: Overview of the Garvee 4-in-1 Hall Tree, highlighting its features including bag storage, double round hooks, shoe bench, and shoe storage tiers.

2. SAFETY INFORMATION

Please read and understand all safety instructions before assembly and use. Failure to follow these instructions may result in injury or product damage.

- Do not exceed the weight limit of **350 LB (158 kg)** on the shoe bench.
- Be cautious of sharp edges and small parts during assembly, especially around children.
- Always follow the assembly instructions carefully to avoid injury and ensure stability.
- Ensure all screws and fasteners are tightened securely before use. Periodically check for loose connections.
- Do not allow children to climb on the unit.

3. ASSEMBLY INSTRUCTIONS

The Garvee Hall Tree requires assembly. All necessary parts and detailed instructions are included. It is recommended to

assemble the unit on a soft, clean surface to prevent scratches.

3.1. Required Tools

- Provided Allen wrench (or similar tool).
- Phillips head screwdriver (not always included, may be needed for some fasteners).

3.2. Step-by-Step Assembly

1. **Unpack and Identify Parts:** Carefully unpack all components and verify against the parts list provided in your package. Ensure no parts are missing or damaged.
2. **Attach Legs:** Attach the main support legs to the base frame using the provided screws. Tighten using the provided tool.
3. **Insert Dowels:** Insert dowels into pre-drilled holes on the wooden shelves.
4. **Assemble Shelves:** Align the wooden shelves and metal mesh shoe racks with the frame and secure them with bolts.
5. **Install Hooks:** Attach the coat hooks to the designated bar.
6. **Final Tightening:** Once all components are loosely assembled, gradually tighten all screws and bolts to ensure a stable structure. Do not overtighten.

Stable Structure



Rust Proof and Durable



Metal Frame Structure

Image 3.1: Illustration of the stable metal frame structure and rust-proof design.

4. OPERATING INSTRUCTIONS

The Garvee Hall Tree is designed for straightforward use in organizing your entryway.

4.1. Using the Coat Rack

- Hang coats, jackets, scarves, and hats on the provided hooks.
- Utilize the upper shelf for bags, decorative items, or additional storage.
- The hanging rod can be used for hangers or longer garments.



Image 4.1: Details of the bag storage shelf and double round hooks.

4.2. Using the Shoe Bench and Storage

- The wooden bench provides a convenient spot to sit while putting on or taking off shoes. Ensure the weight limit is not exceeded.
- The three-tier metal mesh shelves below the bench are designed for shoe storage. Arrange shoes neatly for easy access.



Image 4.2: The shoe bench in use and a close-up of the shoe storage shelves.

5. MAINTENANCE AND CARE

Proper maintenance will ensure the longevity and appearance of your Garvee Hall Tree.

- **Cleaning:** Wipe down metal frames with a soft, damp cloth. For wooden/MDF surfaces, use a dry or slightly damp cloth. Avoid harsh chemicals or abrasive cleaners.
- **Dusting:** Regularly dust all surfaces to prevent buildup.
- **Tightening Fasteners:** Periodically check all screws and bolts and tighten them if they have become loose. This helps maintain the unit's stability.
- **Avoid Moisture:** Do not expose the unit to excessive moisture or direct sunlight for prolonged periods, as this can damage the materials.

6. TROUBLESHOOTING

If you encounter any issues with your Garvee Hall Tree, refer to the following common problems and solutions.

6.1. Unit Feels Unstable or Wobbly

- **Check Fasteners:** Ensure all screws and bolts are fully tightened. Loose connections are the most common cause of instability.
- **Level Surface:** Verify that the unit is placed on a flat, level surface. Uneven flooring can cause wobbling.
- **Weight Distribution:** Ensure weight is evenly distributed on the shelves and hooks. Overloading one side can affect stability.
- **Tipping Hazard:** If the unit tips slightly when heavy items are hung (as noted in some user feedback), consider

anchoring the unit to the wall for added stability, especially if children are present. Wall anchoring hardware is typically not included but can be purchased separately.

6.2. Missing or Damaged Parts

- If you find any parts missing or damaged upon unpacking, do not proceed with assembly. Contact Garvee customer support immediately for assistance.

6.3. Difficulty Assembling

- Review the assembly instructions carefully, paying close attention to diagrams.
- Ensure you are using the correct screws and tools for each step.
- Do not force parts together. If parts do not fit, re-check the orientation and ensure you have the correct components for that step.

7. SPECIFICATIONS

Brand	Garvee
Model Number	Hall Tree
Colour	Rustic Brown
Size	5 Hooks-25.2In
Material	Metal, MDF
Item Weight	18 Pounds (approx. 8.16 kg)
Item Dimensions (L x W x H)	60 x 30 x 180 Centimetres (23.6 x 11.8 x 70.9 inches)
Assembly Required	Yes
Max Bench Weight Capacity	350 LB (158 kg)

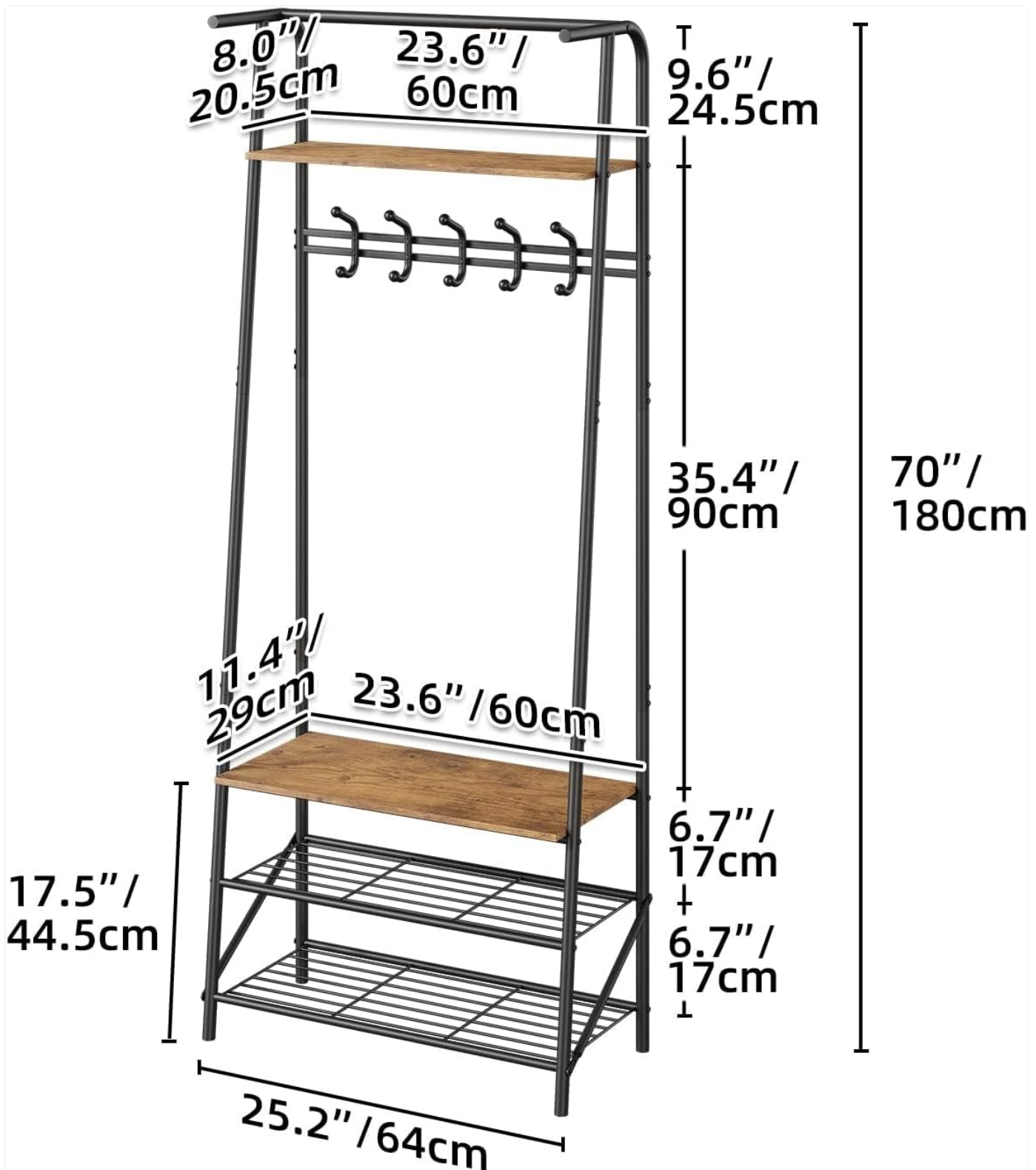


Image 7.1: Dimensional drawing of the Garvee Hall Tree.

8. WARRANTY AND SUPPORT

For warranty information or customer support, please refer to the documentation included with your purchase or contact the manufacturer directly.

- **Manufacturer:** Garvee
- **Contact:** Please refer to the contact information provided in your product packaging or visit the official Garvee website for support.



© 2024 Garvee. All rights reserved.