

Merax JY00744-3

Merax 54.9" Kitchen Island with Drop Leaf and Power Outlet Instruction Manual

Model: JY00744-3

1. PRODUCT OVERVIEW

This manual provides instructions for the Merax 54.9" Kitchen Island with Drop Leaf and Power Outlet. This versatile kitchen island features a spacious countertop, integrated power strip, ample storage, and mobile design for enhanced functionality in your kitchen or dining area.

Key Features:

- **Drop Leaf Design:** Expandable countertop for additional workspace or dining space.
- **Integrated Power Outlet:** Includes 2 AC outlets, 1 USB port, and 1 Type-C port for convenient appliance charging.
- **Ample Storage:** Features two drawers, two compartments, four internal shelves, and two-tier door racks.
- **Mobility:** Equipped with four wheels, two of which are lockable, for easy movement and secure placement.
- **Durable Construction:** Made from engineered wood with a multi-step finish.

2. SAFETY INFORMATION

Please read and understand all safety instructions before assembly and use. Failure to follow these instructions may result in injury or damage to the product.

- **Weight Limits:** Do not exceed the maximum load capacity of 400 lbs for the top surface and 75 lbs per shelf. Overloading can cause instability and damage.
- **Assembly:** Assemble the unit on a soft, clean surface to prevent scratches. Two adults are recommended for assembly.
- **Stability:** Ensure all connections are securely tightened before use. Regularly check and re-tighten hardware as needed.
- **Power Outlet:** Only use the integrated power outlet with compatible devices. Do not overload the circuit.

Keep liquids away from the power strip.

- **Children:** Keep children away from the assembly area. Do not allow children to climb or play on the kitchen island.
- **Placement:** Place the kitchen island on a level surface. Lock the wheels when the island is in its desired position to prevent accidental movement.

3. PACKAGE CONTENTS

Verify that all components are present before beginning assembly. If any parts are missing or damaged, please contact customer support.

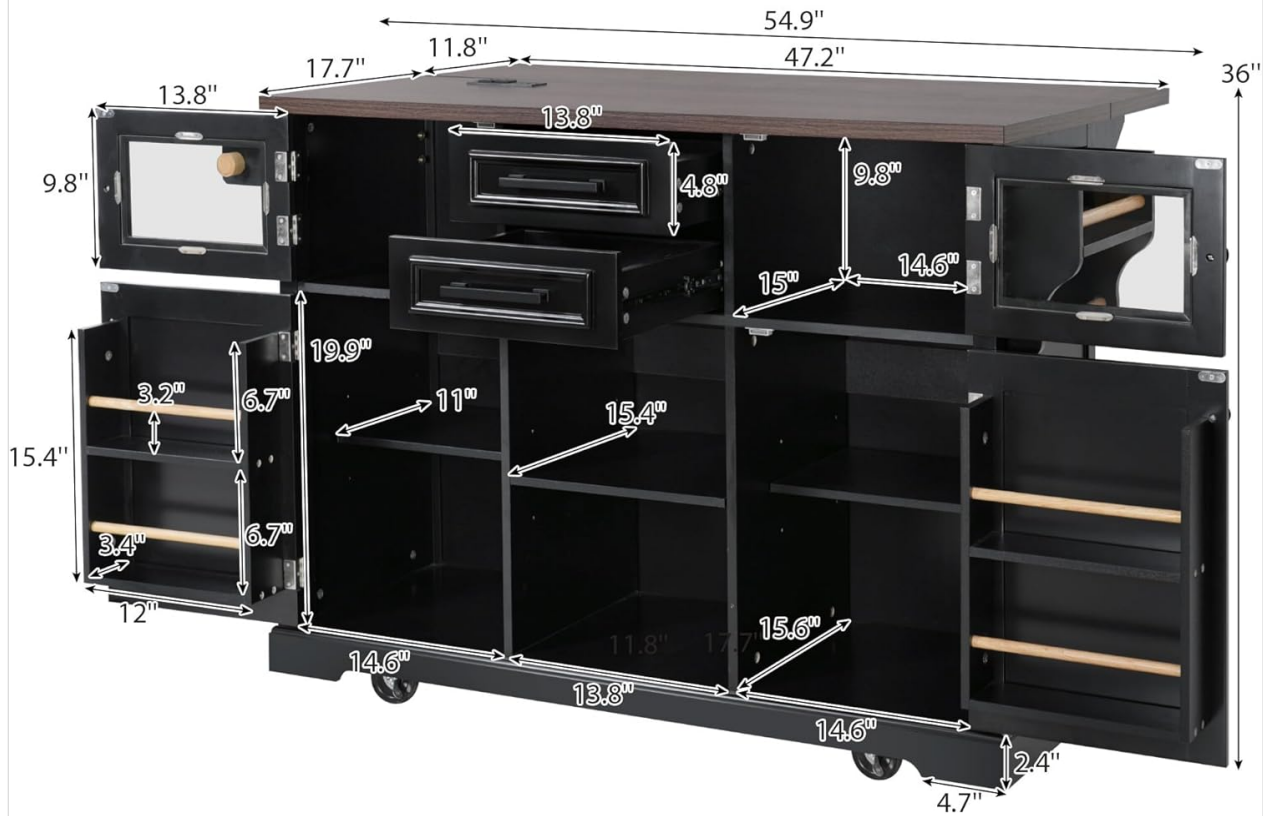
- Kitchen Island Main Body
- Drop Leaf Extension
- Drawers (2)
- Doors (4)
- Adjustable Shelves (4)
- Door Racks (4)
- Wheels (4, 2 lockable)
- Integrated Power Outlet
- Spice Rack
- Towel Rack
- Hardware Pack
- Installation Instructions
- Installation Tools

4. SETUP AND ASSEMBLY

Follow the detailed step-by-step instructions provided in the included Installation Instruction manual. The following is a general overview:

1. **Unpack Components:** Carefully remove all parts from the packaging and lay them out on a clean, soft surface.
2. **Assemble Main Frame:** Connect the side panels to the base and top frame using the provided hardware.
3. **Install Shelves:** Insert the adjustable shelves into the desired positions within the compartments.
4. **Assemble Drawers:** Construct the two drawers and install them into their respective slides.
5. **Attach Doors:** Mount the four doors, including the cross barn doors and visual glass doors, to the main frame. Install the two-tier racks on the inside of the barn doors.
6. **Install Wheels:** Attach the four wheels to the bottom of the island, ensuring the two lockable wheels are positioned for easy access.
7. **Mount Power Outlet:** Secure the integrated power outlet into the designated slot on the countertop.
8. **Attach Drop Leaf:** Secure the drop leaf mechanism to the island and test its operation.
9. **Final Checks:** Ensure all screws and fasteners are tight.

Dimensions & Load



Overall Dimensions:
 54.9\"(W) x 29.5\"(D) x 36\"(H)

Max. Load
 Top: 400 lbs | Shelf: 75 lbs



Image: Detailed diagram illustrating the dimensions and load capacities of the kitchen island, including measurements for various compartments and drawers. Max load for the top is 400 lbs, and for shelves is 75 lbs.



Image: A close-up view of an adjustable shelf within one of the island's storage compartments, highlighting the flexibility for interior storage.



Image: A detailed shot of one of the kitchen island's wheels, showing its lockable mechanism for secure positioning.

5. OPERATING INSTRUCTIONS

5.1 Using the Drop Leaf

The drop leaf provides an extended surface for dining or additional workspace.

1. **To Extend:** Gently lift the drop leaf from its folded position. Pull out the support mechanism (post) from underneath until it locks into place, supporting the leaf.
2. **To Retract:** Push the support mechanism back underneath the main countertop. Carefully lower the drop leaf until it rests against the side of the island.

5.2 Utilizing the Power Outlet

The integrated power strip is located on the countertop for easy access.

- Plug the island's main power cord into a standard wall outlet.
- Use the 2 AC outlets for kitchen appliances such as coffee makers, blenders, or toasters.
- The 1 USB port and 1 Type-C port are suitable for charging mobile devices.
- Ensure devices are within the specified voltage and amperage limits (120V/12A for AC, 5V/3A for USB/Type-C).

Built-In Power Strip

- With 1 USB-A & C port and 2 AC outlets
- Can be mounted easily

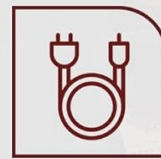
Convenient & Smart



120V/12A
2 AC Outlets



5V/3A
1 USB & C Port



4.9Ft(1.5m)
Power Cord

Image: A close-up view of the built-in power strip, showing the two AC outlets, one USB port, and one Type-C port, ready for use.

5.3 Storage and Organization

The island offers various storage options:

- **Drawers:** Use the two deep drawers for cutlery, utensils, or smaller kitchen accessories.
- **Internal Shelves:** The four adjustable shelves inside the main compartments can store plates, bowls, small appliances, or pantry items.
- **Door Racks:** The two-tier racks on the inside of the barn doors are ideal for spices, sauces, and other condiments, preventing them from falling.
- **Spice Rack & Towel Rack:** Utilize the dedicated spice rack for easy access to frequently used spices and the towel rack for hanging kitchen towels.

Roomy and Versatile

- 10 Storage compartments for every day items
- Adjustable shelves & 4 Door Shelves provides flexible storage
- 2 Deep drawers for spoons, knives and forks



Image: The kitchen island with all doors open, showcasing the various storage compartments, adjustable shelves, and door racks filled with kitchen items.



Spice Rack

Organize spices for easy access

Towel Rack

Hang towels and move the kitchen island easily



4 Hidden wheels

2 Lockable for easy parking



Image: A detailed view highlighting the integrated spice rack for organizing condiments and the towel rack for convenient access to kitchen towels.

5.4 Mobility and Locking Wheels

The island is designed for easy repositioning.

- **To Move:** Unlock the two lockable wheels by flipping their levers to the 'unlocked' position. Gently push the island to its desired location.
- **To Secure:** Once the island is in place, engage the locks on the two lockable wheels by flipping their levers to the 'locked' position. This will prevent unintended movement.

Your browser does not support the video tag.

Video: Official Merax video demonstrating the features of the 54.9" Kitchen Island, including the drop leaf and power outlet. This video provides a visual guide to the product's functionality.

6. MAINTENANCE

Proper care will extend the life and appearance of your kitchen island.

- **Cleaning:** Wipe surfaces with a soft, damp cloth. Avoid harsh chemicals or abrasive cleaners that can

damage the finish. For spills, wipe immediately.

- **Wood Care:** For the engineered wood surfaces, use a furniture polish designed for wood occasionally to maintain its luster.
- **Glass Doors:** Clean glass panels with a standard glass cleaner and a soft cloth.
- **Hardware:** Periodically check all screws, bolts, and connections to ensure they are tight. Re-tighten as necessary to maintain stability.
- **Power Outlet:** Keep the power outlet clean and dry. Do not attempt to disassemble or repair the power strip yourself.

7. TROUBLESHOOTING

If you encounter any issues, refer to the following common problems and solutions:

- **Issue: Drawers are stiff or do not slide smoothly.**
Solution: Check if the drawer slides are properly aligned and free of obstructions. Ensure all assembly screws for the slides are tightened. A small amount of silicone lubricant can be applied to the slides if needed.
- **Issue: Doors do not close properly or are misaligned.**
Solution: Inspect the hinges for proper installation and alignment. Adjust the hinge screws to correct any misalignment. Ensure the island is on a level surface.
- **Issue: Wheels do not roll freely or lock securely.**
Solution: Check for any debris or hair caught in the wheels. Ensure the locking mechanism is fully engaged or disengaged. If a wheel is damaged, contact customer support for a replacement.
- **Issue: Power outlet is not providing power.**
Solution: Verify that the island's main power cord is securely plugged into a functioning wall outlet. Check if the wall outlet itself is working by plugging in another device. If the issue persists, discontinue use and contact customer support.
- **Issue: Island feels unstable or wobbly.**
Solution: Re-check all assembly hardware and tighten any loose screws. Ensure the island is placed on a flat, level surface.

8. SPECIFICATIONS

Feature	Detail
Model Number	JY00744-3
Product Dimensions (D x W x H)	29.5" x 54.9" x 36"
Material	Engineered Wood
Color	Brown
Item Weight	125.4 Pounds
Max Top Load Capacity	400 lbs
Max Shelf Load Capacity	75 lbs
Power Outlet Specifications	2 AC Outlets (120V/12A), 1 USB Port (5V/3A), 1 Type-C Port (5V/3A)
Power Cord Length	4.9 Ft (1.5m)

Number of Drawers	2
Number of Internal Shelves	4
Number of Door Racks	4
Wheels	4 (2 lockable)

9. WARRANTY INFORMATION

Warranty information for your Merax Kitchen Island is typically included with the product packaging or can be found on the official Merax website. Please retain your proof of purchase for any warranty claims.

10. CUSTOMER SUPPORT

For further assistance, missing parts, or any questions regarding your Merax Kitchen Island, please contact Merax customer service. Refer to the contact information provided in your product packaging or on the official Merax website.