



[Manuals.plus](#) /

> [Virubi](#) /

> Virubi 30-inch Farmhouse Bathroom Vanity with Sink (Model N759P412928) - Instruction Manual

Virubi N759P412928

Virubi 30-inch Farmhouse Bathroom Vanity with Sink

MODEL: N759P412928

Instruction Manual

Introduction

This manual provides detailed instructions for the assembly, operation, and maintenance of your Virubi 30-inch Farmhouse Bathroom Vanity with Sink. Please read all instructions carefully before beginning assembly and retain this manual for future reference.



Virubi 30-inch Farmhouse Bathroom Vanity with Sink, Oak finish.

Product Overview and Features

The Virubi 30-inch Farmhouse Bathroom Vanity features a natural wood design, combining rustic and modern aesthetics. It is constructed from solid pine wood for the legs and high-quality MDF for other parts, ensuring durability and resistance to bathroom humidity. The vanity includes a smooth ceramic basin with a pre-drilled 4-inch faucet configuration (faucet not included).

Key features include:

- **Natural Wood Finish:** Provides warmth and character to your bathroom space.
- **Durable Ceramic Sink:** Glossy, easy-to-clean surface with a chrome-finish overflow.
- **Soft-Closing Doors and Drawers:** Equipped with high-quality hinges and slides for quiet operation and safety.
- **Ample Storage:** One cabinet with an adjustable shelf, a two-tier storage rack on the door, and a spacious bottom drawer.

Durable Ceramic Sink



Easy to Clean



Pre-drilled 3 Faucet Holes

Chrome-finish Overflow

Compatible with 4" Centerset Faucet (not included)

Design features of the Virubi vanity, highlighting the natural wood grain, chunky rounded legs, and recessed pulls for a softened modern aesthetic.

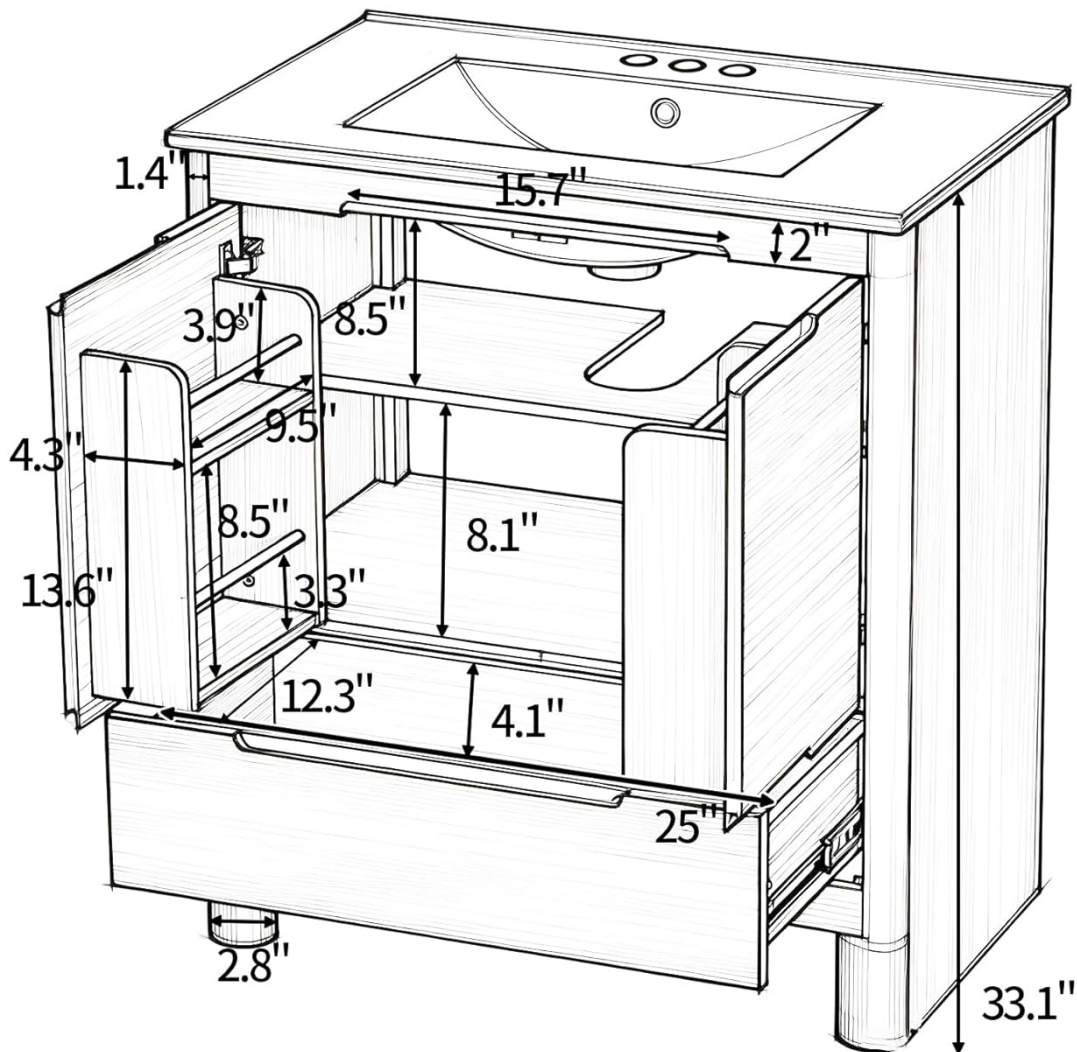
Product Components

Before assembly, ensure all components are present and undamaged. Refer to the included hardware list in the packaging for specific part identification.

- Vanity Cabinet Base (Pine Wood & MDF)
- Ceramic Sink Top
- Soft-Closing Hinges (for doors)
- Soft-Closing Drawer Slides
- Adjustable Shelf
- Door Storage Rack
- Assembly Hardware (screws, dowels, etc.)

SIZE: INCH

FRONT SIZE



Detailed dimensions of the Virubi 30-inch Farmhouse Bathroom Vanity, including cabinet, sink, and internal storage measurements.

Setup and Assembly Instructions

Assembly is required for this product. An installation instruction manual with clear illustrations is shipped with the product. Users typically complete the installation within approximately one hour by following these steps:

1. **Unpack and Inspect:** Carefully remove all components from the packaging. Verify that all parts listed in the included manual are present and undamaged.
2. **Assemble Cabinet Base:** Follow the step-by-step diagrams to construct the main cabinet frame. Ensure all connections are secure.
3. **Install Drawer Slides:** Attach the soft-closing drawer slides to the cabinet and the drawer box according to the instructions.
4. **Assemble Drawer:** Construct the bottom drawer and insert it into the installed slides.
5. **Attach Doors:** Mount the doors using the soft-closing hinges. Adjust as necessary for proper alignment.
6. **Install Door Storage Rack:** Secure the two-tier storage rack to the inside of the cabinet door.
7. **Place Adjustable Shelf:** Insert the adjustable shelf into the desired height within the cabinet.
8. **Install Sink Top:** Carefully place the ceramic sink top onto the cabinet base. Secure it if instructed by the

manual.

- 9. Connect Plumbing:** Connect the faucet (not included) and drain assembly to the sink. Ensure all connections are watertight.

For visual guidance, please refer to the video below demonstrating the vanity's features and assembly aspects.

Your browser does not support the video tag.

Official product video showcasing the 30-inch Bathroom Vanity with Sink Combo Set, highlighting its soft-closing door and storage features.



The Virubi vanity with doors and drawer open, showcasing the adjustable shelf, two-tier door shelf, and spacious bottom drawer for organized storage.

Operating Instructions

The Virubi bathroom vanity is designed for straightforward use:

- **Doors and Drawers:** Gently pull the recessed handles to open. The soft-closing mechanism will ensure they close quietly and smoothly, preventing slamming and protecting fingers.

- **Adjustable Shelf:** The internal shelf can be repositioned to three different heights to accommodate various item sizes. To adjust, remove the shelf, reposition the shelf pins to the desired height, and reinsert the shelf.
- **Door Storage Rack:** Utilize the two-tier rack on the inside of the cabinet door for smaller items like toiletries, keeping them easily accessible.



Virubi vanity with doors and drawer open, illustrating the internal storage configuration and soft-closing mechanisms.

Maintenance

Proper care will ensure the longevity and appearance of your vanity:

- **Cleaning the Cabinet:** Wipe the wood and MDF surfaces with a soft, damp cloth. Avoid abrasive cleaners or harsh chemicals that could damage the finish. Dry immediately with a clean cloth.
- **Cleaning the Ceramic Sink:** The smooth ceramic basin is easy to clean. Use a mild, non-abrasive bathroom cleaner and a soft sponge or cloth. Rinse thoroughly with water and dry to prevent water spots.
- **Spills:** Promptly wipe up any water spills or moisture from the vanity surfaces to prevent water damage or staining.
- **Hardware:** Periodically check and tighten any loose screws on hinges, drawer slides, or handles.



Close-up of the durable ceramic sink with pre-drilled 3 faucet holes and chrome-finish overflow. Note: Faucet is not included.

Troubleshooting

Here are solutions to common issues you might encounter:

- **Faucet Not Included:** Please note that the faucet is not included with the vanity. You will need to purchase a compatible 4-inch centerset faucet separately.
- **Doors/Drawers Not Closing Softly:** Check if any objects are obstructing the closing mechanism. Ensure hinges and slides are clean and free of debris. If necessary, refer to the assembly manual for hinge and slide adjustment instructions.
- **Water Leaks:** If you experience any leaks, immediately turn off the water supply. Check all plumbing connections (faucet, drain, supply lines) for proper sealing and tightness. Re-tighten or apply plumber's tape/sealant as needed.
- **Surface Stains:** For stubborn stains on the ceramic sink, use a specialized ceramic cleaner. For wood/MDF surfaces, consult a furniture care guide for appropriate stain removal methods, testing on an inconspicuous area first.

Specifications

Overall Product Dimensions	30.1"L x 18.3"W x 33.8"H
Overall Product Weight	92.59 lbs
Cabinet Base Dimensions	29.7"L x 18.1"W x 33.1"H
Sink Top Dimensions	30.1"L x 18.3"W x 6.7"H
Sink Top Weight	33 lbs
Cabinet Material	Pine Wood (Leg), MDF (Other Parts)
Sink Material	Ceramic
Finish	Veneer + Painted
Mounting Type	Freestanding (Floor Mount)
Number of Sinks Accommodated	1
Sink Type	Undermount; Drop-In
Faucet Mount	4" (faucet not included)
Assembly Required	Yes
Hardware Included	Yes
Number of Doors	2
Number of Drawers	1
Number of Shelves	1 (adjustable)
Weight Capacity - Drawer	30 lbs
Weight Capacity - Cabinet Shelf (1st layer)	37 lbs
Weight Capacity - Cabinet Shelf (2nd layer)	50 lbs
Weight Capacity - Each Door Shelf	5 lbs
Weight Capacity - Cabinet Top	110 lbs

Warranty and Support

Your Virubi bathroom vanity is designed for quality and durability. If you encounter any issues or have questions regarding the product, please contact our customer service. We are committed to responding to inquiries within 24 hours.

This product is eligible for a 30-day return policy from the date of purchase, allowing for a refund or replacement under specified conditions.

