



[Manuals.plus](#) /

> [TONOR](#) /

> TONOR 2.4G Dual Wireless Microphones TW-220 User Manual

## TONOR TW-220

# TONOR 2.4G Dual Wireless Microphones TW-220 User Manual

Model: TW-220

## INTRODUCTION

Thank you for choosing the TONOR 2.4G Dual Wireless Microphones. This system is designed to provide a stable and clear audio experience for various applications such as karaoke, speeches, and performances. This manual will guide you through the setup, operation, and maintenance of your new wireless microphone system to ensure optimal performance and longevity.

## IMPORTANT SAFETY INFORMATION

- Read all instructions carefully before using the product.
- Keep this manual for future reference.
- Do not expose the device to water, moisture, or extreme temperatures.
- Avoid dropping or subjecting the device to strong impacts.
- Use only the provided charging cable and recommended 5V/2A charger.
- Do not attempt to disassemble or repair the device yourself. Contact customer support if service is required.
- Keep out of reach of children.

## PACKAGE CONTENTS

Please check the package to ensure all items are present:

- 2 x Handheld Microphones
- 1 x Receiver (with 6.35mm plug)
- 1 x 3-in-1 USB Charging Cable
- 1 x 6.35mm to 3.5mm Adapter

- 1 x Instruction Manual



Image: All components included in the TONOR 2.4G Dual Wireless Microphones package, showing two microphones, one receiver, a charging cable, and an adapter.

## PRODUCT OVERVIEW

The TONOR TW-220 system consists of two handheld microphones and a compact receiver. Each microphone features a power button and indicator light. The receiver has a 6.35mm plug for direct connection to compatible audio equipment and a charging port.



Image: A close-up view of the TONOR 2.4G Dual Wireless Microphone and its receiver, highlighting their design and key features.

## SETUP GUIDE

## 1. Charging the Devices

Before first use, fully charge both microphones and the receiver. Use the included 3-in-1 USB charging cable and a 5V/2A charger (not included).

- **Charging Time:** Approximately 2 hours for a full charge.
- **Battery Life:** Up to 30 hours for microphones, 20 hours for the receiver.
- **Quick Charge:** A 10-minute charge provides approximately 2 hours of use when the battery is low.

# Fast Charge with Long Power

Quick charge for 2 hours of use in 10 minutes when battery is low.

**2H**

Charging Time

**20H+**

Receiver Battery Life

**30H+**

Microphone Battery Life



**Note: 5V/2A charger recommended.**

Image: Illustration of the microphones and receiver being charged simultaneously using the 3-in-1 USB cable. A note recommends a 5V/2A charger.

## 2. Connecting the Receiver

The receiver features a 6.35mm (1/4") plug. Insert it directly into the MIC IN port of your compatible audio device (e.g., speaker, amplifier, PA system, karaoke machine, mixer). If your device has a 3.5mm (1/8") MIC IN port, use the included 6.35mm to 3.5mm adapter.

**Note: This system is not compatible with phones, computers, or AUX/LINE-IN ports. Ensure you connect to a**

dedicated MIC IN port.

# Wide Compatibility

Supports 6.35mm and 3.5mm mic inputs.



Outdoor Speaker



Mixer



Power Amplifier



Karaoke Machine



PA System



Portable Speaker



**Note:** Incompatible with AUX/Phones/PCs/Tablets; use "MIC IN" devices only.



Image: A diagram illustrating the receiver's 6.35mm plug and the 3.5mm adapter, showing compatible devices like outdoor speakers, mixers, power amplifiers, karaoke machines, PA systems, and portable speakers. It also clearly indicates incompatibility with AUX/LINE-IN ports.

# PRO-UHF Wireless Receiver

Portable, foldable, and fits all 6.35mm inputs.

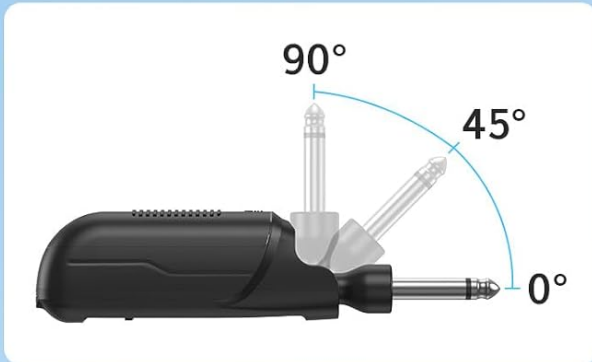


Image: The receiver's foldable design is shown, demonstrating how it can be adjusted for different angles and stored compactly. It is also shown plugged into a speaker's microphone input.

## 3. Powering On and Pairing

The microphones and receiver are designed for automatic pairing.

1. **Step 1:** Long press the power button on each microphone to turn it on. The indicator light will flash.
2. **Step 2:** Long press the power button on the receiver to turn it on.
3. The microphones and receiver will automatically pair. Once paired, both indicator lights will turn solid green.

# Plug and Play

Get started in just 2 easy steps.

## Step 1

Long press to turn on the mic



**Auto-Pairing**  
(Both lights solid green)

## Step 2

Long press to turn on the receiver



Image: A visual guide demonstrating the two-step "Plug and Play" process: long-pressing the microphone power button, then long-pressing the receiver power button, with an arrow indicating auto-pairing and solid green lights for successful connection.

## OPERATING INSTRUCTIONS

### Microphone Usage

- **Power On/Off:** Long press the power button.
- **Mute Function:** Short press the power button to mute/unmute the microphone. The indicator light will flash when muted.
- **Optimal Performance:** For best sound quality and to minimize feedback, hold the microphone 2-4 inches (5-10 cm) from your mouth.
- **Cardioid Pickup Pattern:** The microphone is designed to pick up sound primarily from the front, reducing background noise and feedback.

# Pro-Level Karaoke Experience

Cardioid core ensures better feedback suppression and noise reduction.



Latency  
**<20 ms**



Frequency  
Response  
**50 Hz–15 kHz**



S/N Ratio  
**59 dBA**



Cardioid  
Pickup  
Pattern

**Best Range: 2"-4"(5-10cm)**



Image: A person singing into the TONOR microphone, illustrating the optimal holding distance and highlighting key specifications like latency, frequency response, S/N ratio, and cardioid pickup pattern.

## Wireless Transmission

The system operates on 2.4G wireless technology, providing a stable connection up to 50 feet (15 meters) in open areas. Ensure there are no major obstructions between the microphone and receiver for optimal performance.

# Long-Range Transmission

Enjoy wireless freedom with a stable range of up to 50ft (15m).

## 50ft / 15m

Transmission Distance



Anti-Interference



Stable Signal



Zero Audio Lag

Image: A person singing outdoors with the TONOR wireless microphone, demonstrating the 50ft/15m transmission distance and highlighting features like anti-interference, stable signal, and zero audio lag.

Your browser does not support the video tag.

Video: An official product video demonstrating the features and usage of the TONOR 2.4G Dual Wireless Microphones, including setup and sound quality.

## MAINTENANCE

- **Cleaning:** Wipe the microphones and receiver with a soft, dry cloth. Do not use harsh chemicals or abrasive cleaners.
- **Storage:** Store the system in a cool, dry place away from direct sunlight and extreme temperatures when not in use.
- **Battery Care:** To prolong battery life, avoid fully discharging the batteries frequently. Charge them regularly, even if not in constant use.

## TROUBLESHOOTING

Problem	Possible Cause	Solution
No sound from microphone	<p>Microphone/Receiver not powered on.</p> <p>Not paired correctly.</p> <p>Receiver connected to incorrect port (e.g., AUX instead of MIC IN).</p> <p>Microphone muted.</p> <p>Low battery.</p>	<p>Ensure both devices are powered on (solid green light).</p> <p>Re-pair the devices (see Setup Guide).</p> <p>Connect receiver to a MIC IN port.</p> <p>Short press power button to unmute.</p> <p>Charge the devices.</p>
Interference or poor sound quality	<p>Too far from receiver.</p> <p>Obstructions between devices.</p> <p>Other 2.4G devices causing interference.</p> <p>Low battery.</p>	<p>Reduce distance to receiver (within 50ft/15m).</p> <p>Ensure clear line of sight.</p> <p>Move away from other 2.4G devices (Wi-Fi routers, etc.).</p> <p>Charge the devices.</p>
Microphone not charging	<p>Faulty cable or charger.</p> <p>Charging port issue.</p>	<p>Try a different USB cable and 5V/2A charger.</p> <p>Contact customer support.</p>

## SPECIFICATIONS

Feature	Detail
Brand	TONOR
Model Name	TW220
Connectivity Technology	2.4GHz wireless, USB
Connector Type	6.35mm jack, 3.5mm jack (with adapter)
Special Feature	Mute Function
Compatible Devices	Amplifier, Karaoke Machine, Speaker, Partybox, PA System, Mixer
Color	Black
Item Weight	340 Grams
Microphone Form Factor	Handheld
Power Source	Battery Powered
Number of Batteries	3 Lithium Metal batteries required (included)
Number of Channels	2
Item Dimensions	12.76 x 5.31 x 2.09 inches
Operating Range	Up to 50ft (15m)
Microphone Battery Life	Up to 30 hours

Feature	Detail
Receiver Battery Life	Up to 20 hours

## WARRANTY INFORMATION

---

TONOR provides a warranty for **TWO YEARS** from the date of purchase for the TW-220 wireless microphone system. Please retain your proof of purchase for warranty claims.

## CUSTOMER SUPPORT

---

If you encounter any issues or have questions regarding your TONOR 2.4G Dual Wireless Microphones, please contact TONOR customer support for assistance. Refer to the contact information provided on the official TONOR website or your purchase documentation.

For more information, visit the official TONOR store: [TONOR Store on Amazon](#)

