

[Manuals.plus](#) /

› [Hzuaneri](#) /

› Hzuaneri Space-Saving Bathroom Cabinet with Toilet Paper Holder, Model EBC63813X

Hzuaneri EBC63813X

Hzuaneri Space-Saving Bathroom Cabinet

Model: EBC63813X

[Introduction](#) [Safety Information](#) [Package Contents](#) [Assembly](#) [Features & Operation](#) [Maintenance](#) [Troubleshooting](#) [Specifications](#) [Warranty & Support](#)

1. INTRODUCTION

Thank you for choosing the Hzuaneri Space-Saving Bathroom Cabinet. This manual provides essential information for the safe assembly, operation, and maintenance of your new cabinet. Please read these instructions thoroughly before beginning assembly and retain them for future reference.



Figure 1.1: Hzueneri Space-Saving Bathroom Cabinet (Model EBC63813X)

2. SAFETY INFORMATION

Always follow these safety guidelines to prevent injury or damage to the product.

- **Read all instructions:** Ensure you understand all assembly steps before proceeding.
- **Use appropriate tools:** Only use the tools specified in the assembly instructions.
- **Assemble on a clean, flat surface:** This prevents scratching the product and ensures stability during assembly.
- **Do not overtighten fasteners:** Overtightening can damage the material.
- **Secure the cabinet:** Use the provided anti-tip kit to secure the cabinet to the wall, especially if children or pets are present. This prevents accidental tipping.
- **Keep small parts away from children:** Small components can be a choking hazard.
- **Do not overload shelves:** Distribute weight evenly and adhere to maximum weight limits (if specified in assembly guide).
- **Avoid contact with water:** While suitable for bathrooms, prolonged exposure to excessive moisture should be avoided to preserve the material.

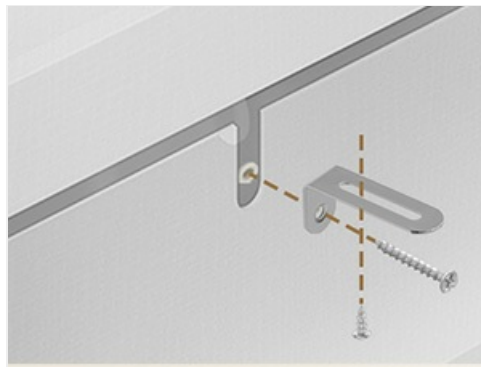


Figure 2.1: Example of anti-tip kit components for wall mounting.

3. PACKAGE CONTENTS

Before assembly, verify that all components listed below are present in your package. If any parts are missing or damaged, please contact customer support.

- 1 x Hzueneri Bathroom Cabinet (Model EBC63813X)
- 1 x Anti-tip kit
- 1 x Instruction Manual (this document)
- 1 x Bag with assembly tools and hardware

4. ASSEMBLY INSTRUCTIONS

Assembly of the Hzueneri Bathroom Cabinet is designed to be straightforward. Follow the step-by-step instructions provided in the included manual. All parts are clearly labeled to assist with identification.

1. **Unpack and inspect:** Carefully remove all components from the packaging and check for any damage or missing parts against the package contents list.
2. **Organize parts:** Lay out all panels, hardware, and tools on a clean, soft surface to prevent scratches.
3. **Follow the graphical guide:** Refer to the detailed graphical instructions provided in the separate assembly manual for each step. These instructions illustrate how to connect each component.
4. **Install anti-tip kit:** Once the cabinet is fully assembled and placed in its desired location, use the anti-tip kit to secure it to the wall. This is a critical safety step.

Note: The assembly manual included in the package contains detailed diagrams for each step. This section provides a general overview.

5. FEATURES AND OPERATION

5.1 Space-Saving Design

The cabinet features a narrow and deep structure (20 x 80 x 90 cm) to optimize horizontal space, making it ideal for smaller bathrooms. Its compact footprint ensures efficient use of space.



Figure 5.1: Compact footprint for space efficiency.

5.2 Sliding Doors

Equipped with smooth-gliding sliding doors, this cabinet requires zero protrusion space for opening. This design prevents doors from hitting walls or obstructing pathways, providing easy access even in tight spaces. The silent rail system allows for one-handed operation.



Figure 5.2: Detail of the smooth sliding door mechanism.

5.3 Integrated Toilet Paper Holder

The cabinet includes an integrated toilet paper holder, ensuring toilet paper is always within reach. This holder can be flexibly installed on either the left or right side of the cabinet to suit your bathroom layout and toilet position.

DIFFERENT MOUNTING OPTIONS

Install toilet paper holder according to your needs

1

CABINET ON THE RIGHT
SIDE OF THE TOILET



2

CABINET ON THE LEFT
SIDE OF THE TOILET

Figure 5.3: Flexible installation options for the toilet paper holder.



Figure 5.4: Detail of the integrated toilet paper holder.

5.4 Top Tray with Raised Edges

The top surface of the cabinet features a tray design with 4 cm raised edges. This design prevents items such as bath gels, aromatic diffusers, tissue boxes, and other bathroom accessories from falling off. It also provides a secure spot for temporary placement of small items like phones or watches.

TOP ENCLOSURE

Top enclosure reduces risk of falling objects



Figure 5.5: Top tray with 4 cm raised edges.

5.5 Adjustable Shelf

Behind the sliding doors, the cabinet includes an adjustable shelf. This shelf can be set at three different heights, offering flexibility to store items of various sizes, such as toilet paper rolls, toiletries, or cosmetics, helping to maintain an organized space.



ADJUSTABLE SHELF

There are three heights to choose from for the placement of the shelves, or you can also place taller items without installing the shelf.



Figure 5.6: Adjustable shelf for versatile storage.

6. MAINTENANCE

Proper care and maintenance will extend the life and appearance of your Hzueneri Bathroom Cabinet.

- **Cleaning:** Wipe surfaces with a soft, damp cloth. Avoid abrasive cleaners or harsh chemicals, as these can damage the finish.

- **Spills:** Immediately wipe up any spills to prevent moisture absorption and potential damage to the engineered wood.
- **Humidity:** While designed for bathrooms, maintain good ventilation to minimize prolonged exposure to high humidity.
- **Hardware:** Periodically check all screws and fasteners to ensure they remain tight. Retighten if necessary.

7. TROUBLESHOOTING

If you encounter any issues with your cabinet, refer to the following common solutions:

Problem	Possible Cause	Solution
Cabinet is wobbly or unstable.	Loose fasteners; uneven floor; anti-tip kit not installed.	Ensure all screws are tightened. Place shims under the feet if the floor is uneven. Install the anti-tip kit securely to the wall.
Sliding doors do not move smoothly.	Debris in the track; misaligned doors.	Clean the sliding tracks of any dust or debris. Check the assembly instructions to ensure doors are correctly installed and aligned.
Missing parts during assembly.	Packaging oversight.	Double-check all packaging materials. If parts are still missing, contact Hzueneri customer support with your model number and a list of missing components.
Damage to the surface.	Impact; abrasive cleaning; excessive moisture.	Avoid impacts. Use only soft cloths and mild cleaners. Wipe spills immediately. Minor scratches may be touched up with furniture repair pens (not included).

8. SPECIFICATIONS

Attribute	Detail
Brand	Hzueneri
Model Number	EBC63813X
Color	White
Material	Engineered Wood (Particleboard, Plywood)
Product Dimensions (D x W x H)	20 x 80 x 90 cm
Item Weight	15.7 kg
Mounting Type	Floor Standing
Number of Shelves	1 (Adjustable)
Number of Doors	1 (Sliding)
Assembly Required	Yes
Included Components	Cabinet, Anti-tip kit, Instruction Manual, Assembly tools bag

PRODUCT SIZE

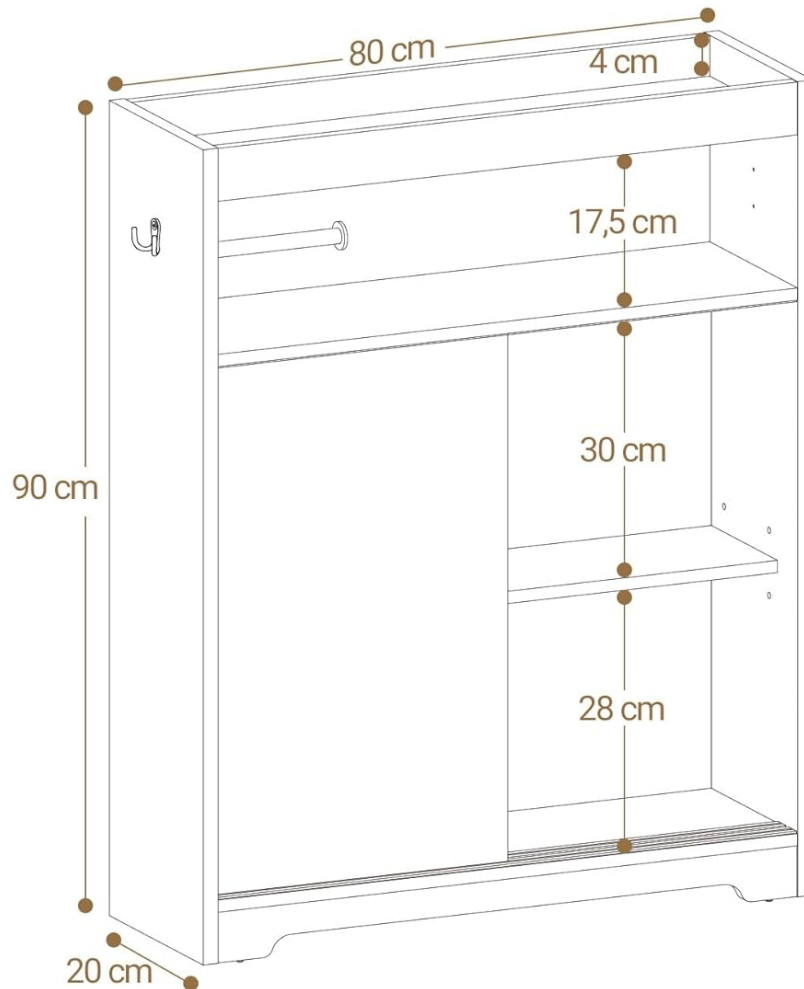
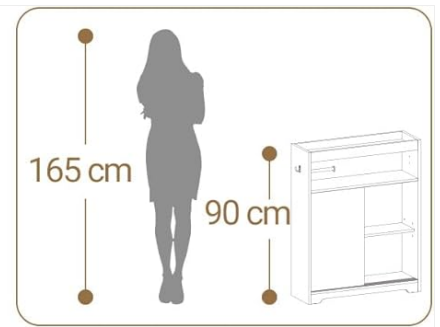


Figure 8.1: Product dimensions and internal measurements.

9. WARRANTY AND SUPPORT

9.1 Warranty Information

No specific warranty information is provided with this product. Please refer to your purchase receipt or contact the retailer for details regarding warranty coverage, if any.

9.2 Customer Support

For any questions, missing parts, or assistance with assembly, please contact Hzuaneri customer support through the retailer where you purchased the product. Provide your model number (EBC63813X) and a detailed description of your issue for prompt service.



