



[Manuals.plus](#) /

> [Brrnoo](#) /

> BRRNOO Router Table Lift User Manual (Model BRRNOOk2d1q5egym)

Brrnoo BRRNOOk2d1q5egym

BRRNOO Router Table Lift User Manual

Model: BRRNOOk2d1q5egym

1. INTRODUCTION

The BRRNOO Router Table Lift is a precision tool designed to integrate with your router table setup, providing accurate and convenient height adjustment for your router. This system enhances the versatility and precision of your woodworking projects, including milling, trimming, and chamfering operations. This manual provides essential information for the safe assembly, operation, and maintenance of your router table lift.

2. SAFETY INFORMATION

Always observe basic safety precautions when using this product to reduce the risk of injury. This router lift is an accessory for power tools; therefore, all safety guidelines provided with your router and other power tools must be strictly followed.

- **Eye Protection:** Always wear appropriate eye protection to shield against flying debris.
- **Disconnect Power:** Ensure the router is disconnected from the power source before making any adjustments, changing bits, or performing maintenance.
- **Read Router Manual:** Familiarize yourself with the operation and safety instructions of your specific router.
- **Secure Workpiece:** Always ensure your workpiece is securely clamped or held to prevent movement during operation.
- **Keep Hands Clear:** Never place hands near the router bit during operation.
- **Stable Setup:** Ensure the router table and lift system are stable and securely mounted before use.

3. PACKAGE CONTENTS

Verify that all components are present and undamaged upon unpacking.

- 1 x Woodworking Inverted Lifting Base
- 1 x Insert Plate
- 1 x Fence

- 1 x Sliding Ruler
- 2 x Washer
- 2 x Wing Nut
- 2 x Wing Nut Matching Screw
- 1 x Wrench
- 1 x Handle
- 4 x Screw



Image: All components included in the BRRNOO Router Table Lift kit.

4. SETUP

Follow these steps to assemble and install your BRRNOO Router Table Lift.

1. **Prepare Your Router Table:** Ensure your router table has an appropriate opening for the insert plate and mounting points for the lift mechanism. The mounting hole distance for the lift is approximately 70x62mm.
2. **Install the Lifting Base:** Secure the threaded support rod of the inverted lifting base onto your router table using the provided 4 mounting screws. Ensure it is firmly attached and stable.
3. **Insert the Router:** Mount your compatible router (with an outer diameter of 64-65mm) into the lifting base. Follow your router's specific instructions for mounting into a router lift or table.
4. **Place the Insert Plate:** Position the insert plate into the opening of your router table, ensuring it sits flush with the table surface.
5. **Attach the Fence and Sliding Ruler:** Secure the fence and sliding ruler to the router table as needed for your specific routing tasks. These components aid in guiding the workpiece and ensuring accurate cuts.

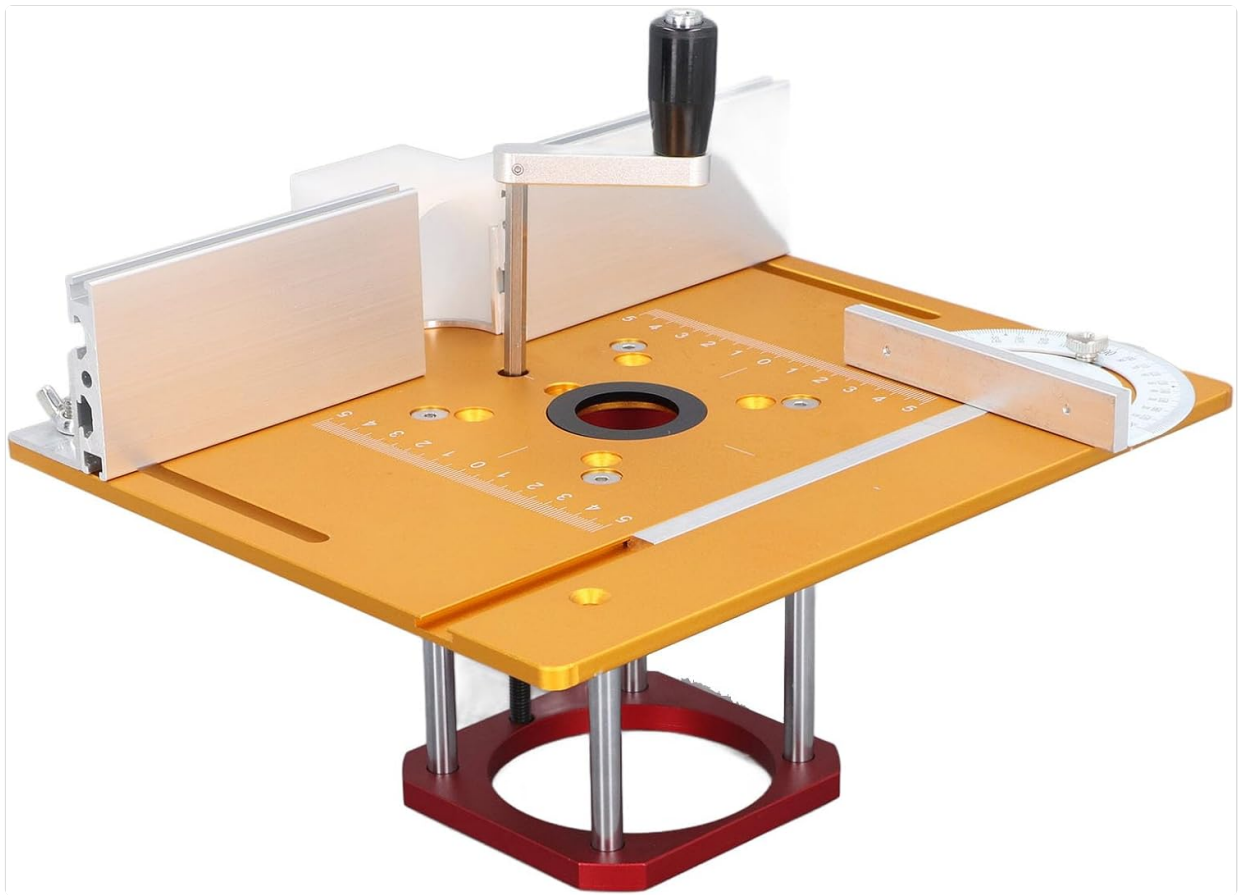


Image: The BRRNOO Router Table Lift fully assembled and ready for use.

5. OPERATING INSTRUCTIONS

This section details how to operate the router table lift for precise height adjustments.

1. **Router Compatibility:** This lift system is designed for routers with an outer diameter of 64-65mm. Ensure your router fits securely within the lifting base.
2. **Adjusting Router Height:** Use the provided handle to rotate the lifting mechanism. Turning the handle will raise or lower the router bit. The lifting range is approximately 0 to 54mm, allowing for fine adjustments to cutting depth.
3. **Using the Fence:** Position the fence to guide your workpiece accurately past the router bit. Adjust the fence distance from the bit according to your project requirements.
4. **Utilizing the Sliding Ruler:** The sliding ruler provides additional measurement and guidance for precise cuts. Use it in conjunction with the fence for repeatable results.
5. **Test Cuts:** Always perform test cuts on scrap material to verify the router bit height and fence settings before working on your final piece.

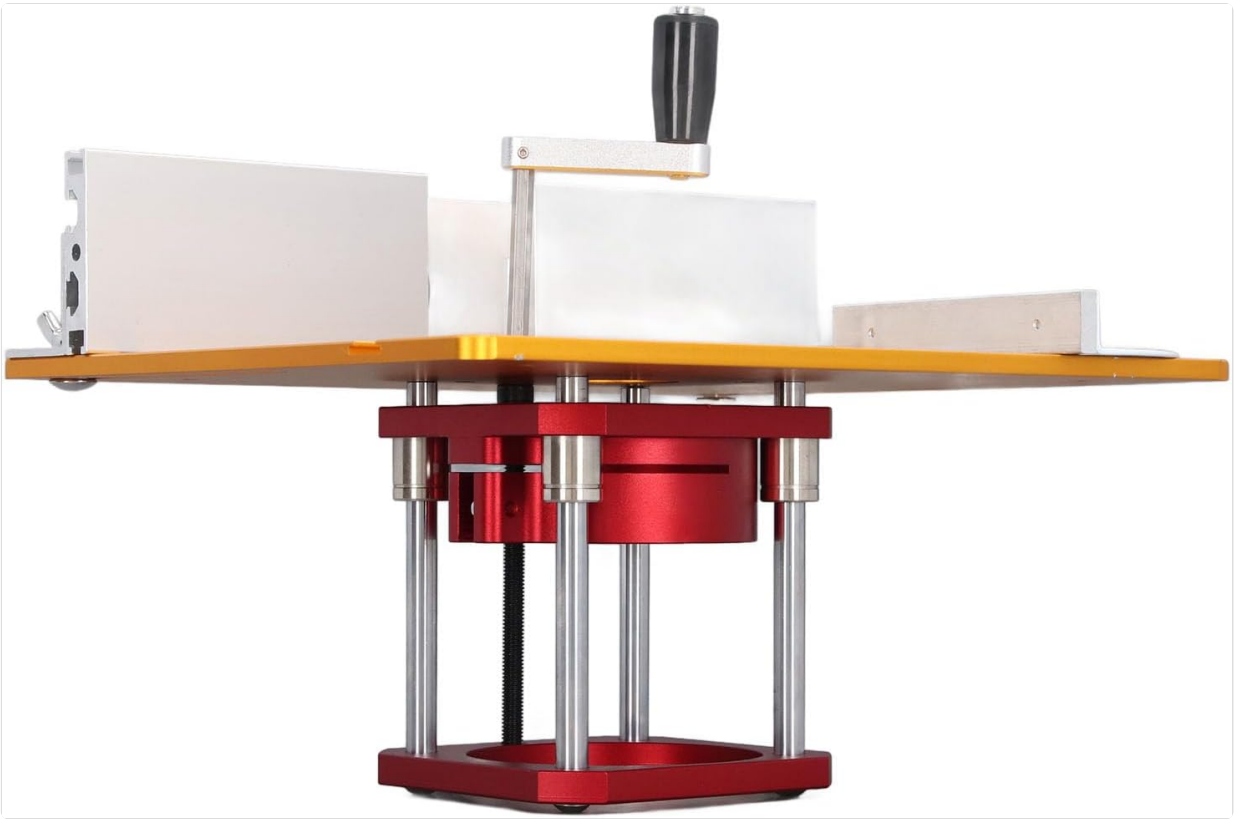


Image: Side view illustrating the lifting mechanism for precise router height adjustment.



Image: Top view showing the insert plate, integrated ruler, and fence for guiding workpieces.

6. MAINTENANCE

Regular maintenance ensures the longevity and optimal performance of your router table lift.

- **Cleaning:** After each use, clean the lift mechanism, insert plate, and fence to remove sawdust and debris. Use a dry cloth or compressed air.
- **Lubrication:** Periodically apply a light lubricant to the threaded rod and other moving parts of the lifting mechanism to ensure smooth operation. Avoid over-lubrication, which can attract dust.
- **Check Fasteners:** Regularly inspect all screws and fasteners to ensure they are tight. Tighten any loose fasteners to maintain stability and accuracy.
- **Storage:** Store the router table lift in a clean, dry environment when not in use.

7. TROUBLESHOOTING

If you encounter issues with your router table lift, refer to the following common problems and solutions.

- **Lift Mechanism is Stiff or Not Moving Smoothly:**

Solution: Clean any accumulated sawdust or debris from the threaded rod and guide rails. Apply a small amount of dry lubricant to the moving parts.

- **Router Does Not Fit Securely:**

Solution: Verify that your router's outer diameter is within the compatible range of 64-65mm. Ensure all clamping mechanisms are properly engaged.

- **Inaccurate Cuts:**

Solution: Check that the router lift is securely mounted to the table. Ensure the fence and sliding ruler are properly aligned and tightened. Verify that the router bit is sharp and correctly installed.

- **Excessive Vibration:**

Solution: Ensure all components, including the router, lift, and table, are securely fastened. Check for any loose parts.

8. SPECIFICATIONS

Feature	Specification
Model Number	BRRNOOK2d1q5egym
Material	Aluminum Alloy (main body), Stainless Steel (support rod)
Mounting Hole Distance	Approx. 70x62mm / 2.8x2.4in
Lifting Range	Approx. 0-54mm / 0-2.1in
Compatible Router Outer Diameter	64-65mm
Item Weight	3.79 pounds
Package Dimensions	10.63 x 8.27 x 7.87 inches

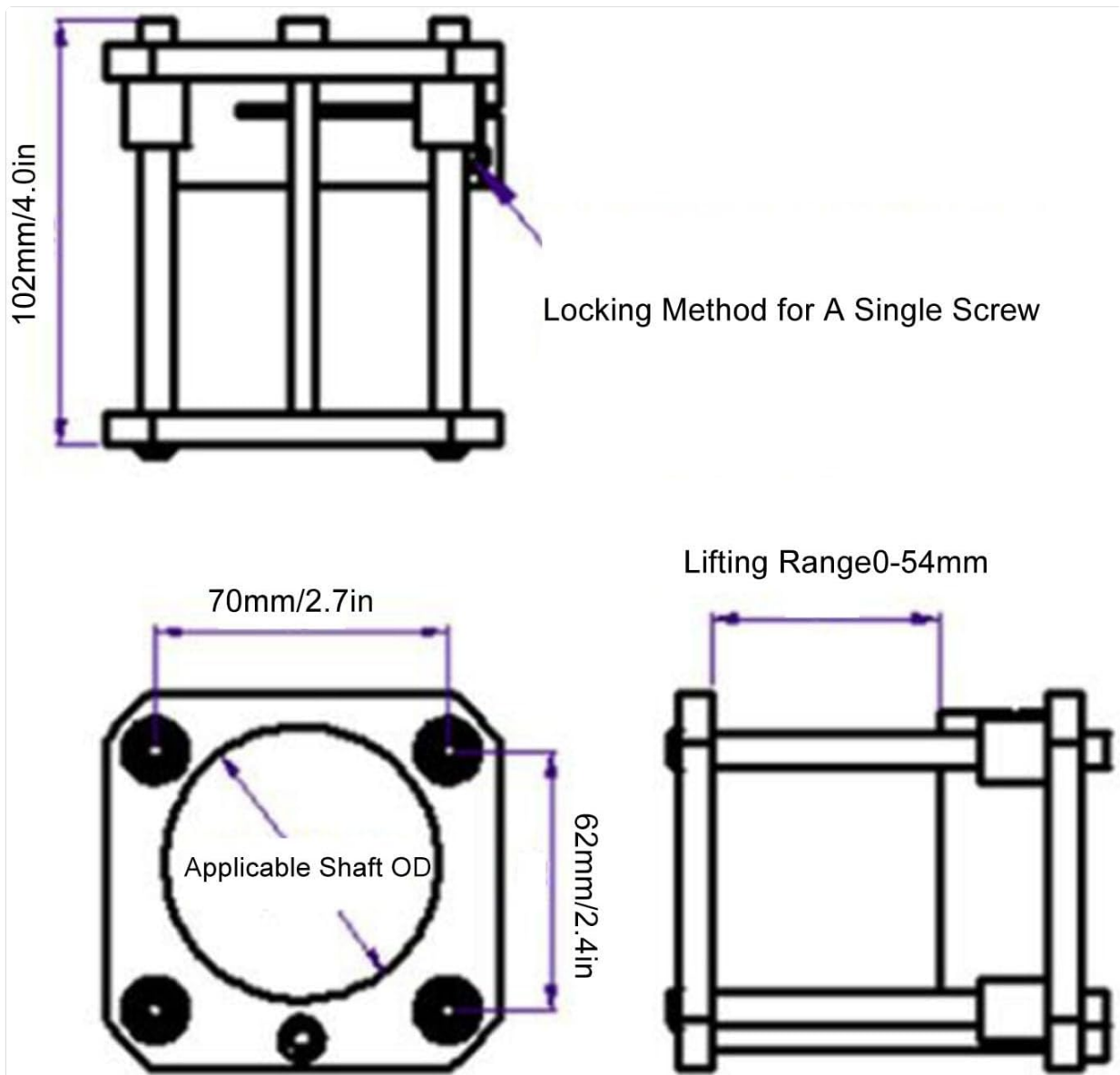


Image: Technical drawing with key dimensions and lifting range.

9. WARRANTY INFORMATION

Specific warranty terms and conditions for the BRRNOO Router Table Lift may vary. Please refer to the retailer's website where the product was purchased or the official BRRNOO manufacturer's website for detailed warranty information, including coverage period and claim procedures.

10. SUPPORT

For technical assistance, product inquiries, or to report any issues, please contact BRRNOO customer support. Contact information can typically be found on the official BRRNOO website or through the retailer from whom you purchased the product.