

Manuals.plus /

› VINGLI /

› VINGLI Wooden Planter with Trellis Instruction Manual

VINGLI VL-WoodenPlanter-Wheel-1

VINGLI Wooden Planter with Trellis Instruction Manual

Model: VL-WoodenPlanter-Wheel-1

1. INTRODUCTION

Thank you for choosing the VINGLI Wooden Planter with Trellis. This manual provides essential information for the safe assembly, operation, and maintenance of your new elevated garden bed. Please read these instructions carefully before use and retain them for future reference.

This planter is designed to provide a versatile and attractive solution for growing various plants, vegetables, fruits, and herbs in outdoor spaces such as gardens, patios, and balconies. It features a deep planter box, an integrated trellis, drainage holes, and wheels for easy mobility.

2. SAFETY INFORMATION

- **Assembly:** Ensure all parts are correctly assembled and tightened according to the instructions. Do not overtighten screws to avoid damaging the wood.
- **Placement:** Place the planter on a level, stable surface to prevent tipping.
- **Weight Capacity:** Do not exceed the maximum load capacity of 110 pounds (50 kg) for the planter box. Overloading can compromise stability and structural integrity.
- **Mobility:** When moving the planter, ensure the casters are unlocked. Lock the casters once the planter is in its desired position to prevent accidental movement.
- **Children and Pets:** Keep children and pets away from the planter during assembly. Ensure climbing plants on the trellis are non-toxic if children or pets are present.
- **Weather Conditions:** While the wood is weather-resistant, extreme weather conditions (e.g., strong winds) may require additional securing or relocation to a sheltered area.

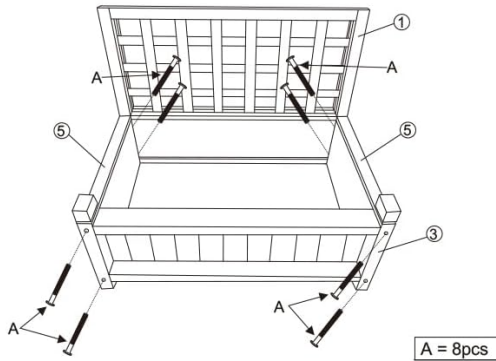
3. PACKAGE CONTENTS

Before assembly, verify that all components are present and undamaged. If any parts are missing or damaged, please contact customer support.

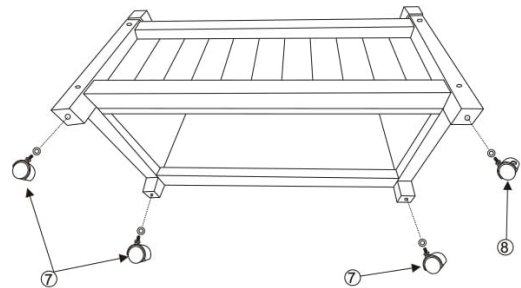
Easy quick Assembly

Pre-Drilled Holes, All Hardware Included, No Special Tools Required

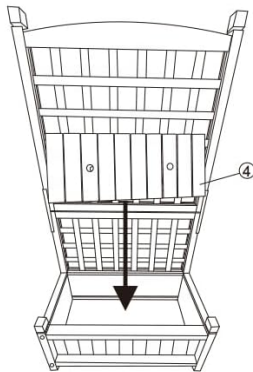
STEP.1



STEP.2



STEP.4



STEP.3

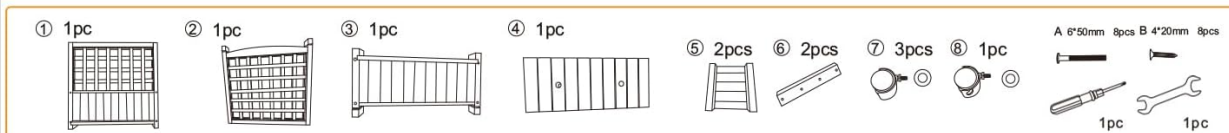
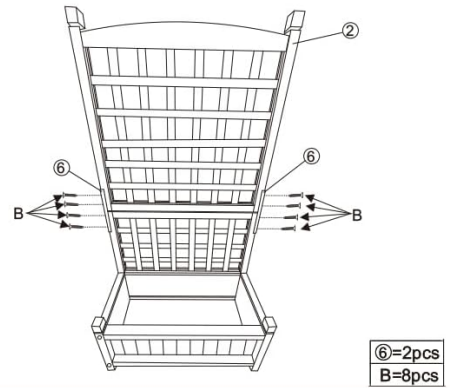


Image: Assembly diagram showing all components and hardware.

- **Part 1:** Trellis Top Panel (1 pc)
- **Part 2:** Trellis Bottom Panel (1 pc)
- **Part 3:** Planter Front Panel (1 pc)
- **Part 4:** Planter Back Panel (1 pc)
- **Part 5:** Planter Side Panels (2 pcs)
- **Part 6:** Planter Base Slats (2 pcs)
- **Part 7:** Wheels (3 pcs)
- **Part 8:** Wrench (1 pc)
- **Hardware A:** Screws for wood assembly (8 pcs)
- **Hardware B:** Screws for base slats (8 pcs)

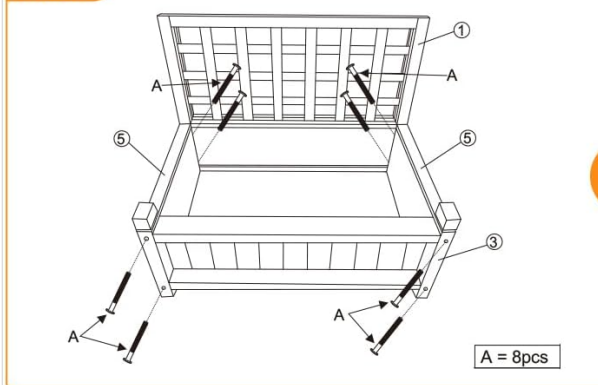
4. SETUP AND ASSEMBLY

Assembly is designed to be straightforward with pre-drilled holes and all necessary hardware included. No special tools are required beyond the provided wrench.

Easy quick Assembly

Pre-Drilled Holes, All Hardware Included, No Special Tools Required

STEP.1



STEP.2



STEP.4



STEP.3

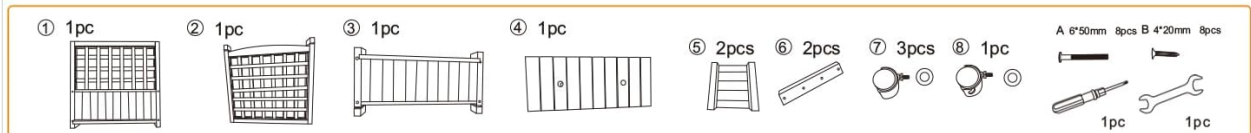
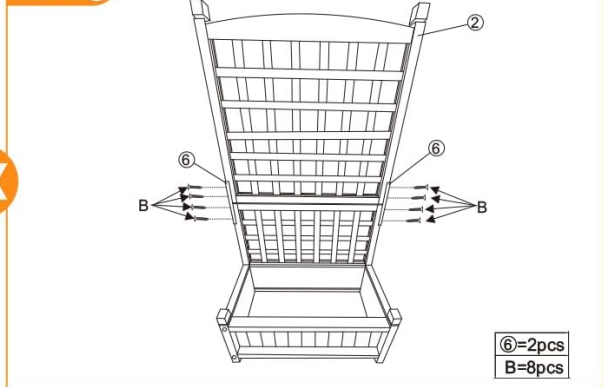


Image: Step-by-step assembly instructions.

- Step 1: Assemble the Planter Box Frame.** Attach the planter front panel (3) and back panel (4) to the side panels (5) using Hardware A (8 pcs). Ensure the pre-drilled holes align and tighten securely.
- Step 2: Attach the Wheels.** Screw the three wheels (7) into the designated holes on the bottom of the assembled planter box frame. Use the provided wrench (8) to tighten them firmly.
- Step 3: Insert the Trellis Panels.** Slide the trellis bottom panel (2) into the grooves on the inside of the planter box. Then, slide the trellis top panel (1) into the upper grooves, ensuring it connects securely with the bottom panel.
- Step 4: Install the Base Slats.** Place the two planter base slats (6) into the bottom of the planter box. Secure them using Hardware B (8 pcs) to create the base for the soil.

Once all steps are completed, ensure all connections are stable before filling the planter.

5. OPERATING INSTRUCTIONS

5.1 Planting



Image: Deep planter box for healthy root growth.

- The planter features a deep box design (approximately 8 inches / 20 cm deep) to accommodate a substantial amount of soil, promoting strong root development.
- Fill the planter with appropriate potting mix for your chosen plants. Do not exceed the maximum load capacity of 110 pounds (50 kg).
- The integrated drainage holes at the bottom of the planter prevent waterlogging and ensure proper aeration for plant roots.
- Utilize the trellis for climbing plants such as tomatoes, peas, cucumbers, or flowering vines. Gently guide the plant stems through the trellis grid as they grow.

5.2 Mobility and Placement

VINGLI | *Perfect Size* for Patio, Porch & Garden



Image: Planter dimensions and wheel detail.

- The planter is equipped with wheels, allowing for easy relocation to optimize sun exposure, provide shade, or facilitate cleaning.
- To move the planter, unlock the casters by flipping the lever on each wheel.
- Once the planter is in its desired location, lock the casters to ensure stability during planting, watering, and growth.
- The trellis can also serve as a decorative screen to enhance privacy or conceal unsightly areas like AC units or wall imperfections.

6. MAINTENANCE



Weather-Resistant Solid Wood You Can Trust



Selected fir wood with natural grain



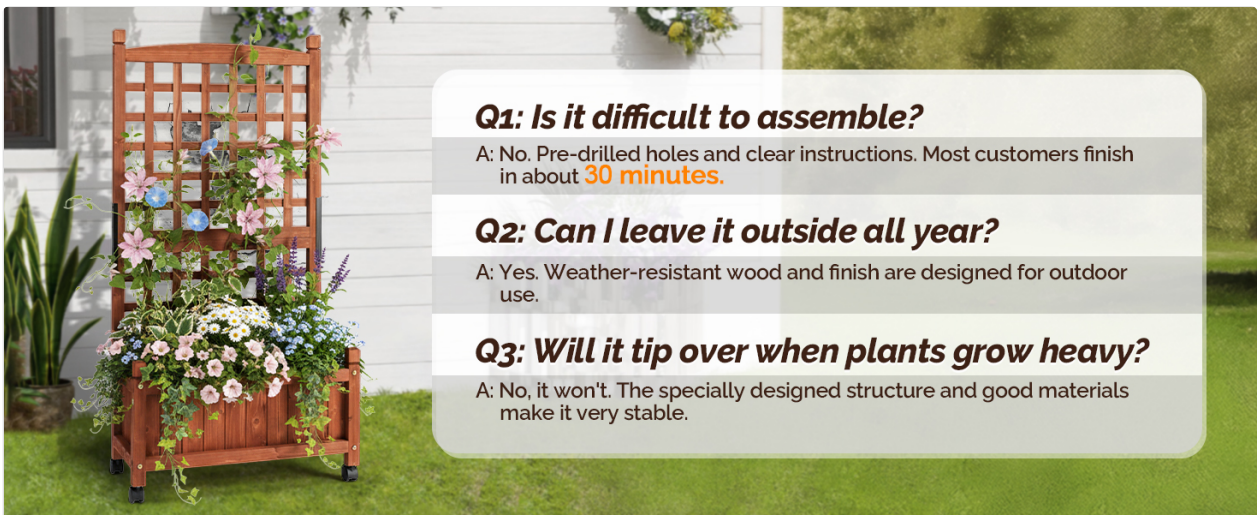
Protective finish for outdoor use.

- Resists warping
- Resists cracking
- Resists fading

Image: Weather-resistant solid wood construction.

- **Cleaning:** Wipe down the wooden surfaces with a damp cloth to remove dirt and debris. Avoid harsh chemicals that may damage the wood finish.
- **Wood Care:** The planter is constructed from fir wood with a protective, weather-resistant finish designed for outdoor use. This finish helps resist warping, cracking, and fading.
- **Seasonal Inspection:** Periodically inspect the planter for any signs of wear, loose screws, or damage. Tighten any loose hardware as needed.
- **Winter Storage (Optional):** While designed for outdoor use year-round, storing the planter in a sheltered area during harsh winter conditions can extend its lifespan.

7. TROUBLESHOOTING



Q1: Is it difficult to assemble?

A: No. Pre-drilled holes and clear instructions. Most customers finish in about **30 minutes**.

Q2: Can I leave it outside all year?

A: Yes. Weather-resistant wood and finish are designed for outdoor use.

Q3: Will it tip over when plants grow heavy?

A: No, it won't. The specially designed structure and good materials make it very stable.

Image: Frequently Asked Questions about the planter.

- **Q: Is the planter difficult to assemble?**
A: No. The planter features pre-drilled holes and clear instructions. Most users can complete assembly in approximately 30 minutes.
- **Q: Can I leave the planter outside all year?**
A: Yes. The weather-resistant wood and finish are specifically designed for continuous outdoor use.
- **Q: Will the planter tip over when plants grow heavy?**
A: No, it will not. The specially designed structure and robust materials ensure excellent stability, even with heavy plant growth.

- **Q: What if water is not draining properly?**

A: Ensure the drainage holes at the bottom of the planter are not blocked by soil or debris. You may need to gently clear them.

- **Q: The wheels are not locking/unlocking correctly.**

A: Check for any obstructions around the wheel mechanism. Ensure the locking lever is fully engaged or disengaged.

8. SPECIFICATIONS

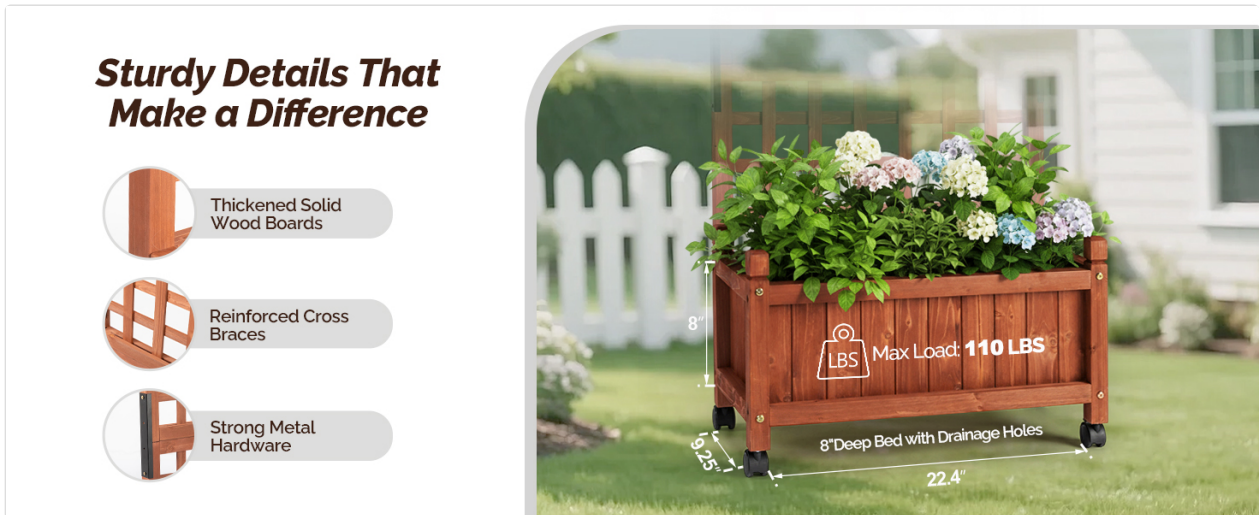


Image: Sturdy details and dimensions of the planter.

Feature	Detail
Model Number	VL-WoodenPlanter-Wheel-1
Brand	VINGLI
Material	Fir Wood
Color	Brown
Overall Dimensions (D x W x H)	13" x 50" x 50" (33 cm x 127 cm x 127 cm)
Planter Box Depth	8" (20 cm)
Weight Capacity	110 lbs (50 kg)
Special Features	Drainage Hole, Lightweight, Portable (with wheels)
Included Components	Trellis, Wheels
Mounting Type	Floor Standing
Indoor/Outdoor Usage	Indoor, Outdoor

9. WARRANTY AND SUPPORT

VINGLI products are manufactured to high-quality standards. While specific warranty details are not provided in this manual, please retain your proof of purchase. For any questions, concerns, or assistance with your VINGLI Wooden Planter with Trellis, please contact VINGLI customer support through the retailer where the

product was purchased or visit the official VINGLI website for contact information.