

[Manuals.plus](#) /

› [Ball & Cast](#) /

› Ball & Cast Full Size Bed Frame Instruction Manual

Ball & Cast Full Size Bed Frame

Ball & Cast Full Size Bed Frame Instruction Manual

Model: Full Size Bed Frame

IMPORTANT SAFETY INFORMATION

Careful around sharp edges during assembly. Do not load more than 500 pounds. Always follow assembly instructions to prevent instability or collapse. Failure to adhere to these guidelines may result in injury or product damage.

PRODUCT OVERVIEW

The Ball & Cast Full Size Bed Frame is a modern platform bed designed for comfort and durability. Constructed from pine wood, MDF, and plywood, it features a natural, wear-resistant coating. This bed frame offers 8.5 inches of under-bed storage space and is designed to support a maximum weight capacity of 500 pounds. It includes reliable wooden slats, eliminating the need for a box spring, and is compatible with various mattress types such as latex, memory foam, or traditional spring mattresses.



Image: Fully assembled Ball & Cast Full Size Bed Frame with a headboard, shown in a bedroom environment with bedding.

SPECIFICATIONS

Size	Full
Material	Pine Wood, MDF, Plywood
Product Dimensions (L x W x H)	78.4" x 58" x 42.3"
Weight Capacity	500 lbs
Under-bed Storage Height	8.5 inches
Box Spring Required	No
Recommended Mattress Thickness	10 inches
Assembly Required	Yes

PACKAGE CONTENTS

Please ensure all components are present before beginning assembly. Refer to the detailed parts list in your included installation manual for specific quantities.

- Headboard
- Footboard
- Side Rails (2)
- Wood Slats
- Center Support Legs
- Hardware Pack (screws, bolts, washers, Allen wrench)
- Installation Manual

SETUP AND ASSEMBLY INSTRUCTIONS

Assembly requires two individuals and can be completed in approximately 30 minutes. Ensure all parts are present and undamaged before beginning. Use the provided Allen wrench and hardware. Do not overtighten screws.

1. **Unpack and Identify Parts:** Carefully unpack all components from the packaging. Lay them out on a clean, soft surface to prevent scratches. Compare all parts against the included parts list in your manual to ensure everything is accounted for.
2. **Attach Side Rails to Headboard:** Connect the side rails to the headboard using the designated bolts and washers from the hardware pack. Hand-tighten initially.
3. **Attach Side Rails to Footboard:** Connect the other end of the side rails to the footboard, securing with the appropriate hardware. Ensure the frame is square before fully tightening all bolts.
4. **Install Center Support Beam and Legs:** Attach the center support beam to the designated points on the side rails. Secure the center support legs to the beam. Adjust leg height if necessary to ensure even support.
5. **Place Wood Slats:** Evenly distribute the wooden slats across the bed frame. Secure each slat to the side rails using the provided screws, ensuring they are firmly in place. This provides the necessary support for your mattress.
6. **Final Tightening:** Once all components are in place, go back and fully tighten all bolts and screws using the Allen wrench. Do not overtighten.

Full size: inch

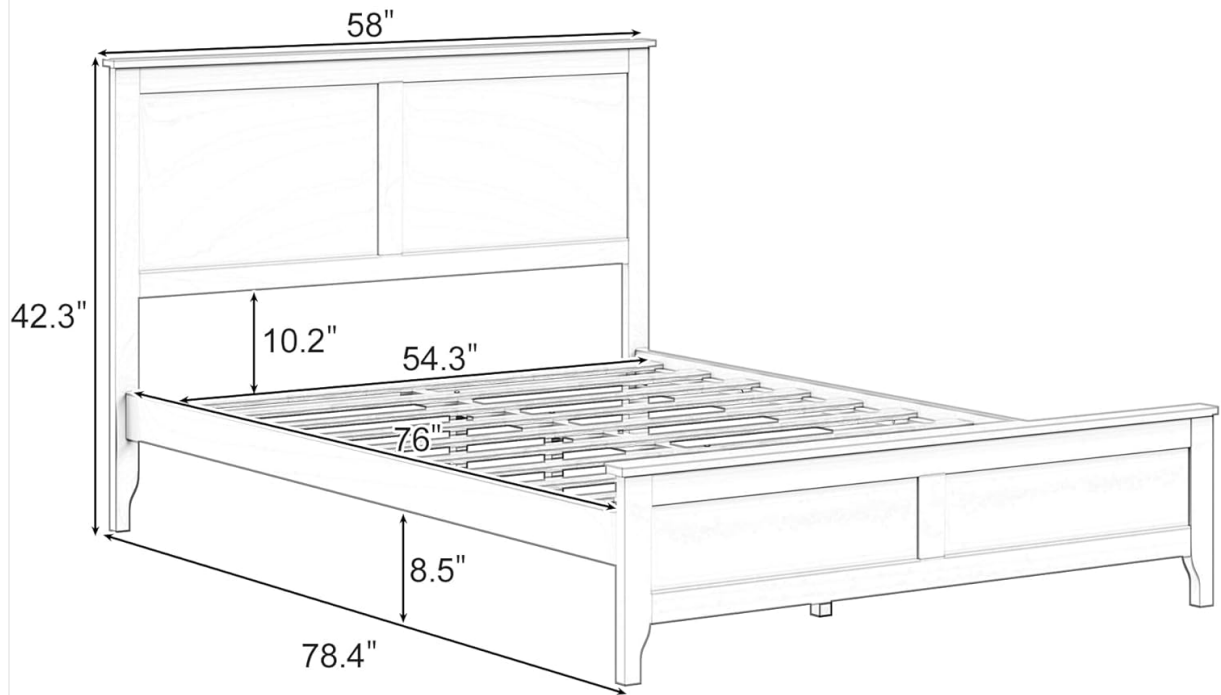


Image: Detailed dimensions of the Full Size Bed Frame, including length, width, height, and under-bed clearance, to assist with space planning.



Image: Front view of the bed frame, showcasing the headboard and footboard design, with slats visible for mattress support.



Image: Side view of the bed frame, highlighting the side rails and the robust slat support structure.



Image: Angled view of the bed frame, providing a comprehensive look at the frame's construction and slat system from a different perspective.

OPERATING INSTRUCTIONS

Once assembled, place your full-size mattress directly onto the wooden slats. No box spring is required. Ensure the mattress is centered and evenly distributed on the frame. The bed frame is designed to support a maximum weight of 500 pounds, including the mattress and occupants. Avoid exceeding this weight limit to prevent damage and ensure safety. The 8.5 inches of under-bed clearance can be utilized for storage, helping to keep your bedroom tidy.

MAINTENANCE

To maintain the appearance and structural integrity of your bed frame, follow these guidelines:

- **Cleaning:** Wipe the frame with a soft, damp cloth. Avoid harsh chemicals, abrasive cleaners, or polishes, as these can damage the finish.
- **Regular Checks:** Periodically (e.g., every 3-6 months) check all bolts and screws to ensure they remain tight. Re-tighten if necessary to prevent wobbling or noise.
- **Weight Distribution:** Ensure weight is evenly distributed across the bed frame. Avoid standing or jumping on the bed, as this can stress the frame and slats.
- **Environmental Conditions:** Keep the bed frame in a stable environment, away from extreme humidity, direct sunlight, or excessive heat, which can affect wood integrity and finish.

TROUBLESHOOTING

- **Squeaking or Noise:** If the bed frame makes noise, check all connections and tighten any loose bolts or screws. Ensure slats are properly seated and not rubbing against the frame. Applying felt pads or a thin cloth between contact points can sometimes help.
- **Instability/Wobbling:** Verify that all legs are firmly on the ground and that the frame is assembled correctly according to the instructions. Re-tighten all hardware. Ensure the floor surface is even.
- **Damaged Parts:** If any parts are damaged upon arrival or during assembly, do not proceed with assembly. Contact customer support for replacement parts.

WARRANTY AND SUPPORT

This product is subject to a 30-day free return policy for refunds or replacements through Amazon. For specific warranty information or to report missing/damaged parts, please refer to the documentation included with your product or contact Ball & Cast customer support directly. Contact information can typically be found on the manufacturer's website or within the product packaging.