



[Manuals.plus](#) /

› [Vallecloud](#) /

› Vallecloud 1 Inch Overlay Soft Close Cabinet Hinges User Manual

Vallecloud B0GK66FJBZ

Vallecloud 1 Inch Overlay Soft Close Cabinet Hinges User Manual

Model: B0GK66FJBZ

PRODUCT OVERVIEW

These Vallecloud 1 Inch Overlay Soft Close Cabinet Hinges are designed for face frame cabinet doors, providing a quiet and smooth closing mechanism. They are suitable for replacing existing hinges or for new installations, offering 3-way adjustment for precise door alignment.



Image: A VallecCloud 1 Inch Overlay Soft Close Cabinet Hinge installed on a cabinet door, shown in the closed position.

SETUP AND INSTALLATION

Before installation, ensure you have the correct overlay size for your cabinet doors. These hinges are specifically designed for face frame cabinet doors.

Understanding Overlay Size

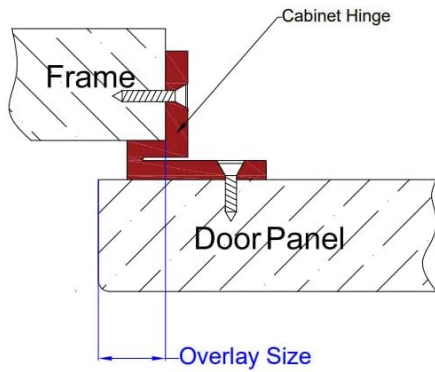
Overlay size refers to the distance the cabinet door overlaps the cabinet frame on the hinge side. It is crucial to measure this accurately for proper hinge selection and installation. This measurement applies only to face frame cabinets, not frameless cabinets.

Size: 1 Inch Overlay



Image: A detailed diagram showing the dimensions of the hinge and its placement on a cabinet, indicating a 1-inch overlay.

What's Cabinet Overlay Size



Overlay size is the distance between the edge of face frame and cabinet door.

Overlay size should be measured on face frame at the hinge side.

Overlay size is for cabinet with face frame, not for frameless cabinet.

How to Measure Cabinet Overlay size

Step 1



Close cabinet door. Measure overlay size at the side with hinges. Place a tape along the edge of cabinet door

Step 2



Place the 2nd tape along the edge of face frame.

Step 3



Measure the distance between the edge of two tapes. In the case, Overlay size is 1/2 inch. But, your cabinet overlay size could be 1-1/4 inch, 3/4 inch, 1 inch,

Please check the product video for the details.
Or, you could search "How to measure Cabinet Overlay Size" or "How to install concealed overlay hinges" in youtube. You could find many better instruction videos.

Image: A diagram illustrating how to measure the overlay size for a cabinet door on a face frame cabinet. It shows the door panel, frame, and the overlay dimension.

Measuring Cabinet Overlay Size

- Step 1:** Close the cabinet door. Place a piece of tape along the edge of the cabinet door on the hinge side.
- Step 2:** Open the cabinet door. Place a second piece of tape along the edge of the face frame, aligning it with the first tape.
- Step 3:** Measure the distance between the two pieces of tape. This measurement is your cabinet overlay size.

For a visual guide on measuring overlay size, please refer to the videos below:

Your browser does not support the video tag.

Video: A detailed guide on how to measure the overlay size for cabinet hinges, provided by Vallecoud.

Your browser does not support the video tag.

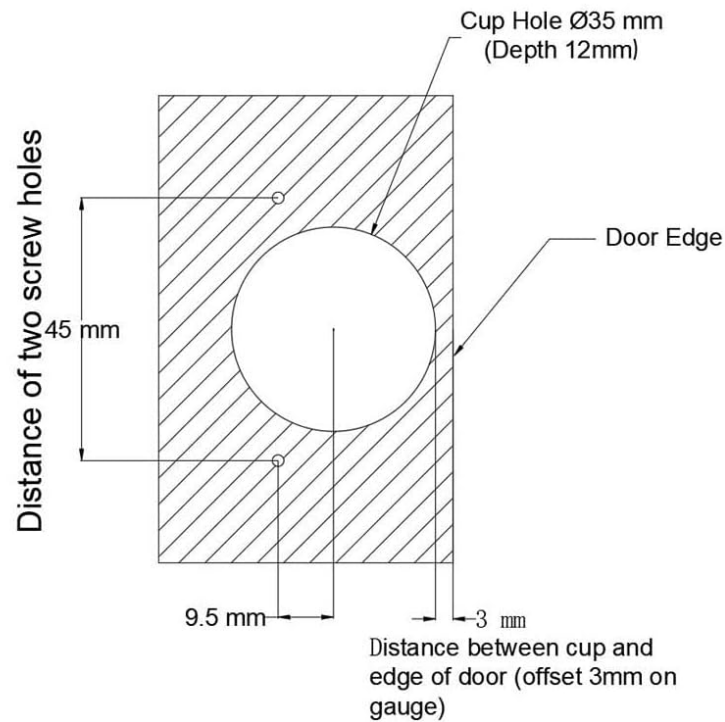
Video: An instructional video from Vallecoud demonstrating how to measure overlay size for concealed hinges.

Hinge Specifications for Installation

- **Cup Diameter:** 35mm

- **Screw Holes Distance:** 45mm
- **Door Opening Angle:** 105 degrees

Match old hinge pattern, Easy to install



Perfect for old hinges replacement and upgrade

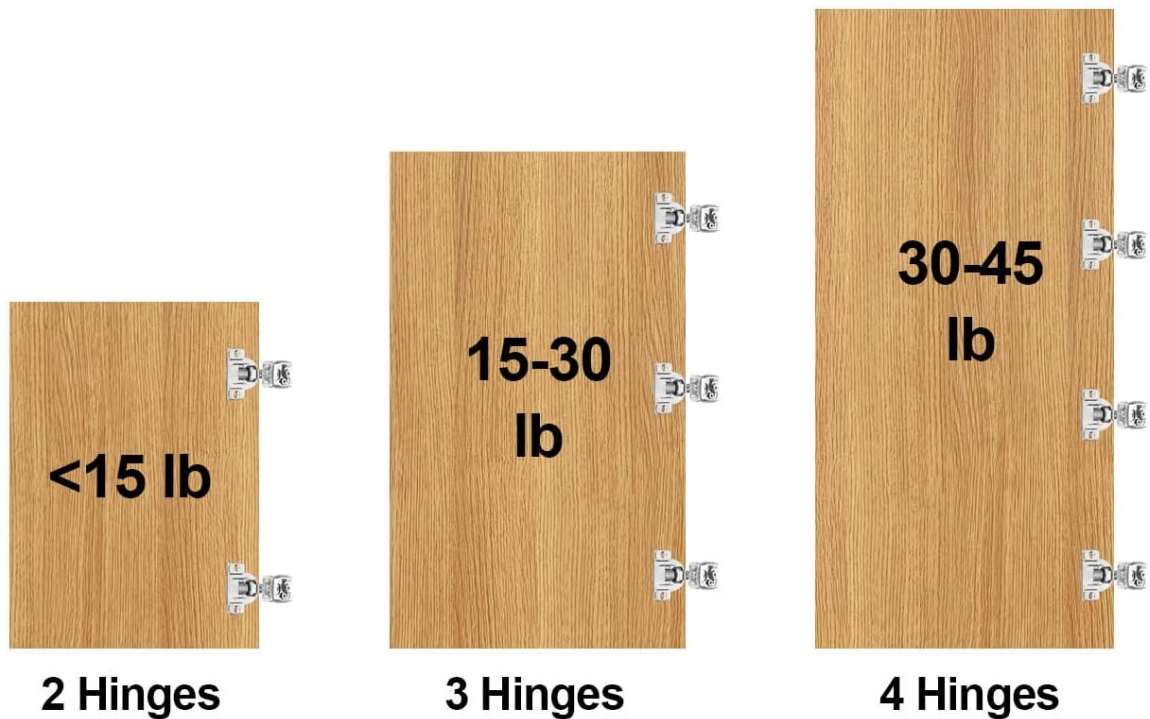
Image: A technical diagram detailing the required cup hole diameter (35mm) and screw hole distance (45mm) for hinge installation, along with the distance between the cup and the door edge.

These hinges are designed to match common old hinge patterns, making them suitable for replacement. Using concealed hinge jigs can simplify the installation process.

Number of Hinges Required per Door

The number of hinges needed depends on the weight of your cabinet door. Generally, two hinges are sufficient for most standard cabinet doors.

Number of Hinges per Door Weight



Note: Two hinges are usually strong enough for one cabinet door.

Image: A visual chart recommending the number of hinges (2, 3, or 4) to use based on the cabinet door's weight, with categories for less than 15 lb, 15-30 lb, and 30-45 lb.

OPERATING AND ADJUSTMENT

These hinges feature a 3-way adjustment mechanism, allowing you to fine-tune the position of your cabinet door after installation. Use a screwdriver to rotate the cam screws for precise adjustments.

3 Way Adjustment by Screwdriver

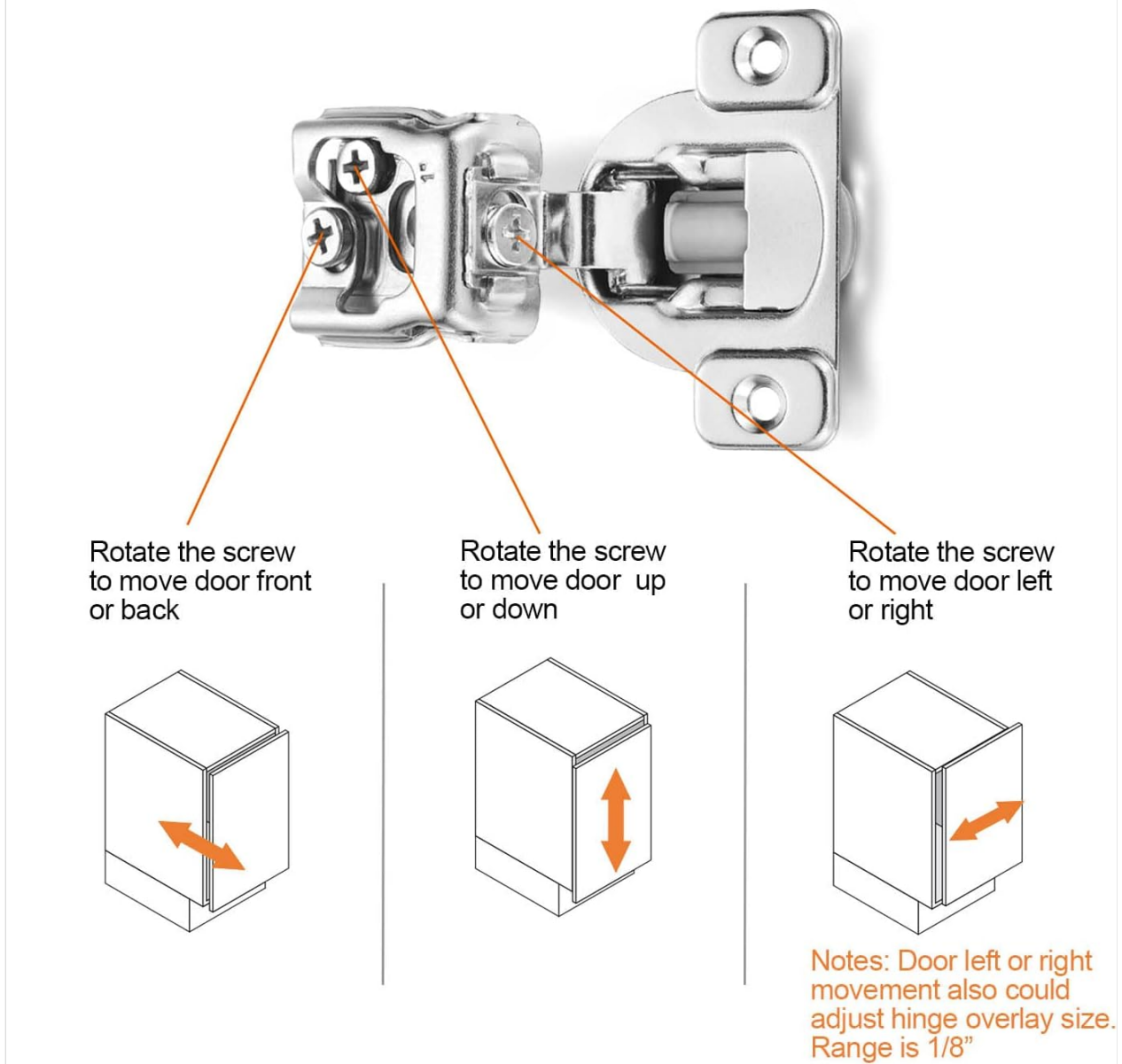


Image: A diagram illustrating the three adjustment screws on the hinge and their corresponding movements: front/back, up/down, and left/right. The left/right movement can also fine-tune the hinge overlay size within a 1/8 inch range.

- **Front/Back Adjustment:** Rotate the screw closest to the cabinet door to move the door closer to or further from the cabinet frame.
- **Up/Down Adjustment:** Rotate the middle screw to adjust the vertical position of the cabinet door.
- **Left/Right Adjustment:** Rotate the screw furthest from the cabinet door to adjust the horizontal position. This adjustment can also fine-tune the hinge overlay size within a 1/8 inch range.

The soft-close mechanism ensures that cabinet doors close quietly without slamming.

UPGRADE YOUR CABINET NO SLAMMING PROBLEM



Image: Two Vallecoud soft close hinges are shown floating above a modern kitchen setting, emphasizing the "no slamming problem" feature.

MAINTENANCE

To ensure the longevity and smooth operation of your Vallecoud cabinet hinges, follow these simple maintenance guidelines:

- **Cleaning:** Wipe the hinges periodically with a soft, damp cloth to remove dust and grime. Avoid abrasive cleaners or harsh chemicals, as these can damage the brushed nickel finish.
- **Lubrication:** If the hinges begin to squeak or feel stiff, apply a small amount of silicone-based lubricant to the pivot points. Do not use oil-based lubricants, as they can attract dust and dirt.
- **Tightening Screws:** Periodically check all mounting screws and adjustment screws to ensure they are tight. Loose screws can affect door alignment and hinge performance.

TROUBLESHOOTING

Here are solutions to common issues you might encounter with your cabinet hinges:

- **Door Not Closing Properly or Uneven:**

Use the 3-way adjustment screws (as described in the "Operating and Adjustment" section) to realign the door. Adjust the up/down, left/right, and front/back screws until the door is flush and closes smoothly.

- **Hinges Squeaking:**

Apply a small amount of silicone-based lubricant to the hinge pivot points. Ensure the lubricant is suitable for metal hardware.

- **Soft-Close Function Not Working:**

Check if the hinge is properly installed and all screws are tightened. Ensure no debris is obstructing the soft-close mechanism. If the issue persists, the hinge may need replacement.

- **Door Sagging:**

This often indicates loose mounting screws. Tighten all screws securing the hinge to both the door and the cabinet frame. If the door is heavy, consider adding an additional hinge as per the "Number of Hinges Required per Door" guidelines.

SPECIFICATIONS

Feature	Detail
Brand	Vallecloud
Model Number	B0GK66FJBZ
Material	Steel
Finish Type	Brushed Nickel
Mounting Type	Flush Mount
Overlay Size	1 Inch Overlay
Cup Diameter	35mm
Screw Holes Distance	45mm
Door Opening Angle	105 degrees
Unit Count	2.0 Count (per pack)

WARRANTY AND SUPPORT

Specific warranty information is not provided in the product details. For any questions regarding product warranty, technical support, or assistance with installation, please contact Vallecloud customer service through the retailer where the product was purchased.

