

Garvee B0GJSC11NV

Garvee 12 FT T-shaped Hammock Stand Instruction Manual

Model: B0GJSC11NV

INTRODUCTION

Thank you for choosing the Garvee 12 FT T-shaped Hammock Stand. This stand is designed for outdoor use, providing a stable and comfortable support for most hammocks. Constructed from heavy-duty steel, it offers durability and can support up to 450 pounds. This manual provides essential information for safe assembly, operation, and maintenance of your hammock stand.

SAFETY INFORMATION

- **Weight Capacity:** Do not exceed the maximum weight capacity of 450 pounds (approximately 204 kg). Overloading can cause structural failure and injury.
- **Stable Surface:** Always set up the hammock stand on a flat, level, and stable surface to prevent tipping. Avoid uneven ground, slopes, or soft soil.
- **Regular Inspection:** Before each use, inspect all components for wear, damage, or loose connections. Do not use the stand if any part is compromised.
- **Children and Pets:** Keep children and pets away from the stand during assembly and ensure they are supervised when near the hammock.
- **Proper Hammock Attachment:** Ensure your hammock is securely attached to the provided hooks and chains. Follow your hammock's instructions for proper hanging.
- **Avoid Swinging:** Excessive swinging or aggressive movements in the hammock can destabilize the stand.

PACKAGE CONTENTS

Verify that all components are present before beginning assembly:

- Main steel frame components (base bars, uprights, crossbar)
- Metal hooks
- Chains for hammock attachment

- Non-slip foot pads
- Carrying bag (for storage and transport)

SETUP AND ASSEMBLY

The Garvee Hammock Stand is designed for quick and effortless assembly without the need for additional tools. Follow these steps:

1. **Unpack Components:** Carefully remove all parts from the packaging and lay them out on a clean, flat surface.
2. **Assemble Base:** Connect the horizontal base bars. The pieces are designed to slide together and secure with thumb screws.
3. **Attach Uprights:** Insert the upright support poles into the designated slots on the base. Ensure they are fully seated and secured.
4. **Connect Crossbar:** Attach the top crossbar between the two uprights.
5. **Install Hooks and Chains:** Secure the metal hooks and chains to the top ends of the uprights.
6. **Verify Stability:** Once assembled, gently shake the stand to ensure all connections are tight and the structure is stable.



Figure 1: Quick and effortless assembly steps. Components slide together and are secured.

PRODUCT SIZE

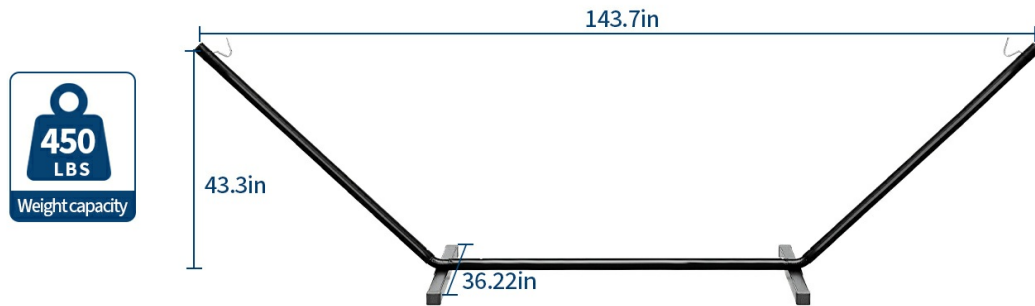


Figure 2: A person demonstrating the quick and easy assembly process of the hammock stand.

OPERATING INSTRUCTIONS

To use your Garvee Hammock Stand:

- Place Hammock:** Attach your hammock to the hooks and chains provided on the stand. Adjust the chains to achieve your desired hammock height and tension. Ensure the hammock is centered and balanced.
- Test Stability:** Before full use, gently sit in the hammock to test its stability and ensure it is securely attached and balanced.
- Enter and Exit Safely:** Enter and exit the hammock slowly and carefully. Avoid jumping into or out of the hammock.
- Weight Distribution:** Distribute weight evenly when using the hammock, especially if two people are using it.

2 PERSON HAMMOCK STAND

✓ Safe & Reliable Design 🛠️ Premium Material Selection 🏋️ 450 LBS Weight Capacity



*Hammock not included



Non-slip Floor Mat
Protects Indoor Floors



Heavy-Duty Metal Hooks

Figure 3: The hammock stand comfortably accommodates two people, with a 450 lbs weight capacity.

Sturdy and durable metal hooks

**450
LBS**
Max Load



Figure 4: Detail of the sturdy metal hooks and chains, designed to support up to 450 lbs.

MAINTENANCE

Proper maintenance will extend the life of your Garvee Hammock Stand:

- **Cleaning:** Wipe down the steel frame with a damp cloth and mild soap as needed. Avoid abrasive cleaners that could damage the powder-coated finish.
- **Rust Prevention:** The stand features a weather-resistant black finish to resist rust and corrosion. However, for prolonged outdoor exposure, especially in harsh conditions, consider covering the stand or storing it indoors when not in use.
- **Storage:** When storing the stand for extended periods, disassemble it and place all components in the provided carrying bag. Store in a dry, protected area to prevent damage.
- **Check Connections:** Periodically check all connections and fasteners to ensure they remain tight.



QUICK AND EASY ASSEMBLE

1 person, 3 minutes, Without Tools

Figure 5: Key features including heavy-duty steel, non-slip foot pads, solid powder coating, and zinc-coated S hooks contribute to durability and ease of maintenance.

TROUBLESHOOTING

Problem	Possible Cause	Solution
Stand feels unstable or wobbly.	Uneven ground; loose connections; incorrect assembly.	Move stand to a flat, level surface. Check all connections and tighten any loose thumb screws. Review assembly steps.
Hammock drags on the ground.	Hammock too long; chains not adjusted correctly.	Adjust the length of the chains to raise the hammock. Ensure your hammock is compatible with a 12 FT stand.
Difficulty assembling components.	Parts misaligned; debris in connection points.	Ensure parts are correctly oriented. Clear any debris from connection points. Apply gentle, even pressure.

SPECIFICATIONS

Feature	Detail
Model	B0GJSC11NV (T-shaped)
Material	Alloy Steel
Color	Black
Item Weight	29.9 Pounds (approx. 13.5 kg)
Dimensions (L x W x H)	143.7 x 36.22 x 43.31 inches (approx. 365 x 92 x 110 cm)
Load Capacity	450 Pounds (approx. 204 kg)
Finish Type	Matte, Powder-Coated
Assembly Required	No tools required



Figure 6: Detailed dimensions of the Garvee Hammock Stand.

WARRANTY AND SUPPORT

For warranty information or technical support, please refer to the contact details provided at the point of purchase or visit the official Garvee website. Keep your purchase receipt for warranty claims.