

[Manuals.plus](#) /

› [GDFStudio](#) /

› GDFStudio 36-inch Bathroom Vanity with Ceramic Sink (Model 345620) Instruction Manual

GDFStudio 345620

GDFStudio 36-inch Bathroom Vanity with Ceramic Sink

MODEL: 345620

Introduction

This manual provides instructions for the assembly, installation, and maintenance of your GDFStudio 36-inch Freestanding Bathroom Vanity with Ceramic Sink. Please read all instructions carefully before beginning assembly and retain this manual for future reference.

The GDFStudio 36-inch bathroom vanity is designed to offer functional storage and a modern aesthetic. It features a freestanding cabinet with three deep drawers, an adjustable interior shelf, and spacious under-sink storage. The integrated ceramic sink includes an overflow hole and pre-drilled faucet holes for standard 4-inch centerset faucets (faucet not included).

Safety Information

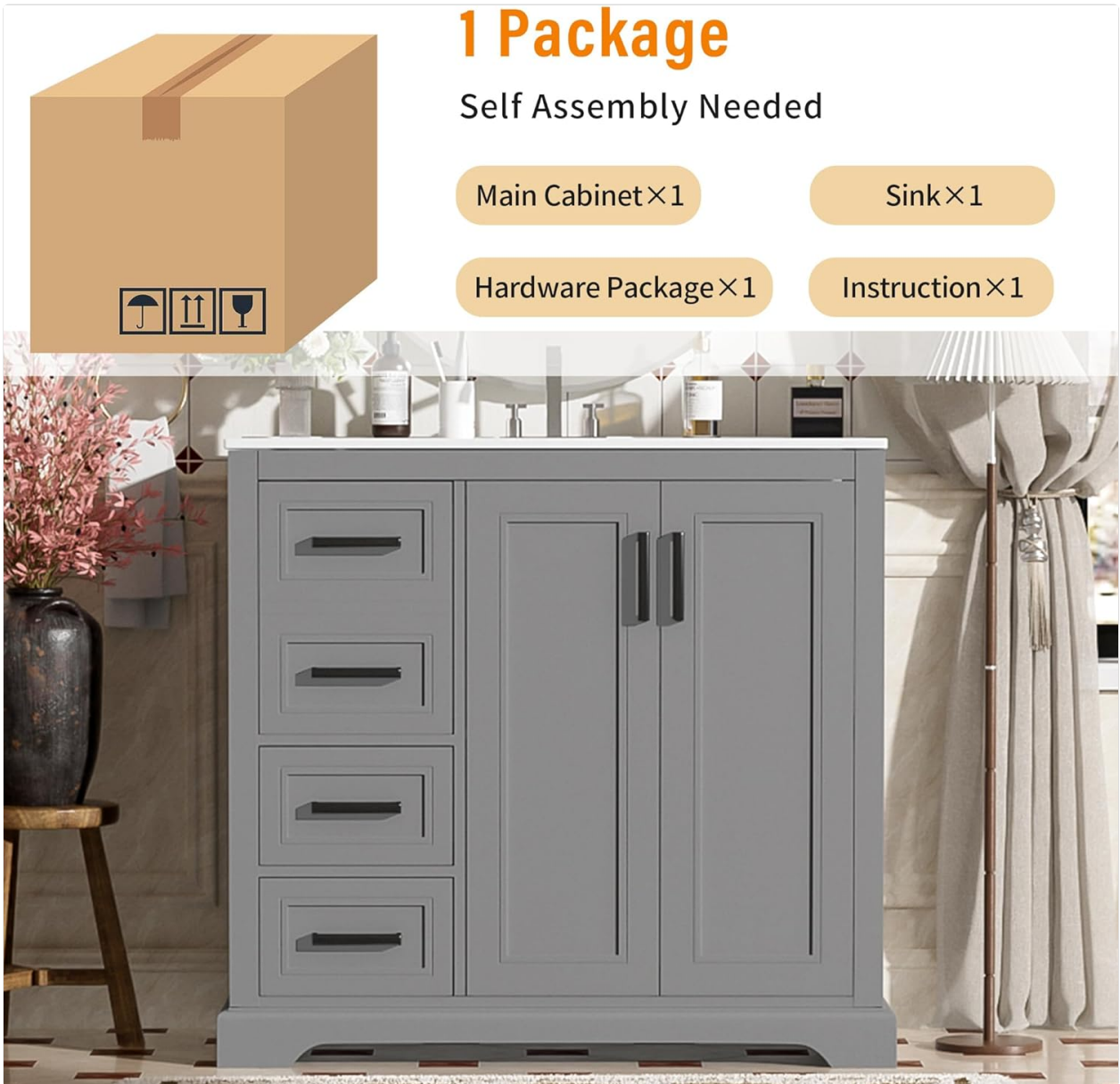
- Always use appropriate tools and follow safety guidelines during assembly.
- Ensure all connections are secure before use.
- Do not overload drawers or shelves to prevent tipping or damage.
- Keep small parts away from children during assembly.
- If mounting to a wall, ensure proper wall anchors are used for your wall type.

Package Contents

Verify that all components are present before beginning assembly. If any parts are missing or damaged, please contact customer support.

- Main Cabinet x 1

- Ceramic Sink x 1
- Hardware Package x 1
- Instruction Manual x 1



1 Package

Self Assembly Needed

Main Cabinet × 1

Sink × 1

Hardware Package × 1

Instruction × 1

Image: Package contents including main cabinet, sink, hardware, and manual.

Specifications

Feature	Detail
Overall Dimensions	36"W × 18"D × 34"H
Sink Dimensions	36"W × 18"D × 6.8"H
Vanity Cabinet Dimensions	35"W × 17.2"D × 33.3"H
Material	Solid Wood Feet, MDF Cabinet, Ceramic Sink, Zinc Alloy Handles
Mounting Type	Freestanding (Floor Mount)
Sink Type	Undermount / Drop-In

Number of Drawers	3
Number of Doors	2
Color	Grey
Weight	121.3 Pounds

Size:inch

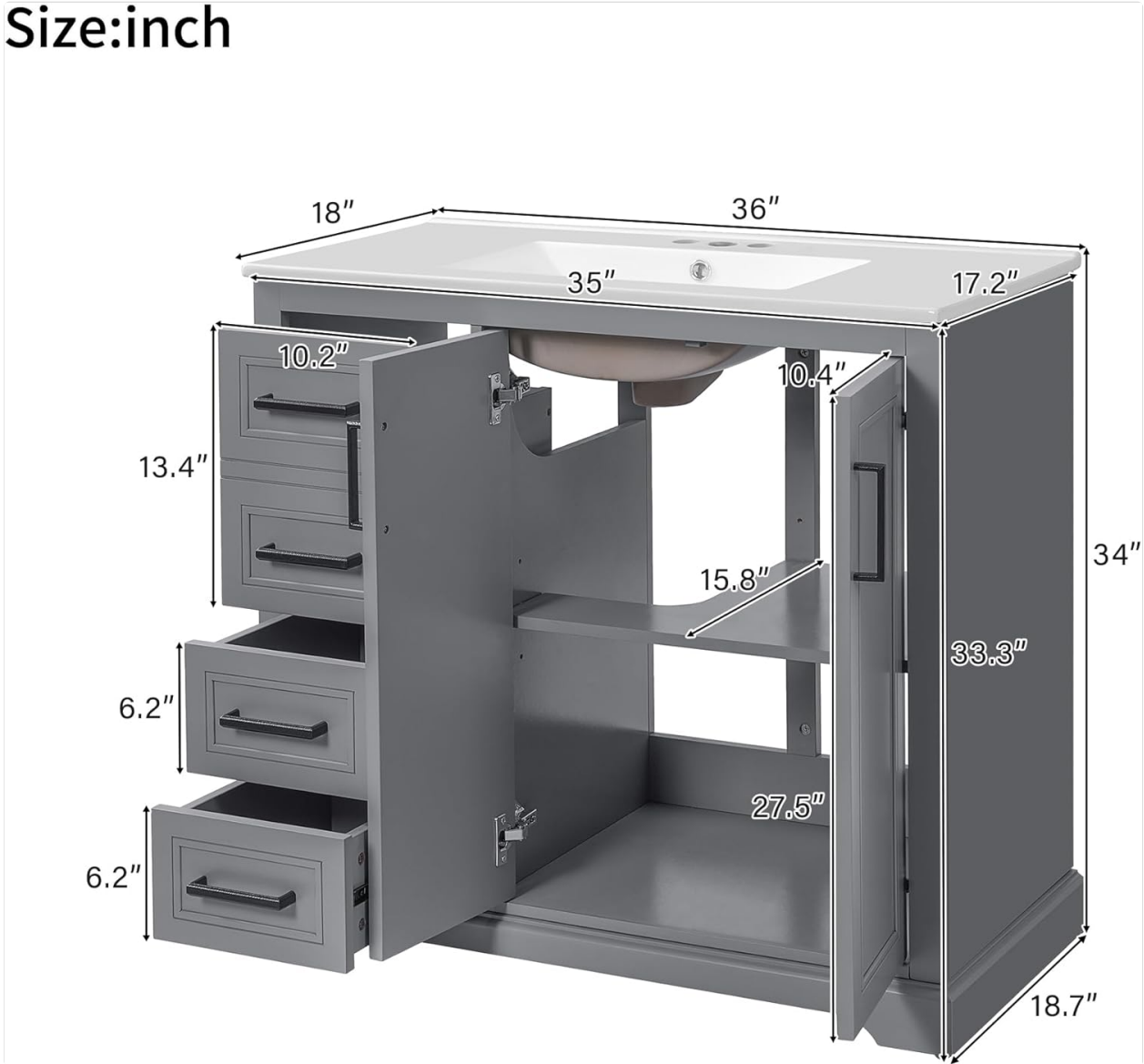


Image: Overall dimensions of the vanity.

Size:inch

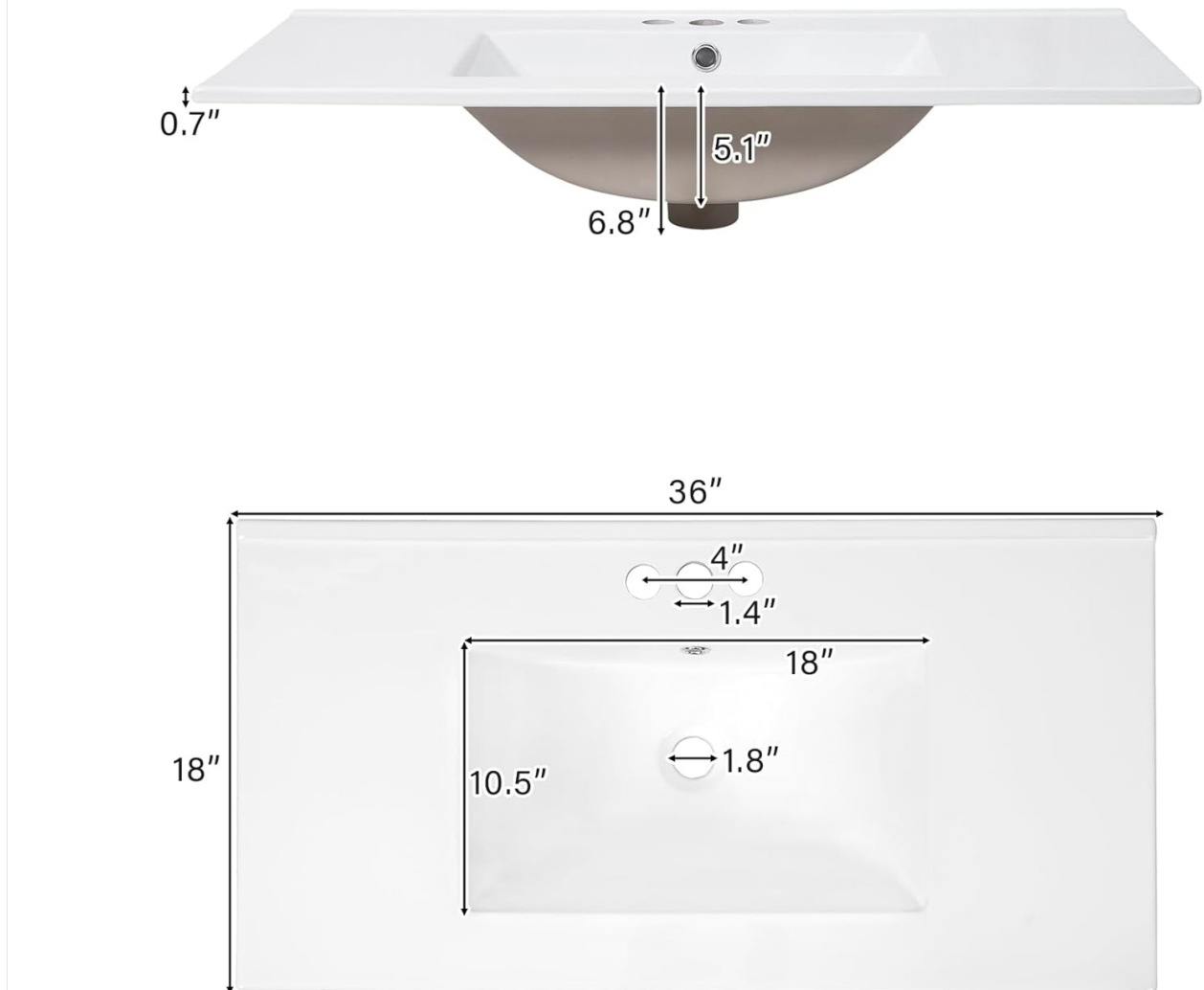


Image: Ceramic sink dimensions and faucet hole details.

Setup and Assembly Instructions

This GDFStudio bathroom vanity requires self-assembly. A detailed instruction manual and all necessary tools are included in the package. Please follow the step-by-step instructions provided in the included manual for proper assembly.

- **Preparation:** Clear a spacious, clean area for assembly. Ensure all parts listed in the package contents are present.
- **Cabinet Assembly:** Follow the diagrams and instructions to assemble the main cabinet structure.
- **Drawer and Door Installation:** Install the three deep drawers and two soft-close doors according to the instructions. Ensure smooth operation of drawers and proper alignment of doors.
- **Sink Placement:** Carefully place the ceramic sink onto the cabinet. Ensure it is properly aligned and secured as per the instructions.
- **Plumbing Access:** The open back design facilitates convenient plumbing access during installation. Ensure all plumbing connections are made by a qualified professional if you are unsure.
- **Faucet Installation:** Install your chosen 4-inch centerset faucet into the pre-drilled holes on the ceramic

sink (faucet not included).



Image: Assembled vanity with sink.



Image: Vanity installed in a bathroom.

Operating (Usage)

The GDFStudio bathroom vanity is designed for daily use in small to medium bathrooms, providing organized storage and a durable sink surface.

- **Storage:** Utilize the three deep drawers for smaller items and the adjustable shelf and under-sink space behind the doors for larger bathroom essentials, towels, or cleaning supplies.
- **Sink Use:** The ceramic sink is designed for everyday washing. The overflow hole helps prevent water spillage if the sink is overfilled.
- **Soft-Close Features:** The doors are equipped with soft-close hinges to prevent slamming and ensure quiet operation. The drawers feature smooth-glide mechanisms for easy opening and closing.



Image: Vanity with open storage showing items.



1

Under-sink Storage Space



towels



clothes



basket

2

Spacious, Smooth-Glide Deep Drawer



Washing liquid



roll paper



shampoo

3

Spacious, Smooth-gliding, Standard Drawers*2



shaver



cosmetics

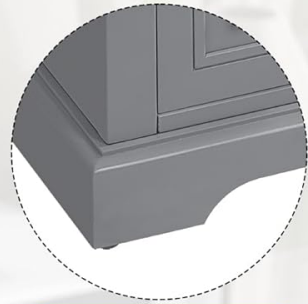


hairdrier

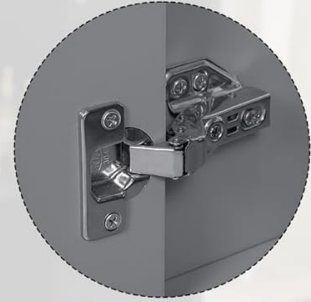
Image: Detailed view of storage and soft-close features.

36" Modern Elegant Bathroom Vanity

Perfect Blend of Functionality and Aesthetic



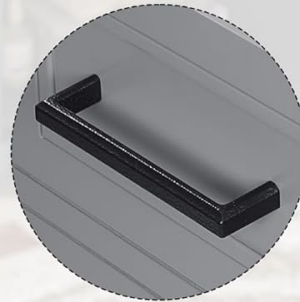
Solid Wood Frame



Soft-Close Doors



Smooth and Durable Sliding Drawers



Corrosion-Resistant Zinc Alloy Handles

Image: Key construction and functional details.



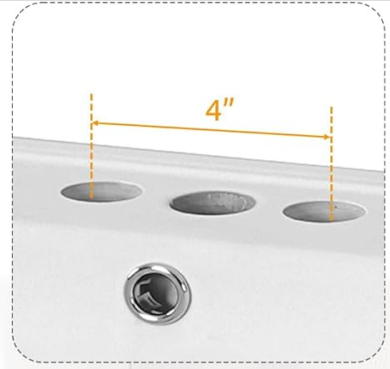
Premium Ceramic Sink

Smooth, non-porous surface resists stains and is easy to clean.



Overflow Protection

Prevents spills and keeps the space mess-free.



Three Pre-drilled Holes

Easy faucet installation (faucet not included)



Image: Ceramic sink features.

Maintenance

- **Cleaning the Cabinet:** Wipe the cabinet surfaces with a soft, damp cloth. Avoid abrasive cleaners or harsh chemicals that may damage the finish.
- **Cleaning the Ceramic Sink:** The smooth glazed surface of the ceramic sink is easy to maintain. Clean with mild soap and water, then rinse thoroughly. Avoid using abrasive pads or strong chemical cleaners that could scratch or dull the surface.
- **Hardware:** Periodically check and tighten any loose screws on handles, hinges, or drawer slides. The zinc alloy handles are corrosion-resistant.
- **Spills:** Wipe up any water spills immediately to prevent water damage to the wood components.

Troubleshooting

Problem	Possible Cause	Solution
---------	----------------	----------

Drawers do not slide smoothly	Misalignment or debris in slides	Check drawer slides for obstructions. Ensure drawers are installed correctly and aligned.
Doors do not close properly	Hinge misalignment or obstruction	Adjust hinges as per assembly instructions. Check for items obstructing door closure.
Water leakage from sink/faucet	Improper plumbing connection	Ensure all plumbing connections are tight and sealed. Consult a professional plumber if necessary.
Vanity feels unstable	Uneven floor or loose connections	Ensure the vanity is on a level surface. Check all assembly connections and tighten if loose.

Warranty and Customer Support

This GDFStudio product is covered by a **90-day manufacturer's warranty** from the date of purchase. This warranty covers defects in materials and workmanship under normal use.

For any questions, concerns, or assistance with assembly or product issues, please contact our professional customer service team:

Email: amazonvendorfeedback@gdfstudio.zendesk.com

Please provide your model number (345620) and purchase details when contacting support to ensure efficient service.