

[Manuals.plus](#) /

› [IDEALHOUSE](#) /

› IDEALHOUSE Teddy Fleece Queen Size Bed Frame Instruction Manual

IDEALHOUSE B0GGJ788SF

IDEALHOUSE Teddy Fleece Queen Size Bed Frame Instruction Manual

Model: B0GGJ788SF

1. PRODUCT OVERVIEW

This manual provides instructions for the assembly, operation, and maintenance of your IDEALHOUSE Teddy Fleece Queen Size Bed Frame. This bed frame features a soft teddy fabric upholstery, an adjustable headboard, and two flexible storage drawers.

Luxurious Teddy Fabric

Comfortable to touch and easy to clean



Image 1.1: The IDEALHOUSE Teddy Fleece Queen Size Bed Frame, highlighting the soft fabric and adjustable headboard.

Key Features:

- **Teddy Fabric Upholstery:** Soft and comfortable cloud-like teddy fabric.
- **Adjustable Headboard:** Customizable height to accommodate mattresses 10.4"-12.8" thick.
- **Flexible Storage Drawers:** Two drawers that can be positioned at any of the four sides underneath the bed.
- **Sturdy Construction:** Built with high-quality materials and solid wooden slats for durability.

2. SAFETY INFORMATION

- Assembly requires two adults.
- Exercise caution around sharp edges during unpacking and assembly.
- Ensure all screws and fasteners are securely tightened before use.
- Do not exceed the recommended weight capacity of the bed frame.

3. SETUP AND ASSEMBLY

The IDEALHOUSE bed frame is designed for easy assembly. All pieces are clearly labeled, and clear instructions are included. Assembly typically takes approximately 1 hour with two adults.

Required Tools:

- No additional tools are typically required as an assembly tool is usually provided.

Assembly Steps:

1. **Unpack Components:** Carefully remove all parts from the packaging and lay them out on a clean, soft surface to prevent scratches. Verify all components are present against the parts list in your included instruction booklet.
2. **Assemble Frame:** Follow the step-by-step diagrams in your instruction booklet to connect the main frame components.
3. **Install Slats:** Insert the wooden slats into the designated slots on the bed frame. Ensure they are securely clicked into place. The EVA foam on the slats helps reduce noise.

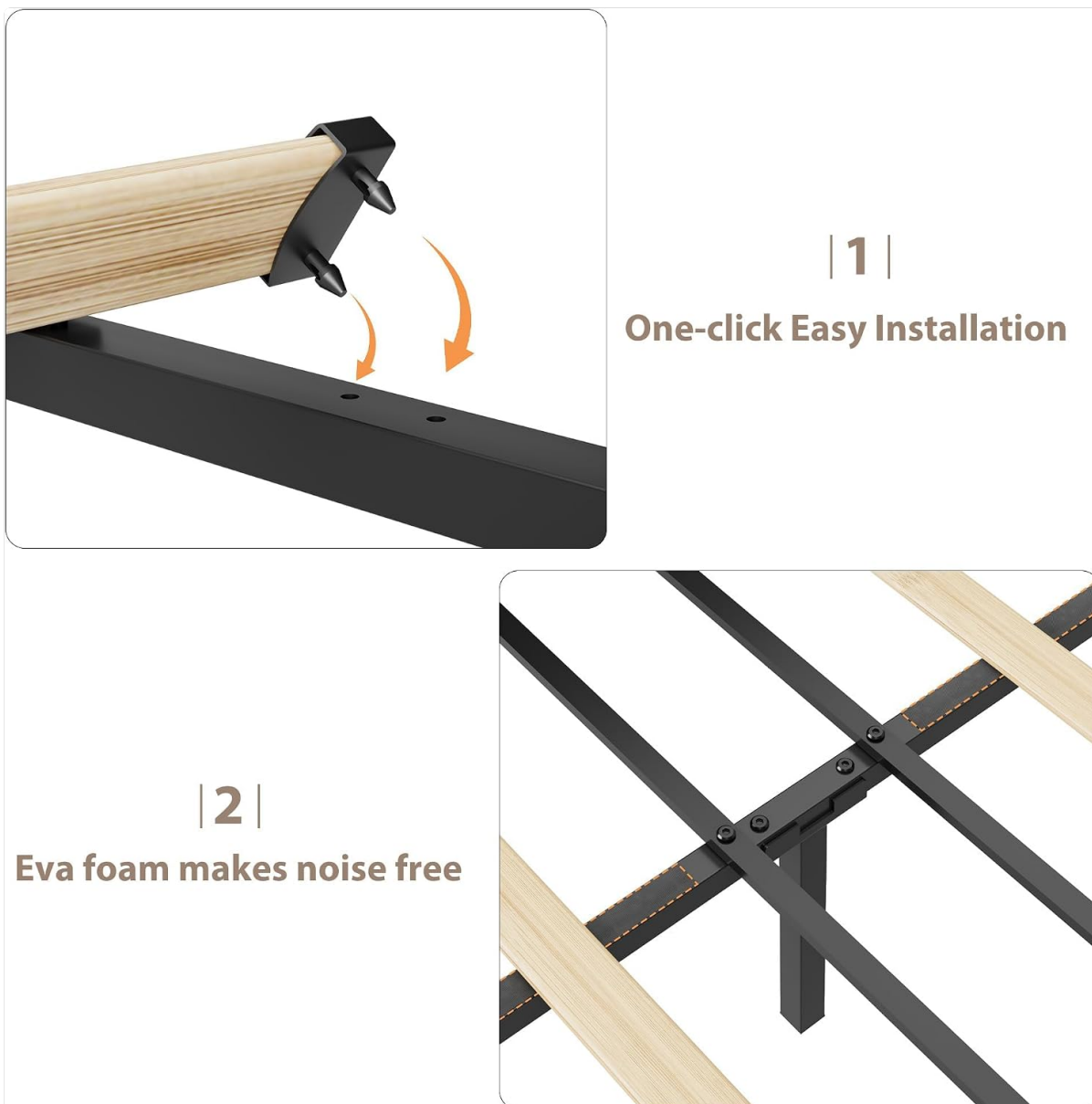


Image 3.1: Detail of slat installation, showing the one-click mechanism and EVA foam for noise reduction.

4. **Attach Headboard:** Secure the adjustable headboard to the main frame. Adjust its height to your

preferred setting based on your mattress thickness.

5. **Assemble Drawers:** Assemble the two storage drawers according to the instructions.
6. **Insert Drawers:** Place the assembled drawers into any of the four available positions under the bed frame.

QUEEN SIZE

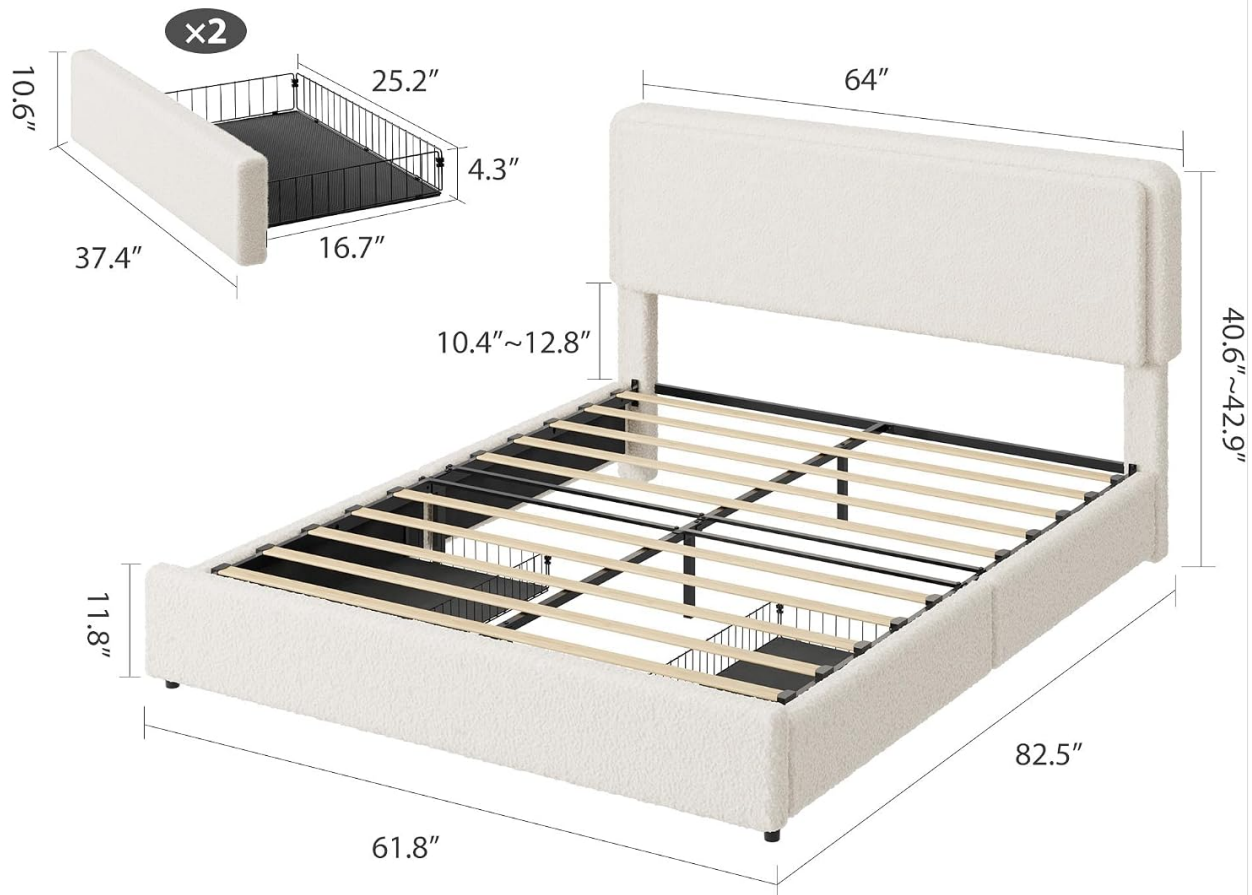


Image 3.2: Overall dimensions of the Queen Size Bed Frame, useful for assembly and placement.

4. OPERATING INSTRUCTIONS

Adjusting the Headboard:

The headboard can be raised or lowered to accommodate mattresses between 10.4 inches and 12.8 inches thick. To adjust, loosen the securing bolts on the headboard supports, slide the headboard to the desired height, and re-tighten the bolts firmly.

Using the Storage Drawers:

The two storage drawers are designed for flexible placement. They can be positioned on either side of the bed or at the foot of the bed, depending on your room layout and storage needs. Simply slide them into the desired location under the bed frame.



2 Lockable Storage Drawers
Easily Pull Out

Image 4.1: The bed frame with storage drawers in use, demonstrating their capacity for items like clothing or blankets.

Flexible Drawers

Put drawers according to the room layout



1 | Each side one drawer



2 | 2 drawers at the left side



3 | 2 drawers at the right side

Image 4.2: Illustration of the flexible drawer placement options: one on each side, two on the left, or two on the right.

5. MAINTENANCE

- **Cleaning:** Wipe the bed frame with a dry cloth to remove dust and debris. For spills on the teddy fabric, gently blot with a clean, damp cloth and allow to air dry. Avoid harsh chemicals or abrasive cleaners.
- **Fastener Check:** Periodically check all screws and bolts to ensure they remain tight. Re-tighten as necessary to maintain stability and prevent squeaks.
- **Drawer Care:** Keep the drawer tracks clean and free of obstructions to ensure smooth operation.

6. TROUBLESHOOTING

- **Squeaking Noises:** If the bed frame develops squeaks, check all assembly bolts and screws for tightness. Ensure all wooden slats are properly seated in their holders. The EVA foam on the slats is designed to minimize noise.
- **Drawers Not Sliding Smoothly:** Check for any objects obstructing the drawer wheels or tracks. Ensure the drawers are correctly aligned within the bed frame.
- **Headboard Instability:** Verify that the headboard adjustment bolts are fully tightened after setting the

desired height.

7. SPECIFICATIONS

Feature	Detail
Model Number	B0GGJ788SF
Size	Queen
Material	Teddy Fleece Fabric, Solid Wood Slats
Product Dimensions (L x W x H)	82.5" x 61.8" x 42.9"
Item Weight	96.1 Pounds
Headboard Adjustability	Fits mattresses 10.4"-12.8" thick
Storage	2 Flexible Built-in Storage Drawers
Assembly Required	Yes (2 adults recommended)
Care Instructions	Wipe with Dry Cloth

8. WARRANTY AND SUPPORT

For specific warranty information regarding your IDEALHOUSE Teddy Fleece Queen Size Bed Frame, please refer to the documentation included with your purchase or contact IDEALHOUSE customer service directly.

For additional support, product inquiries, or to report missing/damaged parts, please visit the official IDEALHOUSE store or contact their customer service department.

IDEALHOUSE Store: [Visit the IDEALHOUSE Store on Amazon](#)