

[Manuals.plus](#) /

> [Monstrum](#) /

> Monstrum Beast 3-18x50 FFP Rifle Scope User Manual

Monstrum Beast 3-18x50 FFP Rifle Scope

Monstrum Beast 3-18x50 FFP Rifle Scope User Manual

Model: Beast 3-18x50 FFP Rifle Scope

INTRODUCTION

Thank you for choosing the Monstrum Beast 3-18x50 FFP Rifle Scope. This manual provides detailed instructions for the proper setup, operation, and maintenance of your new rifle scope. Designed for precision long-range applications, this optic features Extra Low Dispersion (ED) glass, a First Focal Plane (FFP) reticle, precision turrets with a configurable zero stop, and comes with a cantilever scope mount. Please read this manual thoroughly before use to ensure optimal performance and safety.



Image: The Monstrum Beast 3-18x50 FFP Rifle Scope with its included cantilever mount.

SETUP AND INSTALLATION

1. Mounting the Scope

The Monstrum Beast 3-18x50 FFP Rifle Scope includes a cantilever scope mount designed for secure attachment and optimal eye relief.

- Ensure your firearm is unloaded and pointed in a safe direction.

- Attach the cantilever mount to your firearm's Picatinny or Weaver rail. Tighten the mount screws evenly to secure it.
- Place the scope into the rings of the cantilever mount. Adjust the scope's position forward or backward to achieve proper eye relief.
- Rotate the scope to ensure the reticle is level. Use a leveling tool for best results.
- Once eye relief and reticle level are set, tighten the scope ring screws evenly and gradually to avoid damaging the scope tube. Refer to the mount's specific torque specifications if available.



Image: The Monstrum Beast scope mounted on a rifle, showing the cantilever mount.

2. Diopter Adjustment

The diopter adjustment ring, located on the eyepiece, allows you to focus the reticle for your individual eyesight.

1. Point the scope at a plain, bright background (e.g., a clear sky or a blank wall).
2. Look through the scope and quickly glance away. Then, look back through the scope.
3. Adjust the diopter ring until the reticle appears sharp and clear instantly. Avoid staring through the scope for too long during adjustment, as your eye may compensate for blurriness.

3. Battery Installation for Reticle Illumination

The reticle illumination requires a CR2032 battery.

- Unscrew the battery cap located on the illumination control knob.
- Insert a fresh CR2032 battery with the positive (+) side facing outwards.
- Replace the battery cap, ensuring it is securely tightened to maintain water resistance.

OPERATING INSTRUCTIONS

1. Magnification Adjustment

The magnification ring is located at the front of the eyepiece. Rotate this ring to adjust the magnification from 3x to 18x.

2. Parallax Adjustment

Parallax is the apparent shift in the reticle's position relative to the target when the shooter's eye moves. The side focus dial (parallax adjustment knob) on your scope allows you to eliminate parallax at various distances.

- With the scope mounted, look through it at your target.
- Adjust the side focus dial until the target image appears sharp and clear.
- To verify parallax is eliminated, move your head slightly up and down, or side to side. The reticle should remain stationary on the target. If it moves, fine-tune the parallax adjustment.

SHARPEN YOUR TARGET

HELPS REDUCE PARALLAX AND
IMPROVES FOCUS AT DISTANCE



**SIDE
FOCUS
DIAL**



MONSTRUM



BEFORE



AFTER

If the setting is far off, the
image may look blurry

1 ESTIMATE
DISTANCE

2 SET SIDE FOCUS
NEAR THAT YARDAGE

3 FINE-TUNE
UNTIL SHARP

Image: Close-up of the side focus dial, used for parallax adjustment and sharpening the target image.



Image: The parallax adjustment knob, adjustable from 25 yards.

3. Reticle Illumination

The illumination control knob is integrated with the parallax adjustment on the left side of the scope. It offers 6 levels of red illumination.

- Rotate the knob to turn on the illumination and select your desired brightness level.
- Rotate to the "0" position to turn off the illumination.

THE BANSHEE LPVOS FEATURE AN EXTRA LOW DISPERSION GLASS LENS SYSTEM. ED GLASS - MORE COMMONLY FOUND IN HIGH END CAMERA LENSES AND BINOCULARS - REDUCES CHROMATIC ABERRATION RESULTING IN SUPERIOR COLOR CONTRAST AND SHARPER IMAGE QUALITY.

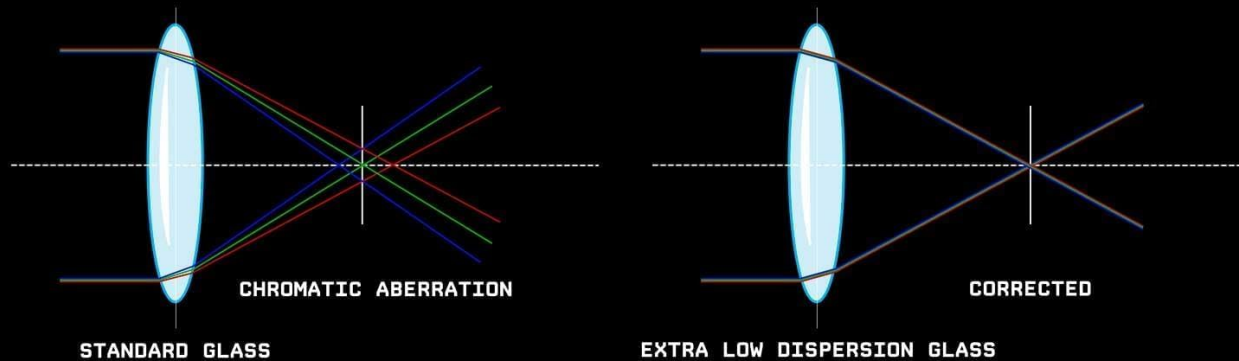


Image: The illumination control knob, also showing the push-pull locking turrets.

4. Windage and Elevation Turrets with Zero Stop

The scope features precision windage and elevation turrets with 1/4 MOA or 0.1 MIL per click adjustments, depending on your reticle version (CM4 MOA or MM4 MIL). The elevation turret includes a configurable zero stop.

- **Adjusting Turrets:** Pull up on the turret to unlock it, make your adjustments by rotating, then push down to lock it in place.
- **Zeroing:** After zeroing your rifle at your desired distance, you can set the zero stop on the elevation turret. Consult the detailed instructions for setting the zero stop, typically found by loosening small set screws on the turret cap and realigning the "0" mark.
- The zero stop allows you to quickly return to your established zero without looking, preventing accidental over-rotation below your zero.



EXTRA-LOW DISPERSION GLASS

Image: Close-up of the elevation turret, highlighting the zero stop feature.

5. First Focal Plane (FFP) Reticle

Your Monstrum Beast scope features a First Focal Plane (FFP) reticle. In an FFP scope, the reticle is positioned in front of the magnification lens system. This means the reticle's size appears to grow or shrink proportionally with the magnification.

- **Benefits of FFP:** The subtensions (the spacing between reticle marks) remain accurate at all magnification settings. This is crucial for range estimation, holdovers, and windage corrections, as the values represented by the reticle marks do not change with magnification.
- The CM4 MOA reticle provides both fast target acquisition and detailed ranging information.

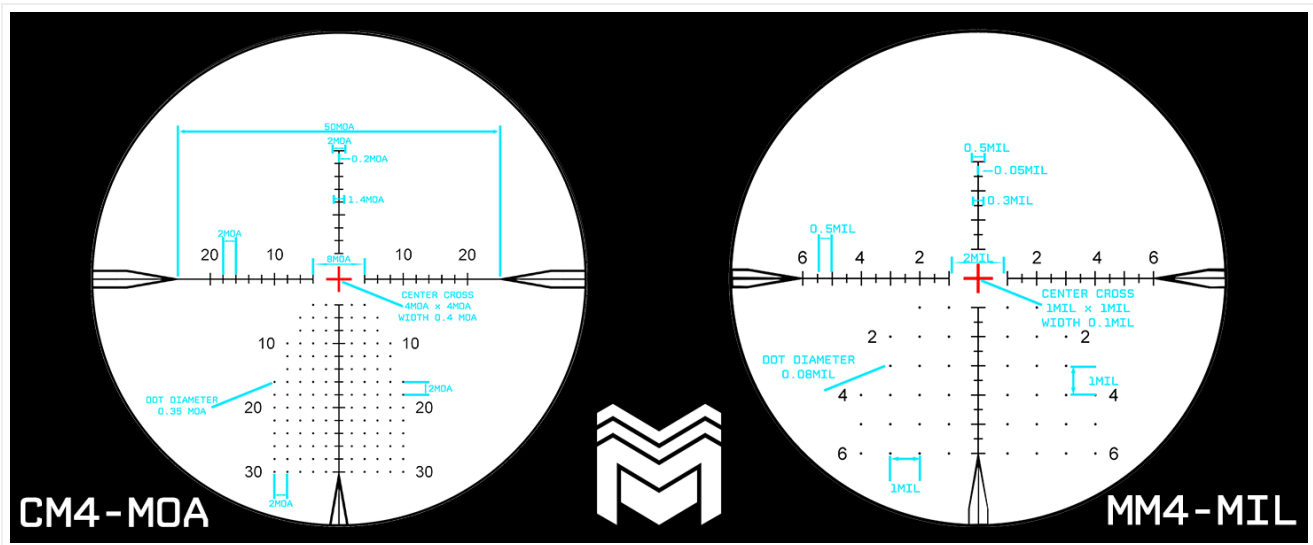


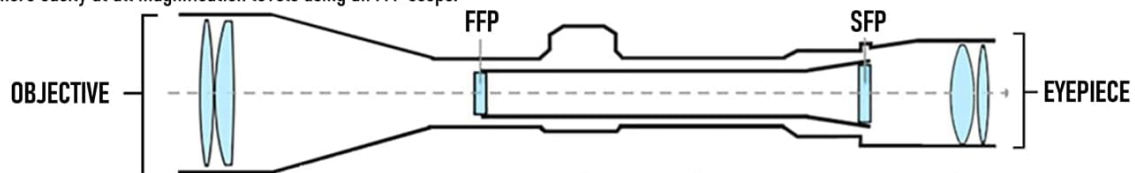
Image: Diagram illustrating the difference between First Focal Plane (FFP) and Second Focal Plane (SFP) reticles, showing how FFP reticle subtensions remain constant relative to the target at all magnifications.

WHAT IS AN FFP SCOPE?

FFP stands for First Focal Plane. The term refers to the position of the scope reticle in relation to the magnification lens. In FFP scopes, the reticle is located to the front of the magnification lens - the first focal plane. The key consequence of this is that the size of the reticle grows or shrinks in relation to magnification adjustment.

SFP VERSUS FFP SCOPES

In SFP (Second Focal Plane) scopes, the size of the reticle is fixed regardless of magnification. In FFP (First Focal Plane) scopes, the size of the reticle grows or shrinks in relation to magnification adjustment. Range and distance information from the reticle remain constant in an FFP scope regardless of magnification- so a 1 MOA hashmark is equal to 1 MOA at all magnification levels. Tasks such as range estimation, hold over correction, and bullet drop adjustment can therefore be performed much more easily at all magnification levels using an FFP scope.



SFP (SECOND FOCAL PLANE) VS FFP (FIRST FOCAL PLANE)

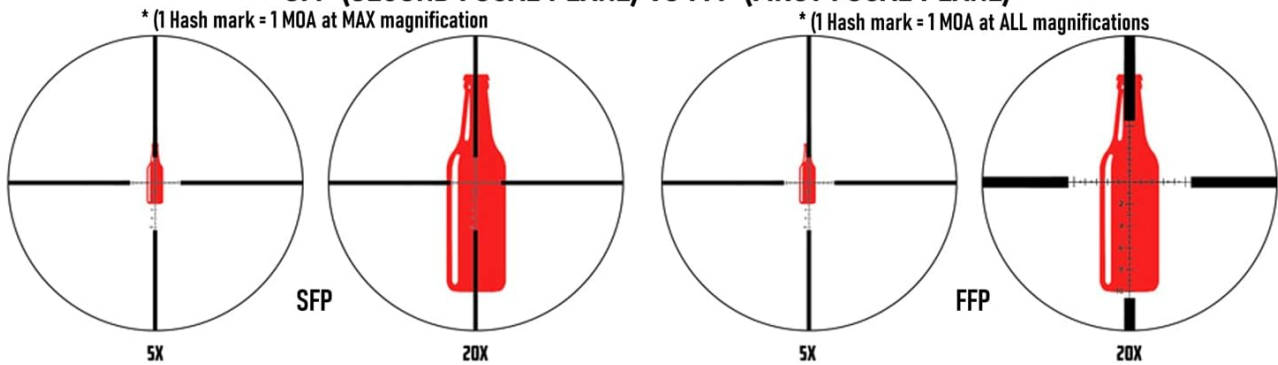


Image: View through the scope showing the CM4 MOA reticle at 18x magnification, with detailed markings for ranging and holdovers.

MAINTENANCE

1. Cleaning Lenses

The lenses of your scope are multicoated with Extra Low Dispersion (ED) glass for superior image quality. Proper cleaning is essential to maintain their performance.

- Use a soft lens brush or compressed air to remove any loose dust or debris.
- Apply a small amount of lens cleaning solution to a microfiber lens cloth.
- Gently wipe the lens surfaces in a circular motion, starting from the center and moving outwards.
- Avoid using harsh chemicals, abrasive cloths, or excessive pressure, as these can damage the lens coatings.



Image: Close-up of the scope's objective lens, showcasing the Extra-Low Dispersion (ED) glass.

2. General Cleaning and Storage

- Wipe the exterior of the scope with a clean, damp cloth to remove dirt or fingerprints.
- Store the scope in a cool, dry place, preferably in its original packaging or a protective case, when not in use.
- Ensure lens caps are in place to protect the lenses from dust and scratches.

3. Battery Replacement

If the reticle illumination dims or stops working, replace the CR2032 battery as described in the "Setup and Installation" section.

TROUBLESHOOTING

Problem	Possible Cause	Solution
---------	----------------	----------

Problem	Possible Cause	Solution
Blurry Image / Reticle	Incorrect diopter setting, incorrect parallax adjustment, dirty lenses.	Adjust diopter for reticle clarity. Adjust parallax for target clarity. Clean lenses.
Reticle Not Illuminating	Dead battery, incorrect battery orientation, illumination knob off.	Replace battery (CR2032) with positive side out. Ensure illumination knob is turned to a numbered setting.
Scope Not Holding Zero	Mounting screws loose, scope rings loose, damaged scope.	Check and tighten all mounting screws and scope ring screws. If problem persists, contact customer support.
Excessive Eye Relief Issues	Scope positioned incorrectly in mount.	Adjust scope position forward or backward in the mount to achieve optimal eye relief.

SPECIFICATIONS

Feature	Detail
Magnification	3-18x
Objective Lens Diameter	50mm
Reticle Type	First Focal Plane (FFP) CM4 MOA (also available in MM4 MIL)
Glass Type	Extra Low Dispersion (ED) Glass, Multicoated Lenses
Illumination	6 Levels of Red Illumination
Click Value	1/4 MOA or 0.1 MIL per click
Turrets	Precision Push-Pull Locking Turrets with Configurable Zero Stop (Elevation)
Parallax Adjustment	Side Focus, adjustable from 25 yards
Included Mount	Monstrum Cantilever Scope Mount (1-inch offset, 1.50-inch center height)
Color	Black
Item Package Dimensions	15.59 x 5.24 x 4.88 inches
Package Weight	1.67 Kilograms
Model Number	FFE31850B-CM4-X

WARRANTY INFORMATION

Monstrum products are designed for durability and performance. For specific warranty details regarding your Monstrum Beast 3-18x50 FFP Rifle Scope, please refer to the warranty card included with your product or visit the official Monstrum website. Keep your proof of purchase for warranty claims.

CUSTOMER SUPPORT

If you have any questions, require technical assistance, or need to report an issue with your Monstrum Beast 3-

18x50 FFP Rifle Scope, please contact Monstrum customer support.

- **Online Support:** Visit the Monstrum website for FAQs, product registration, and contact forms.
- **Email:** Refer to your product packaging or the Monstrum website for the most current customer service email address.

When contacting support, please have your product model number (FFE31850B-CM4-X) and purchase information readily available.