

manuals.plus /

› **LIVELYGLOW** /

› **LIVELYGLOW 35.4" Makeup Vanity Desk with Smart LED Mirror and Charging Station (Model RXUS-RGHGX) Instruction Manual**

## LIVELYGLOW RXUS-RGHGX

# LIVELYGLOW 35.4" Makeup Vanity Desk Instruction Manual

Model: RXUS-RGHGX

## 1. INTRODUCTION

This manual provides detailed instructions for the assembly, operation, and maintenance of your LIVELYGLOW 35.4" Makeup Vanity Desk. Please read all instructions carefully before assembly and use to ensure proper function and safety.

### Safety Information

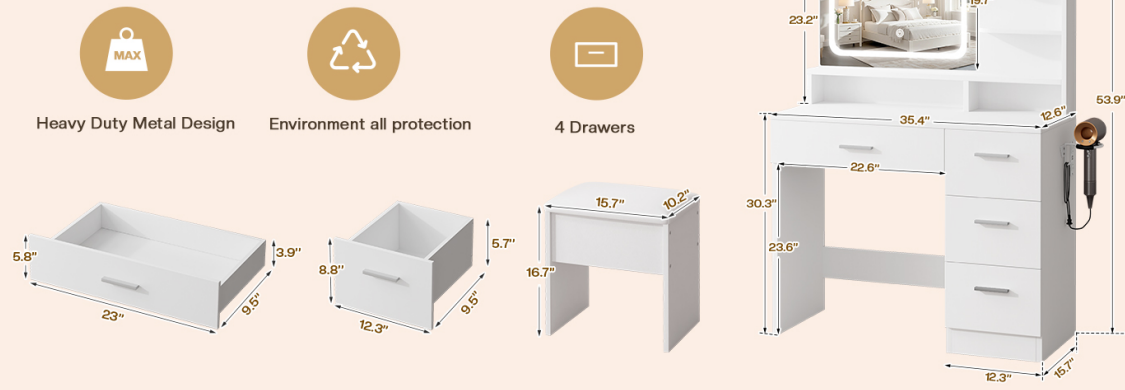
- Keep all small parts and packaging materials away from children.
- Ensure all screws and fasteners are securely tightened before use.
- Do not overload drawers or shelves.
- Avoid placing hot items directly on the vanity surface.
- Use only the provided power strip for electrical devices.

---

## 2. PACKAGE CONTENTS

Verify that all components are present before beginning assembly. If any parts are missing or damaged, contact customer support.

## PRODUCT DIMENSIONS



**Figure 2.1:** Exploded view of the vanity desk and stool, detailing all components and their dimensions. Includes the main desk unit, LED mirror, side shelves, drawers, hairdryer rack, and cushioned stool.

The package includes:

- Vanity Desk Frame (Engineered Wood)
- Smart LED Mirror
- Cushioned Stool
- 4 Drawers (1 large, 3 small)
- Hairdryer Rack
- Built-in Power Strip (2 AC outlets, 2 USB ports)
- Assembly Hardware (screws, dowels, cam locks, etc.)
- Assembly Instructions

### 3. SETUP AND ASSEMBLY

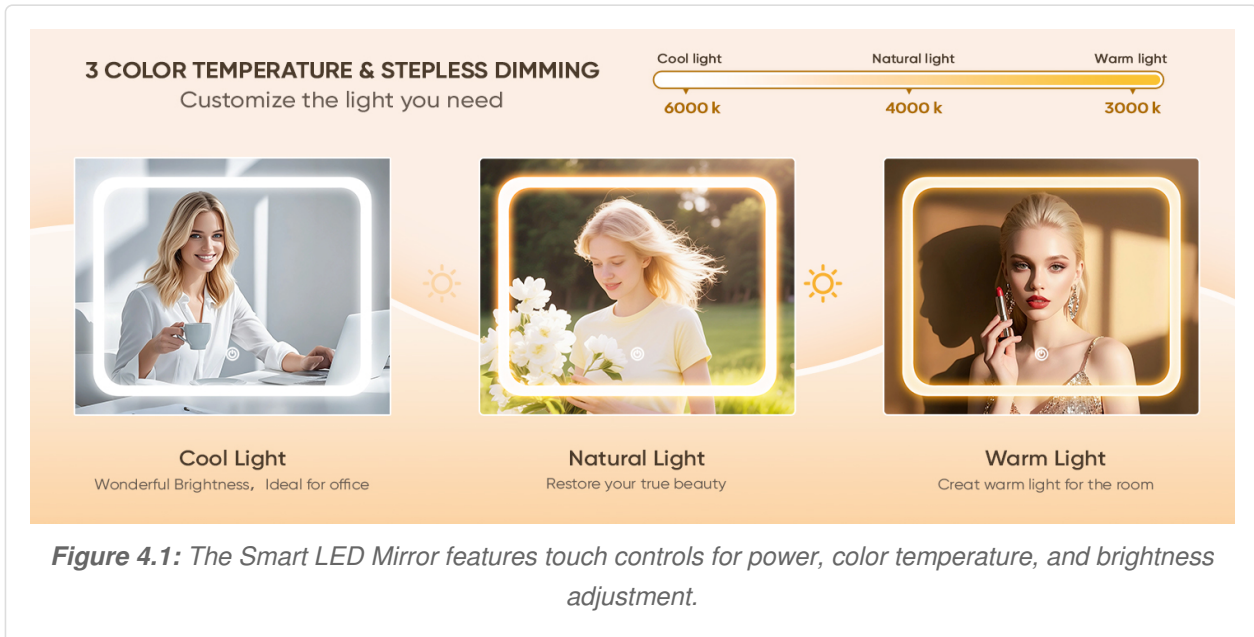
Assembly is required. Detailed step-by-step instructions, labeled parts, and an installation video are provided to facilitate the process. It is recommended to have two people for assembly.

1. **Unpack Components:** Carefully remove all parts from the packaging. Lay them out on a clean, soft surface to prevent scratches.
2. **Identify Parts:** Refer to the parts list and diagrams to identify each component.
3. **Assemble Main Desk Frame:** Follow the numerical sequence in the provided assembly guide to connect the main desk panels using the designated hardware. Ensure all connections are snug but do not overtighten.
4. **Install Drawers:** Assemble the drawer boxes and install the drawer slides onto both the drawers and the desk frame. Insert the drawers into their respective slots.
5. **Attach LED Mirror Unit:** Secure the Smart LED Mirror unit to the top of the desk as indicated in the instructions. Connect the power cable for the mirror.
6. **Mount Hairdryer Rack and Power Strip:** Attach the hairdryer rack to the side of the desk. Ensure the built-in power strip is correctly installed and secured.
7. **Assemble Stool:** Follow the instructions to assemble the cushioned stool.
8. **Final Check:** Verify that all parts are correctly assembled and all fasteners are tightened.

For visual guidance, please refer to the installation video provided by the manufacturer.

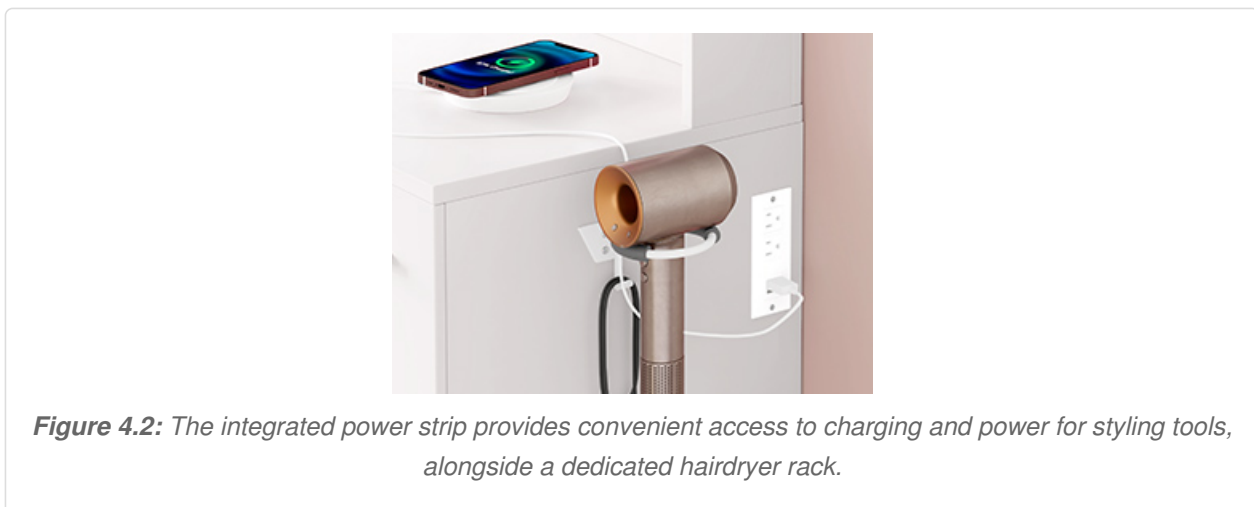
## 4. OPERATING INSTRUCTIONS

### 4.1 Smart LED Mirror



- **Power On/Off:** Lightly touch the power icon on the mirror surface to turn the LED lights on or off.
- **Change Color Temperature:** With the lights on, touch the color temperature icon to cycle through three lighting modes:
  - **Cool White (6000K):** Bright, ideal for detailed tasks.
  - **Natural White (4000K):** Balanced, suitable for everyday makeup application.
  - **Warm Yellow (3000K):** Soft, for evening looks or ambient lighting.
- **Adjust Brightness (Stepless Dimming):** Long-press the power icon to adjust the brightness level. Release when the desired brightness is achieved.

### 4.2 Built-in Charging Station and Hairdryer Rack



- **AC Outlets:** Two 125V/12A AC outlets are available for powering hair dryers, curling irons, or other small appliances.
- **USB Ports:** Two 5V/2.1A USB ports are provided for charging mobile phones, tablets, or other USB-

powered devices.

- **Hairdryer Rack:** Use the side-mounted rack to store your hairdryer, keeping it easily accessible and preventing clutter on the desktop.

### 4.3 Storage Features



*Figure 4.3: The vanity desk offers various storage options, including a large central drawer, three side drawers, and open shelves.*

- **Drawers:** Utilize the large central drawer and three smaller side drawers for organized storage of cosmetics, jewelry, and personal items.
- **Open Shelves:** The multi-layer open shelves on the desktop are suitable for displaying frequently used items, skincare bottles, or decorative elements.

## 5. MAINTENANCE

- **Cleaning the Surface:** Wipe the vanity surface with a soft, damp cloth. Avoid abrasive cleaners or harsh chemicals that may damage the finish.
- **Mirror Cleaning:** Use a glass cleaner and a microfiber cloth to clean the LED mirror. Do not spray cleaner directly onto the mirror to prevent liquid from entering the electrical components.
- **Hardware Check:** Periodically check all screws and fasteners to ensure they remain tight. Retighten if necessary.
- **Stool Care:** The cushioned stool can be wiped clean with a damp cloth.

## 6. TROUBLESHOOTING

Problem	Possible Cause	Solution
LED Mirror does not light up.	Power cable not connected; power outlet not working; mirror damaged.	Ensure the mirror's power cable is securely plugged into a functional outlet. Check the outlet with another device. If the issue persists, contact customer support.
Power outlets/USB ports not working.	Power strip not plugged in; circuit breaker tripped.	Verify the main power cord for the vanity's power strip is plugged into a live wall outlet. Check your home's circuit breaker.

Problem	Possible Cause	Solution
Drawers are stiff or do not close properly.	Improper assembly of drawer slides; obstruction in the drawer.	Review assembly instructions for drawer slide installation. Ensure no items are blocking the drawer's path. Lubricate slides if necessary.
Vanity feels unstable.	Loose fasteners; uneven floor.	Check and tighten all assembly screws. Place the vanity on a level surface or use shims to stabilize if the floor is uneven.

## 7. SPECIFICATIONS

<b>Model Number:</b>	RXUS-RGHCX
<b>Brand:</b>	LIVELYGLOW
<b>Dimensions (Overall):</b>	35.4" W x 15.7" D x 53.9" H
<b>Mirror Dimensions:</b>	19.7" x 23.6" (Full Size HD Smart LED Mirror)
<b>Material:</b>	Engineered Wood
<b>Color:</b>	Pure White
<b>Item Weight:</b>	81.8 pounds
<b>Power Strip:</b>	2 AC Outlets (125V/12A), 2 USB Ports (5V/2.1A), 4.6-Foot Cord
<b>LED Mirror Lighting:</b>	3 Color Temperatures (Cool, Natural, Warm), Stepless Dimming
<b>Assembly Required:</b>	Yes

## 8. WARRANTY AND CUSTOMER SUPPORT

LIVELYGLOW stands by the quality of its products. For any issues, missing parts, or assembly assistance, please contact our customer support team. Refer to your purchase documentation for specific warranty details.

**Customer Support:** Please visit the [LIVELYGLOW Store on Amazon](#) or contact the seller directly through your order history for assistance.