

58mm Slow Rebound Espresso Tamper

Generic 58mm Slow Rebound Espresso Tamper

User Manual

INTRODUCTION

This manual provides comprehensive instructions for the proper use and maintenance of your Generic 58mm Slow Rebound Espresso Tamper. Designed for consistent coffee preparation, this tool ensures uniform compression of coffee grounds for optimal espresso extraction. Please read this manual thoroughly before initial use.

PRODUCT OVERVIEW

The 58mm Slow Rebound Espresso Tamper is engineered to provide a constant tamping pressure and a controlled upward movement after each tamping action. This design contributes to stability and consistency in your espresso preparation.

Precise Adjustment

Rotate the middle ring to adjust the height
Make tamping more precise



Image: The 58mm Slow Rebound Espresso Tamper, showcasing its design from various perspectives.

SETUP

Unpacking

Carefully remove the tamper from its packaging. Inspect the tamper for any signs of damage. Retain the packaging for future storage or transport.

Height Adjustment

The tamper features a precise adjustment mechanism to accommodate different portafilter depths and coffee dosages. To adjust the tamping height:

1. Locate the middle ring of the tamper.
2. Rotate the middle ring to adjust the overall height of the tamper base.
3. Adjust until the tamper base sits flush with the portafilter basket rim when tamping, ensuring consistent depth.



Image: Illustration demonstrating the rotation of the middle ring to precisely adjust the tamper's height for optimal tamping.

OPERATING INSTRUCTIONS

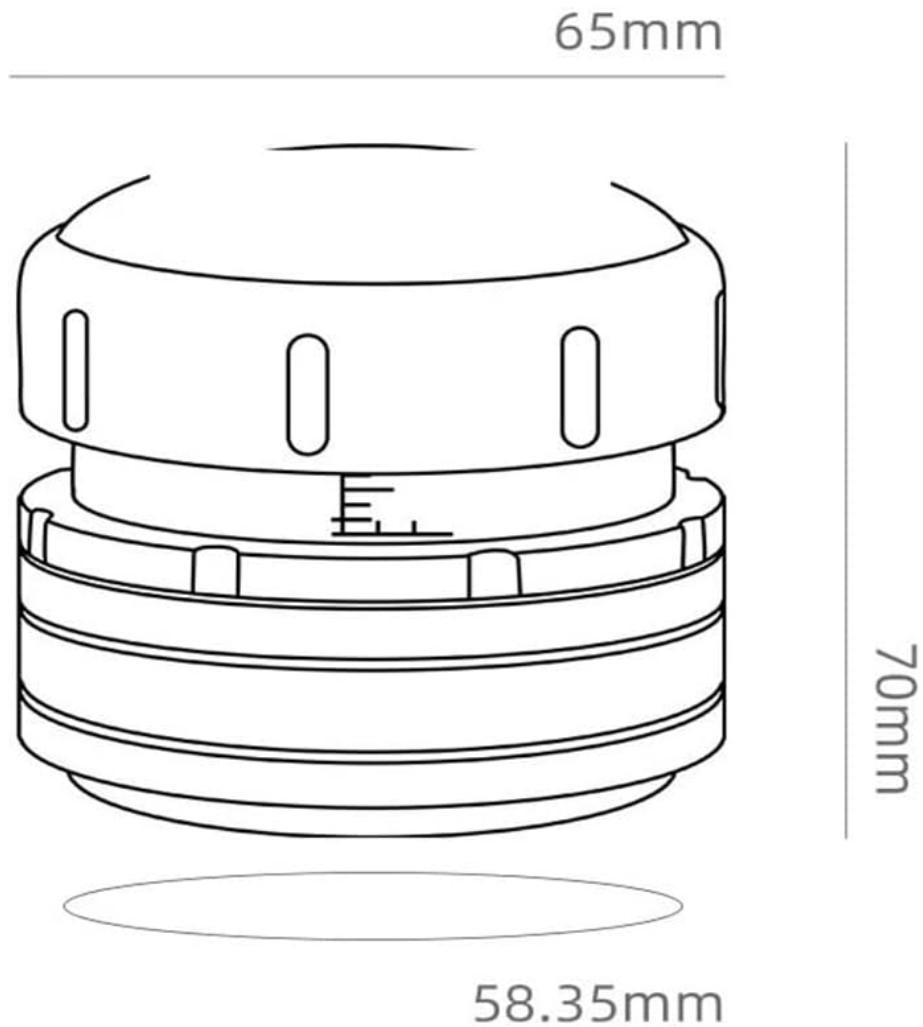
Tamping Process

This tamper is designed to provide consistent pressure and a slow rebound for optimal coffee puck preparation.

1. Fill your portafilter basket with the desired amount of freshly ground coffee.
2. Distribute the coffee grounds evenly within the basket.
3. Place the 58mm Slow Rebound Espresso Tamper squarely on top of the coffee grounds.
4. Apply downward pressure until the tamper mechanism engages and compresses the coffee grounds. The tamper is designed to apply a consistent, preset force.
5. Release pressure. The tamper will slowly rebound, maintaining stability and preventing disruption of the coffee puck.

6. Remove the tamper. The coffee puck should be firm, level, and evenly compressed.

INFORMATION



*Manual measurement may have errors. Please refer to actual objects

Image: Visual representation of the tamper's slow rebound mechanism and its application of constant, horizontal pressure during the tamping process.

MAINTENANCE

Cleaning

Regular cleaning ensures the longevity and performance of your tamper.

- After each use, wipe the tamper base with a clean, dry cloth to remove any coffee residue.
- For a more thorough cleaning, the tamper base can be wiped with a damp cloth and mild soap, then immediately dried completely.
- Do not immerse the entire tamper in water, especially the internal mechanism, as this may cause damage.
- Avoid using abrasive cleaners or scouring pads, which can scratch the surface.

Storage

Store the tamper in a dry place, away from direct sunlight and extreme temperatures, to prevent material degradation.

TROUBLESHOOTING

Inconsistent Tamping

- **Issue:** Coffee puck appears uneven or loosely packed.
- **Solution:** Ensure the tamper height is correctly adjusted for your portafilter and coffee dose. Verify that the tamper is placed squarely on the coffee grounds before applying pressure.

Tamper Sticking

- **Issue:** Tamper base sticks to the coffee puck after tamping.
- **Solution:** Ensure the tamper base is clean and free of sticky coffee oils. A slight twist during removal can also help.

SPECIFICATIONS

Feature	Detail
Base Diameter	58.35 mm
Overall Height	70 mm (adjustable)
Top Diameter	65 mm
Weight	550 g (approximately 1.21 lbs)
Mechanism	Slow Rebound, Constant Pressure

	Specification 58.35mm
weigh 550g	

Image: Technical drawing detailing the tamper's dimensions (65mm top, 70mm height, 58.35mm base) and its approximate weight of 550g.

WARRANTY INFORMATION

Warranty information for this product is not explicitly provided in the available documentation. Please refer to the retailer or point of purchase for details regarding warranty coverage and terms.

CUSTOMER SUPPORT

For any questions, concerns, or assistance with your Generic 58mm Slow Rebound Espresso Tamper, please contact the retailer from whom you purchased the product. They will be able to provide the most accurate and timely support.