



Manuals.plus /

› PURPLE LEAF /

› PURPLE LEAF 92KS 10' x 16' Louvered Pergola Instruction Manual

## PURPLE LEAF 92KS 10' x 16'

# PURPLE LEAF 92KS 10' x 16' Louvered Pergola Instruction Manual

## 1. PRODUCT OVERVIEW

---

This manual provides detailed instructions for the assembly, operation, and maintenance of your PURPLE LEAF 92KS 10' x 16' Louvered Pergola. This outdoor structure features an integrated LED strip lighting system, dual power options (solar and USB), a robust aluminum frame, and independently adjustable louvered roofs for versatile outdoor living.

Please read this manual thoroughly before beginning assembly or operation to ensure safe and correct use of the product.

## 2. SETUP AND ASSEMBLY

---

The PURPLE LEAF 92KS pergola is designed for straightforward assembly by two adults. All necessary components and step-by-step diagram instructions are included. Ensure you have adequate space and the proper tools before starting.

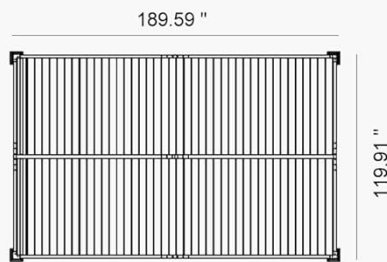
### 2.1 Site Preparation

- Choose a level and stable surface for installation.
- Clear the area of any obstructions or debris.
- Consider proximity to electrical outlets if using USB power for extended periods.

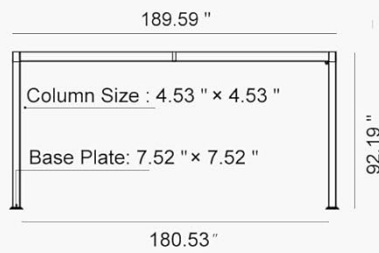
### 2.2 Dimensions and Components

Refer to the following diagram for detailed product dimensions and component sizes. Familiarize yourself with the parts before assembly.

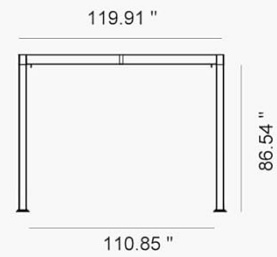
# Dimensions



Vertical View



Front View



Side View

**Figure 2.2.1:** Pergola Dimensions. This image displays the overall length (189.59"), width (119.91"), and height (92.19" / 86.54") of the pergola, along with column (4.53" x 4.53") and base plate (7.52" x 7.52") measurements from vertical, front, and side perspectives.

The pergola features 4.53-inch aluminum posts, which are wider than standard, contributing to its stability and wind resistance up to 70 MPH.



**Figure 2.2.2:** Post Comparison. This image illustrates the robust 4.53-inch square aluminum posts of the PURPLE LEAF pergola compared to a smaller 3.14-inch post, emphasizing enhanced stability.

### 3. OPERATING INSTRUCTIONS

#### 3.1 Adjustable Louvered Roofs

The pergola features dual independent adjustable louvered roofs, allowing you to control sunlight and airflow. The louvers can be adjusted from 0° (fully closed) to 85° (fully open) using the integrated crank mechanism.

- **To Open:** Rotate the crank handle to open the louvers, allowing sunlight and ventilation.
- **To Close:** Rotate the crank handle in the opposite direction to close the louvers, providing full shade and rain protection.

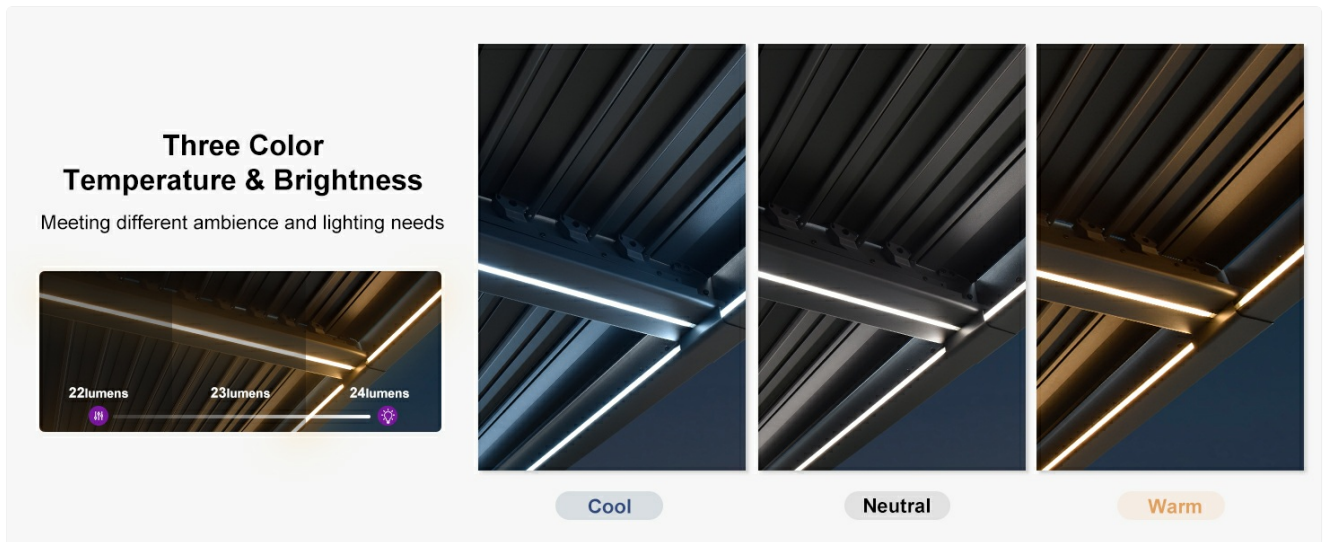


**Figure 3.1.1:** Louver Adjustment. This image demonstrates the louvered roof in both open and closed states, illustrating how to adjust them using the manual crank for optimal sun and shade control.

#### 3.2 Integrated LED Strip Lights

The pergola includes integrated LED strip lights with adjustable brightness and color temperature. These lights are controlled via the post-mounted console.

- **Brightness:** Choose from 3 levels (Low, Medium, High).
- **Color Temperature:** Select from 3 options (Cold, Neutral, Warm) to suit your ambiance.

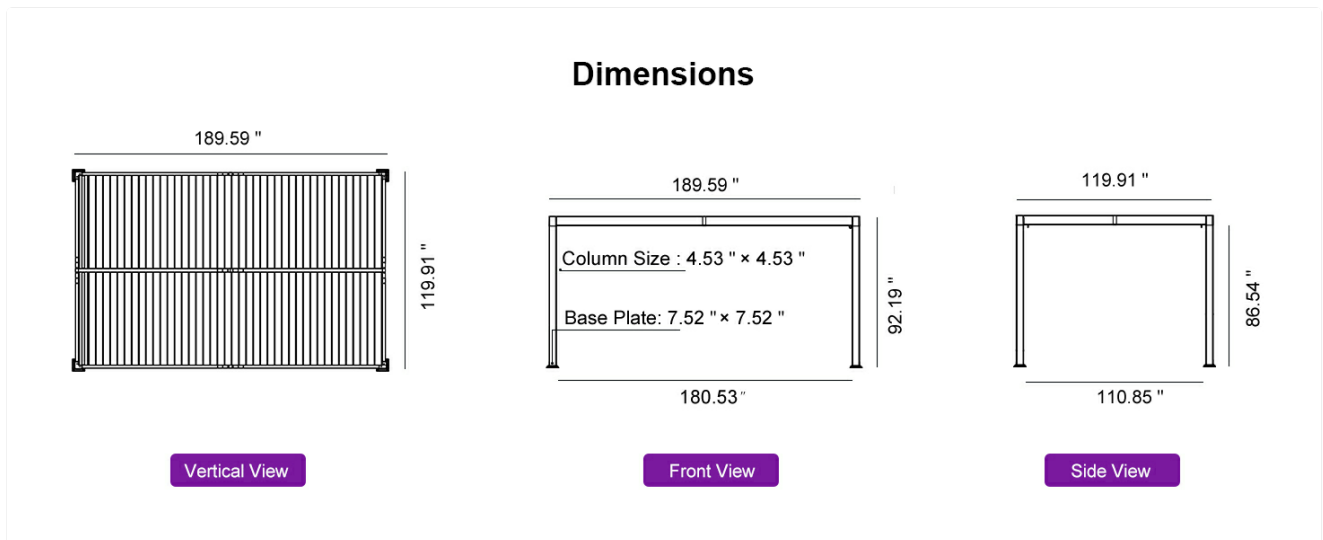


**Figure 3.2.1:** LED Light Options. This image displays the LED strip lights in Warm (22 lumens), Neutral (23 lumens), and Cool (24 lumens) color temperatures, demonstrating the customizable lighting options.

### 3.3 Dual Power Options

The LED lights and control console are powered by either solar energy or a USB backup.

- **Solar Power:** The integrated solar panel charges the internal battery during daylight hours for daily use.
- **USB Backup:** For prolonged cloudy periods or additional power, a USB port is available for charging the system. The USB output also allows you to charge external devices.



**Figure 3.3.1:** Power Options. This image shows the solar panel on the louvered roof and the control console with its USB charging port, highlighting the dual power capabilities.

### 3.4 Integrated Control Console

The control console, mounted on one of the posts, provides easy access to all lighting and power functions. It also features a battery display.

- **Battery Display:** Shows the current power level.
- **Dimmer Light:** Adjusts LED brightness.
- **Select Light Color:** Changes LED color temperature.
- **Close:** Likely refers to closing the louvers if integrated, or a general off function.

- **Light Switch:** Turns the LED lights on/off.
- **Power Button:** Main power control for the system.
- **USB Output:** For charging external devices.



**Figure 3.4.1:** Control Console. This image provides a detailed view of the post-mounted control console, indicating the functions of each button for managing lights and power, including the battery display and USB output.

## 4. MAINTENANCE

---

Regular maintenance will help preserve the appearance and functionality of your pergola.

### 4.1 Cleaning

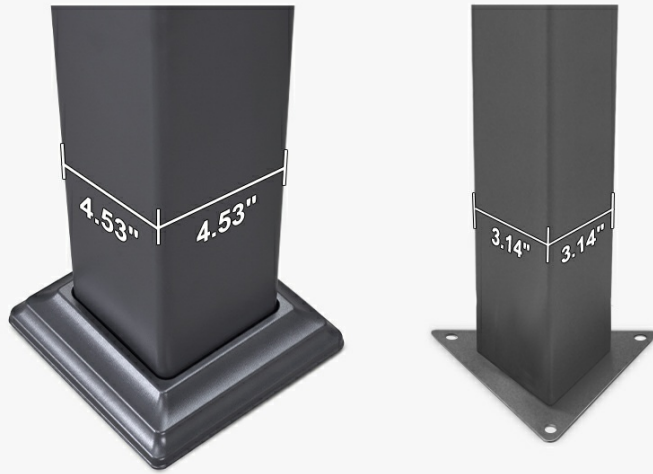
- **Frame and Louvers:** Clean the powder-coated aluminum frame and louvers with mild soap and water. Rinse thoroughly with clean water and dry with a soft cloth to prevent water spots. Avoid abrasive cleaners or harsh chemicals.
- **Solar Panel:** Periodically wipe the solar panel with a soft, damp cloth to remove dust and debris, ensuring optimal charging efficiency.

### 4.2 Gutter System

The pergola features a hidden gutter system that directs rainwater through the posts. Regularly inspect the gutters and the bottom notches of the posts for any blockages (e.g., leaves, debris) to ensure proper drainage and prevent water pooling.

### 4.5-inch Aluminum Posts, More Solid & Sturdy

Maximum wind resistant 70 mph



**Figure 4.2.1:** Hidden Gutter System. This diagram visually explains the pergola's integrated drainage, where rainwater is collected by the roof, channeled through the support columns, and discharged at the base, keeping the area dry.

## 4.3 General Inspection

Periodically check all bolts and connections to ensure they remain tight. Inspect the louver mechanism for smooth operation and lubricate if necessary.

## 5. TROUBLESHOOTING

If you encounter any issues with your pergola, refer to the following common troubleshooting steps:

- **LED Lights Not Turning On:**

- Check the battery level on the control console.
- Ensure the solar panel is clean and receiving direct sunlight.
- Try charging the system via the USB backup port.
- Verify all connections to the LED strips and control console are secure.

- **Louvers Not Adjusting Smoothly:**

- Inspect the louver mechanism for any physical obstructions (e.g., debris, leaves).
- Ensure the crank handle is properly engaged.
- Apply a silicone-based lubricant to moving parts if friction is detected.

- **Water Pooling on Roof or Around Base:**

- Ensure the louvers are fully closed during rain.
- Check the hidden gutter system and post drainage notches for blockages. Clear any debris.
- Verify the pergola is installed on a level surface to allow proper water flow.

For issues not covered here, please contact PURPLE LEAF customer support.

## 6. SPECIFICATIONS

Feature	Specification
Brand	PURPLE LEAF
Model	92KS
Material	Aluminum
Product Dimensions (L x W x H)	192.58" x 122.9" x 92.19" (10' x 16' nominal)
Frame Material	Aluminum
Water Resistance Level	Water Resistant
Shape	Rectangular
Ultraviolet Light Protection	True
Assembly Required	Yes
Color	Gray
Occupancy	4-6 People

## 7. WARRANTY AND SUPPORT

---

For warranty information, product support, or to order replacement parts, please refer to the documentation included with your purchase or visit the official PURPLE LEAF website. You may also contact PURPLE LEAF customer service directly for assistance.