

## ERYE Recliner Sectional

# ERYE L-Shaped Reversible Recliner Sectional Sofa User Manual

Model: Recliner Sectional

Brand: ERYE

## INTRODUCTION

---

Thank you for choosing the ERYE L-Shaped Reversible Recliner Sectional Sofa. This innovative 2-in-1 sofa is designed to offer both spacious seating and versatile functionality, including a pull-out sleeper and a functional recliner section. It is ideal for homes requiring comfort and adaptability. Please read this manual thoroughly before assembly and use to ensure proper setup and longevity of your product.

## SAFETY INFORMATION

---

- Ensure all parts are present and undamaged before assembly.
- Do not use power tools for assembly unless specifically instructed, as overtightening may damage components.
- Keep small parts away from children during assembly.
- Always lift the sofa when moving it; do not drag to prevent damage to legs or flooring.
- Do not stand on the sofa or its components.
- Ensure the pull-out bed mechanism is fully extended and locked before use as a bed.
- Do not exceed the maximum weight capacity of 330 lbs per seat.

## SETUP AND ASSEMBLY

---

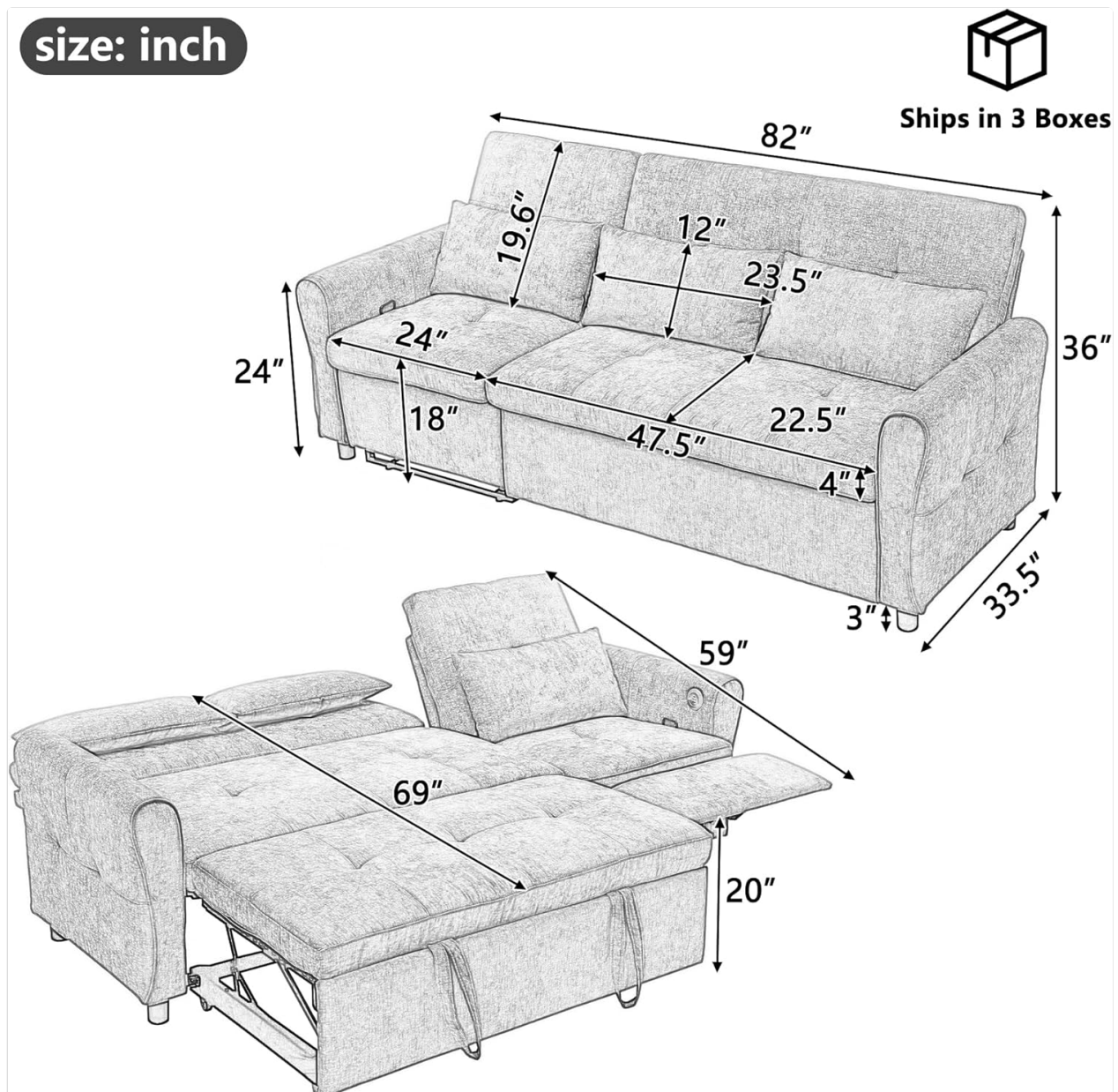
Assembly is required and typically takes approximately 60 minutes. It is recommended to have two people for assembly.

## Package Contents

Your sofa will arrive in multiple packages. Please verify all components are present before beginning assembly.

## Assembly Steps

1. **Unpack Components:** Carefully remove all parts from the packaging. Lay them out on a soft, clean surface to prevent scratches.
2. **Attach Legs:** Securely attach the plastic legs to the bottom of each sofa section. Ensure they are tightened firmly.
3. **Connect Sofa Sections:** Align the metal connectors on the sides of the sofa sections and slide them together until they lock. The reversible chaise section can be attached to either the left or right side.
4. **Install Backrests and Cushions:** Place the backrest cushions onto the sofa frame. The large cushion is for the corner seat, and the rest are small cushions.
5. **Power Connection:** Locate the power cord for the USB charging ports, typically found in a zippered pocket under the armrest. Plug it into a wall outlet.



**Image:** Overall dimensions of the sofa, including seat height, seat depth, backrest height, arm height, leg height, and sleeper area. The image also indicates that the sofa ships in 3 boxes.

**Video:** This video demonstrates the assembly process and various functionalities of the L-Shaped Reversible Recliner Sectional Sofa Sleeper, including the pull-out bed and recliner features.

**Video:** An installation guide for a similar sleeper sofa, demonstrating general assembly steps for modular sofa components.

## OPERATING INSTRUCTIONS

### Reversible Recliner Section

The functional recliner chair section can be installed on either the left or right side of the sofa, offering maximum flexibility to fit different room layouts. To recline, locate the lever on the side of the recliner and pull it to extend the footrest and recline the backrest.

### Three-Level Adjustable Backrest

Both backrests are designed with a three-position reclining system. The sofa bed section adjusts to 105°, 140°, and 180°, while the recliner section adjusts to 105°, 120°, and 140°. Adjust the angle individually for each seat by pushing or pulling the backrest to your desired position.



**Image:** Visual guide demonstrating the three adjustable backrest angles for the sofa bed (105°, 140°, 180°) and the recliner (105°, 120°, 140°).

## Pull-Out Sleeper Function

To convert the sofa into a sleeper bed, gently pull the hidden handle located beneath the main sofa cushions. The bed frame will slide out. Lift the extended section to align with the sofa cushions, creating a flat sleeping surface.



**Image:** The sofa transformed into a bed, highlighting the extended sleeping surface.

**Video:** Demonstration of a three-seater sofa converting into a sofa bed and showing the reversible recliner functionality.

## USB Charging Ports

The sofa is equipped with two built-in USB charging ports conveniently located on the armrest. Simply plug in your smartphone, tablet, or other electronic devices to charge them while relaxing.

# Three-Level Adjustable Backrests

Allow you to adjust the angle individually for each part



Image: Detail of the USB charging ports integrated into the armrest.

## MAINTENANCE AND CARE

- **Dusting:** Dust regularly with a soft, dry cloth.
- **Cleaning:** Clean gently with a clean, slightly damp cloth. Professional cleaning is recommended for deeper stains or overall refresh.
- **Sunlight Exposure:** Avoid direct sunlight to prevent fading of the chenille upholstery.
- **Chemicals:** Never apply or clean with harsh chemicals, as this may damage the fabric.
- **Cushion Care:** The backrest cushions are removable. The seat cushions are also removable.

## TROUBLESHOOTING

### Sofa Sections Not Connecting Properly

- Ensure the metal connectors on each section are correctly aligned.
- Check for any obstructions between the sections.
- Apply firm, even pressure to slide the sections together until they click into place.

## Pull-Out Bed Mechanism Sticking

- Ensure no objects are obstructing the mechanism underneath the sofa.
- Pull the handle firmly and evenly.
- Check if the wheels are clean and free of debris.

## USB Ports Not Charging

- Verify that the sofa's power cord is securely plugged into a working wall outlet.
- Check if the USB cable is properly connected to both the device and the sofa port.
- Test with a different USB cable or device to rule out cable/device issues.

## SPECIFICATIONS

Feature	Detail
Product Type	Sofa & Chaise, Sleeper
Upholstery Material	Chenille
Seating Capacity	3
Overall Dimensions	82"W x 33.5"D x 36"H
Seat Height	18"
Seat Depth	22.5"
Sleeper Area	47.5" x 69"
Weight Capacity	330 lbs/seat
Frame Material	Plywood + Iron
Leg Material	Plastic
Arm Type	Padded, Curved Armrests
Back Style	Cushion Back, Pillow Back, Tufted Back
Additional Features	Recliner, Tufted Cushion, USB Charging Ports, Reversible Orientation
Assembly Required	Yes (approx. 60 minutes)
Item Weight	168.5 lbs (Overall)

## WARRANTY AND SUPPORT

### Warranty Information

This product comes with a Limited Warranty. Please refer to your purchase documentation or contact the retailer for specific terms and conditions.

### Customer Support

For any questions, missing parts, or assistance with assembly or operation, please contact the manufacturer's

customer support. Refer to your purchase receipt or the product packaging for contact details.

---

© 2026 ERYE. All rights reserved.