



[Manuals.plus](#) /

> [EUHOMY](#) /

> EUHOMY 18 Bottle Compressor Wine Cooler Refrigerator (Model FWC010-14BL) User Manual

EUHOMY FWC010-14BL

EUHOMY 18 Bottle Compressor Wine Cooler Refrigerator

MODEL: FWC010-14BL

[Safety Information](#)

[Setup](#)

[Operation](#)

[Maintenance
& Support](#)

[Troubleshooting](#)

[Specifications](#)

[Warranty](#)

Introduction

Thank you for choosing the EUHOMY 18 Bottle Compressor Wine Cooler Refrigerator. This manual provides essential information for the safe and efficient use of your appliance. Please read it thoroughly before installation and operation, and retain it for future reference.



Image: The EÜHOMY 18 Bottle Compressor Wine Cooler Refrigerator, showcasing its sleek design and glass door.

Safety Information

To reduce the risk of fire, electric shock, or injury when using your appliance, follow these basic precautions:

- Read all instructions before using the appliance.
- Do not store explosive substances such as aerosol cans with a flammable propellant in this appliance.
- This appliance is intended for household use only.
- Do not allow children to operate, play with, or crawl inside the appliance.
- Do not use abrasive cleaners or sharp objects to clean the interior.
- Ensure proper grounding for electrical safety.
- Unplug the appliance before cleaning or performing maintenance.

Setup

Unpacking

Carefully remove all packaging materials, including the foam base and any adhesive tape. Inspect the appliance for any damage during transit. Keep packaging materials away from children.

Placement

Place the wine cooler on a flat, stable surface strong enough to support the unit when fully loaded. Ensure adequate ventilation around the unit. Maintain a minimum of 5 inches (12.7 cm) of space at the back and sides for proper air circulation. Avoid direct sunlight or heat sources.



Image: The wine cooler positioned in a living room, demonstrating its compact dimensions (13.5"W x 19.2"D x 30.9"H) for flexible placement in narrow spaces.

Leveling the Appliance

The wine cooler is equipped with adjustable leveling legs. Turn the legs clockwise to raise the unit or counter-clockwise to lower it. Ensure the appliance is level to prevent vibrations and ensure proper door

sealing.

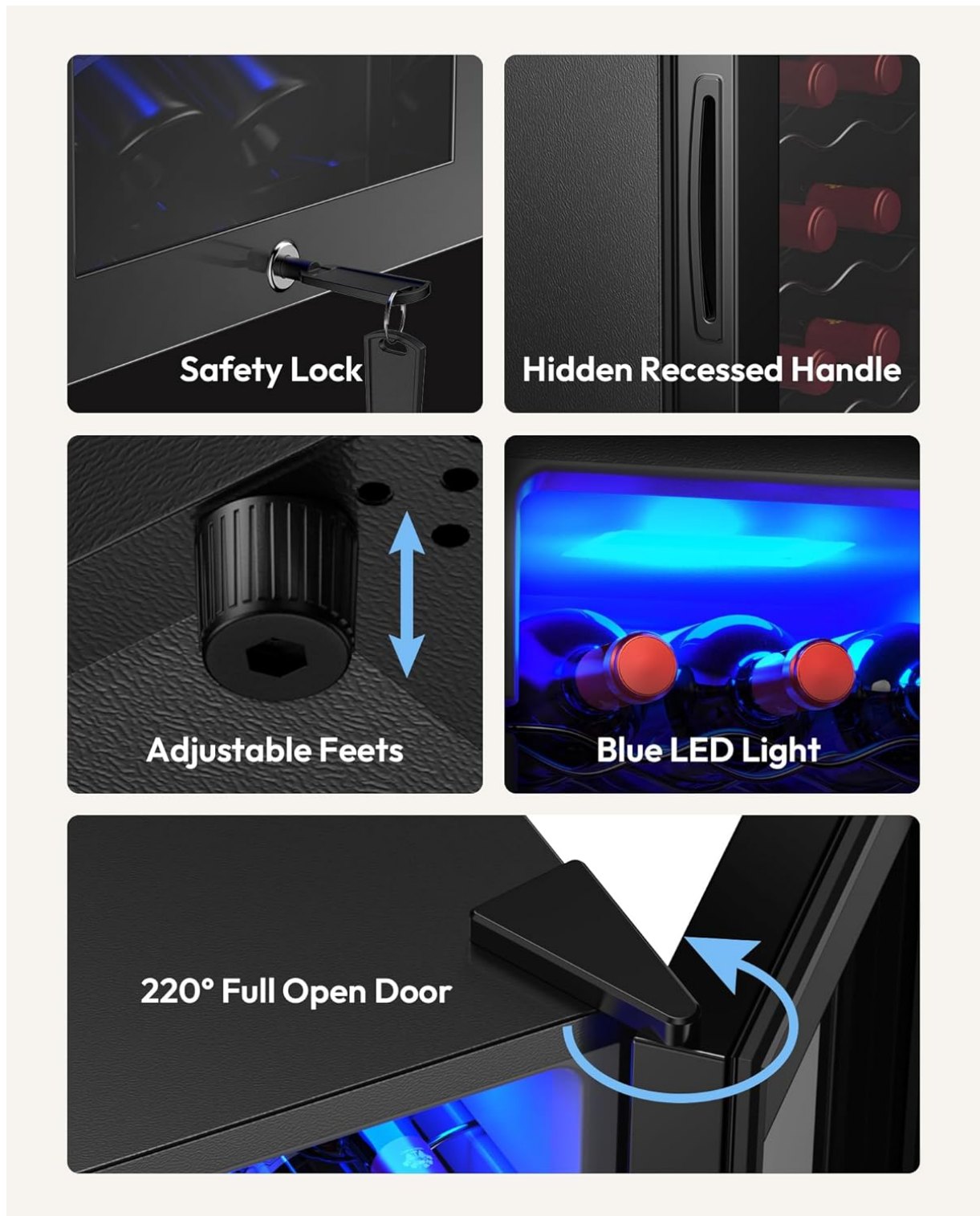


Image: A detailed view of the adjustable feet, showing how to adjust them for leveling the unit.

Power Connection

Plug the appliance into a dedicated, grounded 115V AC outlet. Do not use extension cords or adapters. Allow the unit to stand upright for at least 2-4 hours before plugging it in to allow the refrigerant to settle.

Initial Use

After plugging in, allow the wine cooler to operate for approximately 24 hours to reach its set temperature before loading bottles.

Operating Instructions

Control Panel

The wine cooler features an external touchscreen control panel for easy temperature adjustment and lighting control without opening the door.

- **ON/OFF Button:** Press to turn the unit on or off.
- **LED Light Button:** Press to turn the interior blue LED light on or off.
- **Temperature Up (▲) / Down (▼) Buttons:** Press to adjust the desired temperature. The temperature range is 41°F to 64°F (5°C to 18°C).



41°F-64°F
Precise Temperature Control

ON / OFF LED Light Temp Up Temp Down

55-64°F
Red Wine

48-53°F
White Wine

45-55°F
Rosé Wine

41-46°F
Sparkling / Champagne

Image: The precise digital temperature control panel, showing the ON/OFF, LED Light, Temperature Up, and Temperature Down buttons, along with recommended temperatures for various wine types.

Loading Bottles

The wine cooler can store up to 18 standard 750ml wine bottles. It includes 5 removable chrome-plated shelves and a specially designed upright holder for 3 opened bottles at the bottom.

- Arrange bottles to allow for proper air circulation.
- The removable shelves can be adjusted to accommodate different bottle sizes.
- Use the bottom upright holder for opened bottles to prevent leakage.



Image: The interior of the wine cooler, illustrating its 18-bottle capacity, 5 removable wave shelves, and the dedicated bottom space for storing open bottles upright.

Internal Lighting

The soft blue LED lighting illuminates your wine collection, enhancing visibility without affecting the wine's flavor. It can be turned on or off via the control panel.

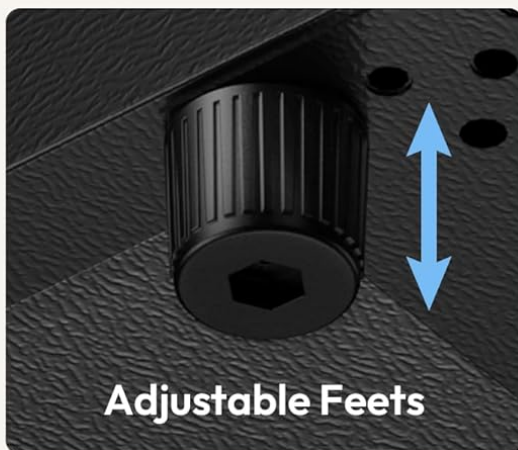
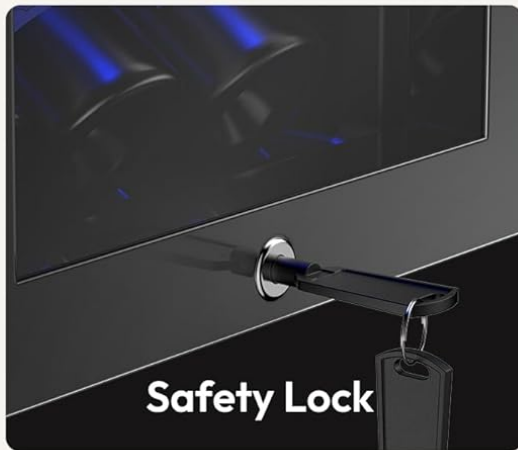


Image: A close-up of the soft blue LED light inside the wine cooler, providing clear visibility of the bottles.

Door Lock

The wine cooler is equipped with a lockable door and two keys for secure storage of your collection.

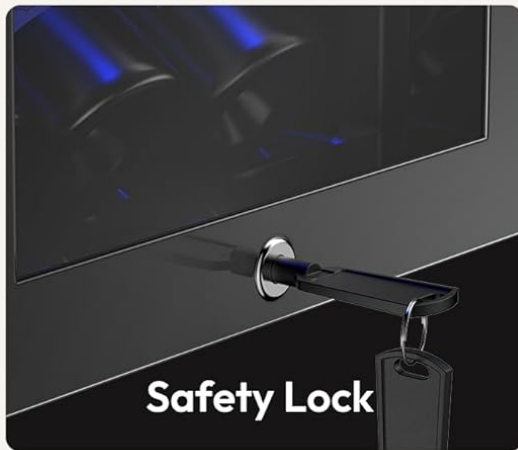


Image: A detailed view of the built-in safety lock and keys, designed to protect your wine collection.

UV-Resistant Glass Door

The double-layered glass door blocks harmful UV rays, helping to maintain a stable internal temperature and humidity, which is crucial for preserving wine flavor.

Double-Layered Glass Door



Image: The double-layered glass door, illustrating its UV protection capabilities and how it helps maintain cork moisture compared to single-layer doors.

Quiet Operation

The advanced compressor operates at a quiet 40 dB, ensuring minimal disturbance in your living space.

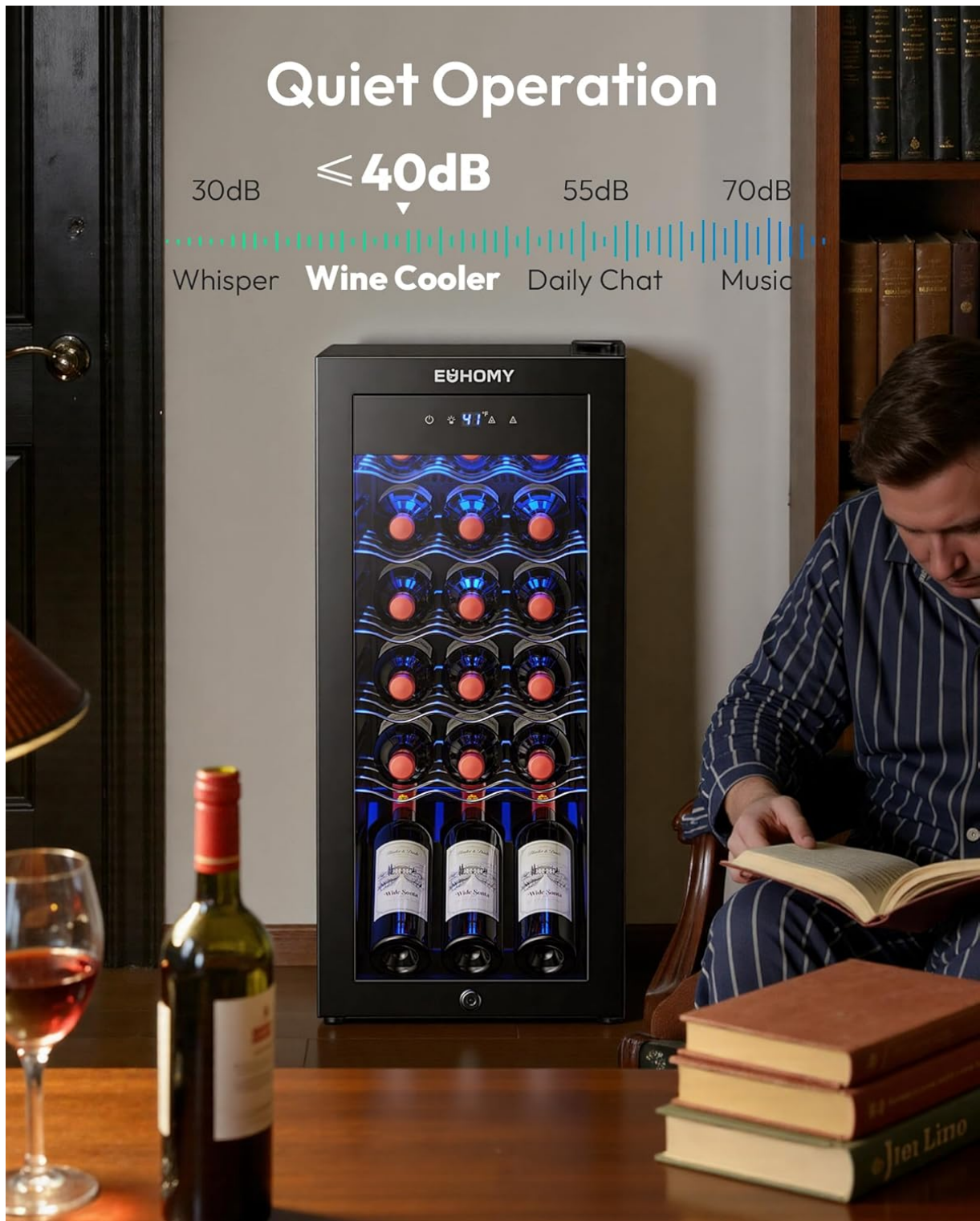


Image: The wine cooler in a quiet setting, demonstrating its low noise level (below 40dB) during operation.

Energy Efficiency

The unit consumes only 0.43 kWh per day, making it an energy-efficient choice for wine storage.

Only 0.43 kWh/Day

\$0.05
per / Day



Image: The wine cooler in a home, emphasizing its energy efficiency with a display indicating 0.43 kWh/Day consumption.

Cooling System

The compressor cooling system, combined with 360° air cooling and fan-assisted precise temperature control, ensures even and stable temperatures throughout the cabinet, preserving the aroma and flavor of your wines.

Consistent Temperature, Better Wine Taste



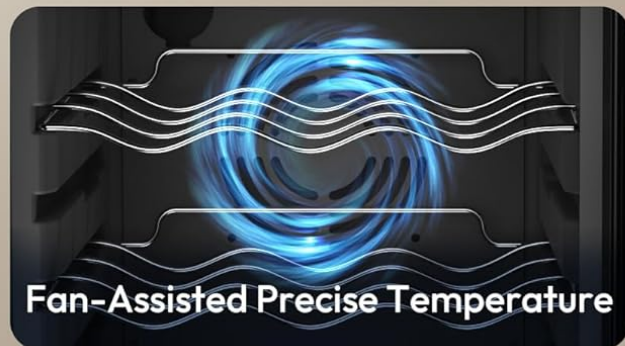
360° Even Cooling



Vibration Free



70W Compressor Fast Cooling



Fan-Assisted Precise Temperature

Image: Visual representation of the 70W compressor for fast cooling, 360° even cooling, and fan-assisted precise temperature distribution.

Official Product Video

Your browser does not support the video tag.

Video: An official product video from EUHOMY showcasing the features and operation of the 18 Bottle Wine Cooler, including its control panel, capacity, UV-resistant glass door, and removable shelves.

Maintenance

Cleaning

- **Interior:** Unplug the unit. Wash the interior surfaces with a solution of warm water and baking soda

(2 tablespoons of baking soda to 1 quart of water). Rinse and dry thoroughly.

- **Exterior:** Clean the exterior with a mild detergent and warm water. Wipe dry with a soft cloth.
- **Glass Door:** Use a glass cleaner or mild soap solution to clean the glass door. Avoid abrasive cleaners.
- **Door Seal:** Clean the door gasket regularly to ensure a proper seal.

Defrosting

This wine cooler features a frost-free defrost system, eliminating the need for manual defrosting.

Shelf Care

The chrome-plated shelves can be removed for cleaning. Wash them with mild soap and water, then dry completely before returning them to the unit.

Long-Term Storage

If the appliance will not be used for an extended period, unplug it, clean the interior, and leave the door slightly ajar to prevent odors and mold growth.

Troubleshooting

Problem	Possible Cause	Solution
Appliance does not operate	Not plugged in; circuit breaker tripped; temperature set too high.	Ensure plug is secure; reset circuit breaker; set temperature lower.
Temperature is not cold enough	Door not closed properly; frequent door openings; poor ventilation; excessive items inside.	Check door seal; reduce door openings; ensure proper clearance; do not overload.
Vibrations	Appliance not level.	Adjust leveling legs.
Noise	Normal compressor operation; loose items inside.	This is normal; ensure bottles are stable on shelves.
Door does not close properly	Appliance not level; gasket dirty or damaged; shelves out of position.	Level the unit; clean/replace gasket; reposition shelves.

Specifications

Feature	Detail
Model Number	FWC010-14BL
Product Dimensions (D x W x H)	19.2" x 13.5" x 30.9"
Capacity	18 Bottles (750ml standard) / 1.58 Cubic Feet
Temperature Range	41°F - 64°F (5°C - 18°C)
Cooling Method	Compressor

Feature	Detail
Defrost System	Frost Free
Number of Shelves	5 (Removable, Chrome Plated)
Door Type	Double-Layered Glass, UV-Resistant
Noise Level	≤ 40 dB
Energy Consumption	0.43 kWh/day (Annual: 158 kWh/year)
Voltage	115 Volts (AC)
Item Weight	42.9 Pounds
Special Features	Adjustable Shelves, Digital Temperature Control, Lockable Door, Hidden Handle, Adjustable Leveling Legs, Blue LED Light

Warranty & Support

This EUHOMY wine cooler is ETL certified for safety and reliability. It comes with a 1-year manufacturer's warranty. Your purchase also includes 12 months of technical support.

If you have any questions, require assistance, or need to claim warranty service, please contact our support team. We are committed to providing prompt assistance.

For support, please refer to the contact information provided on the EUHOMY official website or your purchase documentation.