

[Manuals.plus](#) /

> [CVLIFE](#) /

> CVLIFE 4x32 Compact Rifle Scope (11mm Mil-dot MOA) Instruction Manual

CVLIFE 4x32 Compact Rifle Scope 11mm Mil-dot (MOA)

CVLIFE 4x32 Compact Rifle Scope (11mm Mil-dot MOA) Instruction Manual

Model: 4x32 Compact Rifle Scope 11mm Mil-dot (MOA)

1. OVERVIEW

The CVLIFE 4x32 Compact Rifle Scope is designed for precision and durability, offering a fixed 4x magnification and a 32mm objective lens. It features fully multi-coated optical glass for bright, high-contrast images and is constructed from high-strength aluminum alloy. This scope is inert gas purged, making it fog, shock, and waterproof, suitable for various weather conditions. Its compact design (7.48 inches / 190mm length) makes it ideal for quick target acquisition.



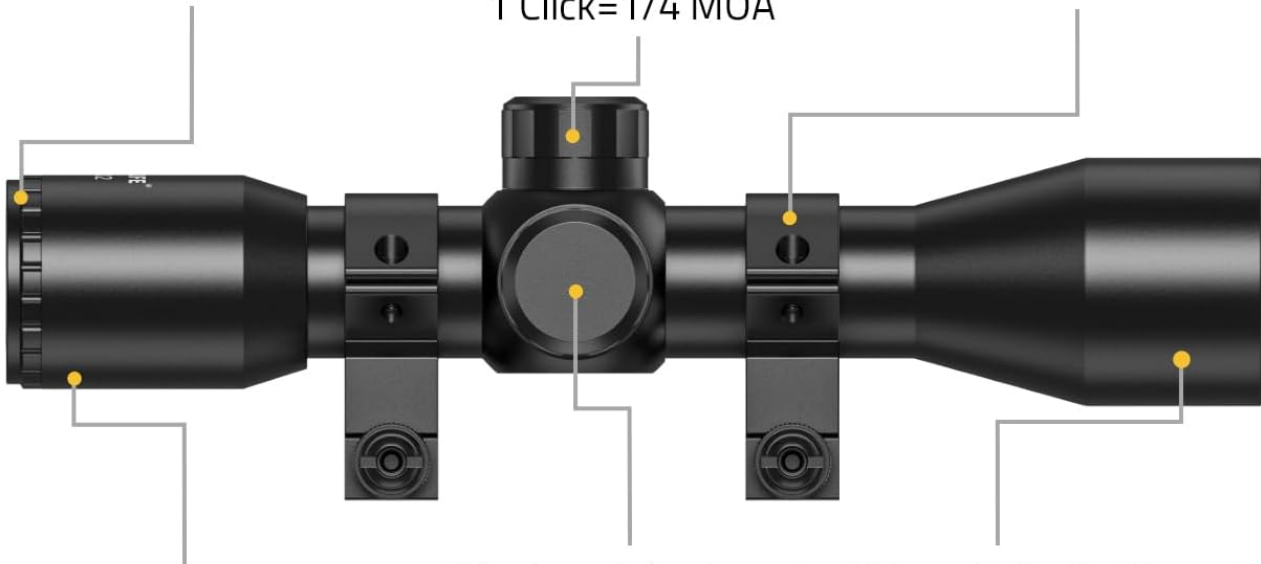
Fast Diopter Adjustment



Elevation Adjustment
1 Click=1/4 MOA



11 mm Rail Mount



4X Magnification

Windage Adjustment
1 Click=1/4 MOA

32mm Fully Multi-coated
Objective Lens



Figure 1: Overview of the CVLIFE 4x32 Compact Rifle Scope, highlighting its 4x magnification, 32mm objective lens, fast diopter adjustment, 11mm rail mount, and windage/elevation adjustments (1 click = 1/4 MOA).

Key Features:

- **Magnification:** Fixed 4x power for consistent viewing.
- **Objective Diameter:** 32mm (1.26 inches) for ample light gathering.
- **Eye Relief:** 3.3 inches (83.82mm) for comfortable viewing.
- **Length:** 7.48 inches (190mm), providing a compact profile.
- **Optics:** Fully multi-coated optical glass for bright, high-contrast images.
- **Construction:** High-strength aluminum alloy for durability.
- **Environmental Protection:** Inert gas purged, fogproof, shockproof, and waterproof.
- **Adjustments:** Windage and elevation adjustments with 1/4 MOA clicks.
- **Mounts:** Includes 11mm dovetail mounts.



Figure 2: Detailed dimensions of the CVLIFE 4x32 Compact Rifle Scope, showing its 7.48 inch (190mm) length and 1.25 inch (32mm) objective diameter, along with the 11mm dovetail rail mount dimensions.

2. PACKAGE CONTENTS

Upon opening your CVLIFE 4x32 Compact Rifle Scope package, please verify that all the following items are included:

- 1 x CVLIFE 4x32 Compact Rifle Scope
- 1 x Lens Cover
- 2 x 11mm Scope Mounts

- 1 x Clean Cloth
- 1 x Allen Wrench



1 X 4x32 Scope	1 X Clean Cloth
1 X Lens Cover	1 X Allen Wrench
2 X 11mm Scope Mount	

Figure 3: All items included in the CVLIFE 4x32 Compact Rifle Scope package: the scope, lens cover, 11mm scope mounts, cleaning cloth, and Allen wrench.

3. SETUP AND MOUNTING

3.1 Attaching the Mounts to the Scope

1. Separate the two halves of each scope ring. Ensure the friction material inside the rings remains in place, as it aids in secure clamping without excessive torque.
2. Place the lower halves of the 11mm dovetail mounts onto the rifle's 11mm rail. Position them appropriately for your desired eye relief.
3. Carefully place the scope into the lower halves of the rings.

- Place the upper halves of the rings over the scope, aligning the screw holes.
- Insert the screws and tighten them finger-tight using the provided Allen wrench. Ensure the gap between the upper and lower halves of the rings is even on both sides. Do not fully tighten at this stage.

3.2 Mounting the Scope to the Rifle

- With the scope loosely mounted, shoulder your rifle and adjust the scope's position forward or backward until you achieve optimal eye relief (the distance from your eye to the eyepiece where you see a full, clear image).
- Ensure the reticle is level with the horizon.
- Once the position and level are satisfactory, gradually tighten the ring screws in an alternating pattern (e.g., front-left, rear-right, front-right, rear-left) to ensure even pressure. **Do not overtighten**, as this can damage the scope tube or affect its internal mechanisms.
- Finally, tighten the clamp nuts on the dovetail mounts to secure the entire assembly to the rifle rail.



Figure 4: Diagram illustrating the compatibility of the included 11mm dovetail mounts with 3/8 inch / 11mm dovetail rails, and incompatibility with 20mm standard rails.

4. OPERATING THE SCOPE

4.1 Diopter Adjustment (Eyepiece Focus)

The diopter adjustment ring, located at the eyepiece, allows you to sharpen the reticle for your individual vision. To adjust:

- Point the scope at a clear, bright area (like a blank wall or the sky), but **never directly at the sun**.
- Look through the scope and quickly glance away. Then, quickly look back through the scope.
- While looking through the scope, rapidly rotate the diopter adjustment ring until the reticle appears sharp and clear. Repeat the quick glance away and back until the reticle is instantly clear when you look through the scope.

4.2 Magnification

This CVLIFE 4x32 Compact Rifle Scope features a fixed 4x magnification. This means the image you see through the scope will always be magnified four times, providing a consistent field of view without the need for adjustment.

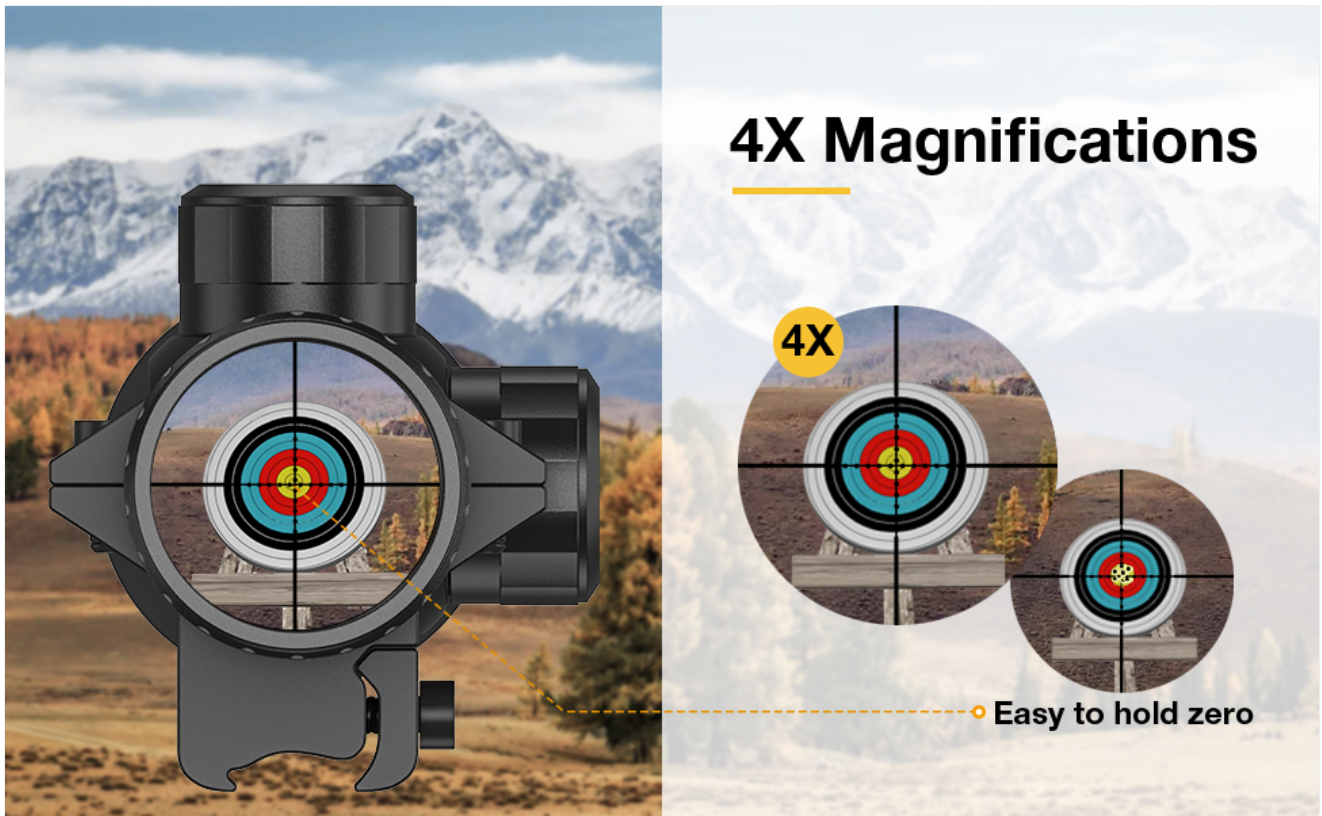


Figure 5: Visual representation of the 4x magnification provided by the scope, showing a target appearing four times larger than with the naked eye.

4.3 Windage and Elevation Adjustment

The scope features external turrets for adjusting windage (horizontal) and elevation (vertical) to zero your rifle. Each click of the turret adjusts the point of impact by 1/4 MOA (Minute of Angle).

- **Elevation Turret:** Located on top of the scope. Rotate to adjust vertical point of impact. "UP" typically moves the impact up, "DOWN" moves it down.
- **Windage Turret:** Located on the right side of the scope. Rotate to adjust horizontal point of impact. "L" (Left) moves the impact left, "R" (Right) moves it right.

These turrets are tool-less, allowing for easy adjustments in the field without the need for coins or screwdrivers. After zeroing, replace the protective caps to prevent accidental adjustments.



Figure 6: Close-up of the elevation adjustment turret, showing markings for "UP" and "1 Click = 1/4 MOA".



Figure 7: Close-up of the windage adjustment turret, showing markings for "L" (Left) and "1 Click = 1/4 MOA".

4.4 Parallax Adjustment

This CVLIFE 4x32 Compact Rifle Scope features a fixed parallax setting. It is optimized for general use and does not require manual parallax adjustment. This design simplifies operation and is suitable for common shooting distances.

4.5 Reticle

The scope is equipped with a Mil-dot (MOA) crosshair reticle. This reticle provides reference points for holdovers and windage corrections, assisting in precise shot placement at varying distances.

5. MAINTENANCE

5.1 Cleaning the Lenses

To maintain optical clarity, clean the lenses regularly. Use the provided clean cloth or a soft, lint-free lens cloth. For stubborn dirt or smudges, use a small amount of lens cleaning fluid specifically designed for optics. Avoid using harsh chemicals or abrasive materials, which can damage the lens coatings.

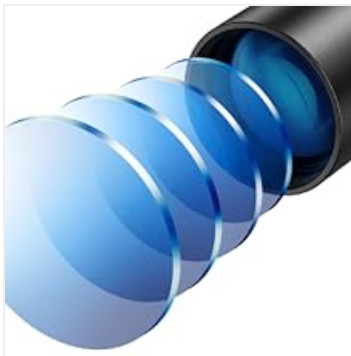


Figure 8: The fully multi-coated objective lens, designed for optimal light transmission and image clarity. Proper cleaning helps maintain these coatings.

5.2 General Care and Storage

- Always use the lens covers when the scope is not in use to protect the lenses from dust and scratches.
- Store the scope in a cool, dry place, away from direct sunlight and extreme temperatures.
- Periodically check all mounting screws and ensure they are securely tightened.
- The scope is inert gas purged, fogproof, shockproof, and waterproof, but avoid unnecessary exposure to harsh conditions or submersion.



Figure 9: The waterproof eyepiece, demonstrating the scope's resistance to moisture and environmental elements.

6. TROUBLESHOOTING

- **Blurry Reticle:** Adjust the diopter (eyepiece focus) as described in Section 4.1.
- **Blurry Target Image:** Ensure the target is within the effective range of the scope's fixed parallax setting.
- **Inconsistent Point of Impact (POI) / Not Holding Zero:**
 - Check all mounting screws (rings and rail clamps) for tightness. Loose mounts are a common cause of zero shift.
 - Ensure the scope is properly seated in the rings and not rotating.
 - Verify that the rifle's rail itself is securely attached to the firearm.
- **Difficulty Adjusting Turrets:** Ensure the protective caps are fully removed. The turrets are designed for tool-less adjustment.
- **Fogging Inside the Scope:** While the scope is fogproof, extreme temperature changes can sometimes cause temporary external condensation. If internal fogging occurs, contact customer support.

7. SPECIFICATIONS

Feature	Specification
Brand	CVLIFE
Model Name	CVLIFE 4x32 Compact
Magnification	4x (Fixed)
Objective Lens Diameter	32 mm
Eye Relief	3.3 inches (83.82 mm)
Length	7.48 inches (190 mm)
Material	Aluminum
Color	Black
Reticle Type	Mil-dot (MOA) Crosshair
Mounting Type	Dovetail Mount (11mm)
Adjustment Click Value	1/4 MOA

Feature	Specification
Environmental Features	Fogproof, Shockproof, Waterproof (Inert Gas Purged)
Compatible Devices	Handgun, Rifle

8. WARRANTY AND SUPPORT

For information regarding warranty coverage, product support, or service inquiries, please refer to the official CVLIFE website or contact their customer service department directly. Keep your purchase receipt as proof of purchase for any warranty claims.

You can visit the [CVLIFE Store on Amazon](#) for additional product information and support resources.