



[Manuals.plus](#) /

> [domi outdoor living](#) /

> Domi 12x24FT Outdoor Gazebo Instruction Manual

domi outdoor living 12x24FT Hardtop Gazebo

Domi 12x24FT Outdoor Gazebo Instruction Manual

Model: 12x24FT Hardtop Gazebo

IMPORTANT SAFETY INFORMATION

Please read and understand all instructions and safety warnings before assembly and use of this gazebo. Failure to follow these instructions may result in injury or property damage.

- Ensure all components are present and undamaged before beginning assembly.
- Assembly requires at least two people. Some steps may require three people for safety and ease.
- Wear appropriate safety gear, including gloves and eye protection, during assembly.
- Do not assemble in strong winds or adverse weather conditions.
- Securely anchor the gazebo to the ground using appropriate hardware (ground anchoring hardware not included).
- Regularly inspect the gazebo for loose connections, damage, or wear. Tighten fasteners as needed.
- Clear snow accumulation from the roof to prevent structural damage.
- Verify local regulations regarding outdoor structure installation before proceeding.

SETUP AND ASSEMBLY

The Domi 12x24FT Hardtop Gazebo is designed for straightforward assembly, but requires patience and attention to detail. It is highly recommended to have at least two to three people for the assembly process.

Preparation:

1. **Unpack and Inventory:** Carefully unpack all boxes. Identify and catalog every part, bolt, and screw. Each component is coded and individually wrapped. This step is crucial for a smooth assembly.
2. **Organize Components:** Separate hardware into labeled containers to easily find them during assembly.
3. **Clear Assembly Area:** Ensure you have a large, flat, and clear area for assembly.

Assembly Steps:

Follow the provided 56-page manual meticulously. Do not skip steps or attempt shortcuts. The structure requires precise alignment.

- **Frame Assembly:** Begin by assembling the main frame components. Hand-tighten all nuts and bolts initially. This

allows for adjustments as the structure takes shape.

- **Post Installation:** The four main posts are approximately 25 lbs each. Ensure they are square and properly aligned.
- **Roof Panel Installation:** This is often the most challenging part. The roof panels and Z-clips require careful alignment. Using painter's tape to temporarily hold small panels in place can be helpful. Ensure the hanging hooks are loosened sufficiently before aligning panels.
- **Final Tightening:** Once all components are assembled and aligned, go back and securely tighten all nuts and bolts. Avoid over-tightening ridge panel bolts to prevent potential leaks.
- **Base Covers:** Install the watertight base covers over the post bases to block rain, prevent rust, and enhance appearance.



Image: Fully assembled Domi 12x24FT Outdoor Gazebo with curtains and netting.

Dimensions of Domi Gazebo

Create a comfortable outdoor living space for your family.

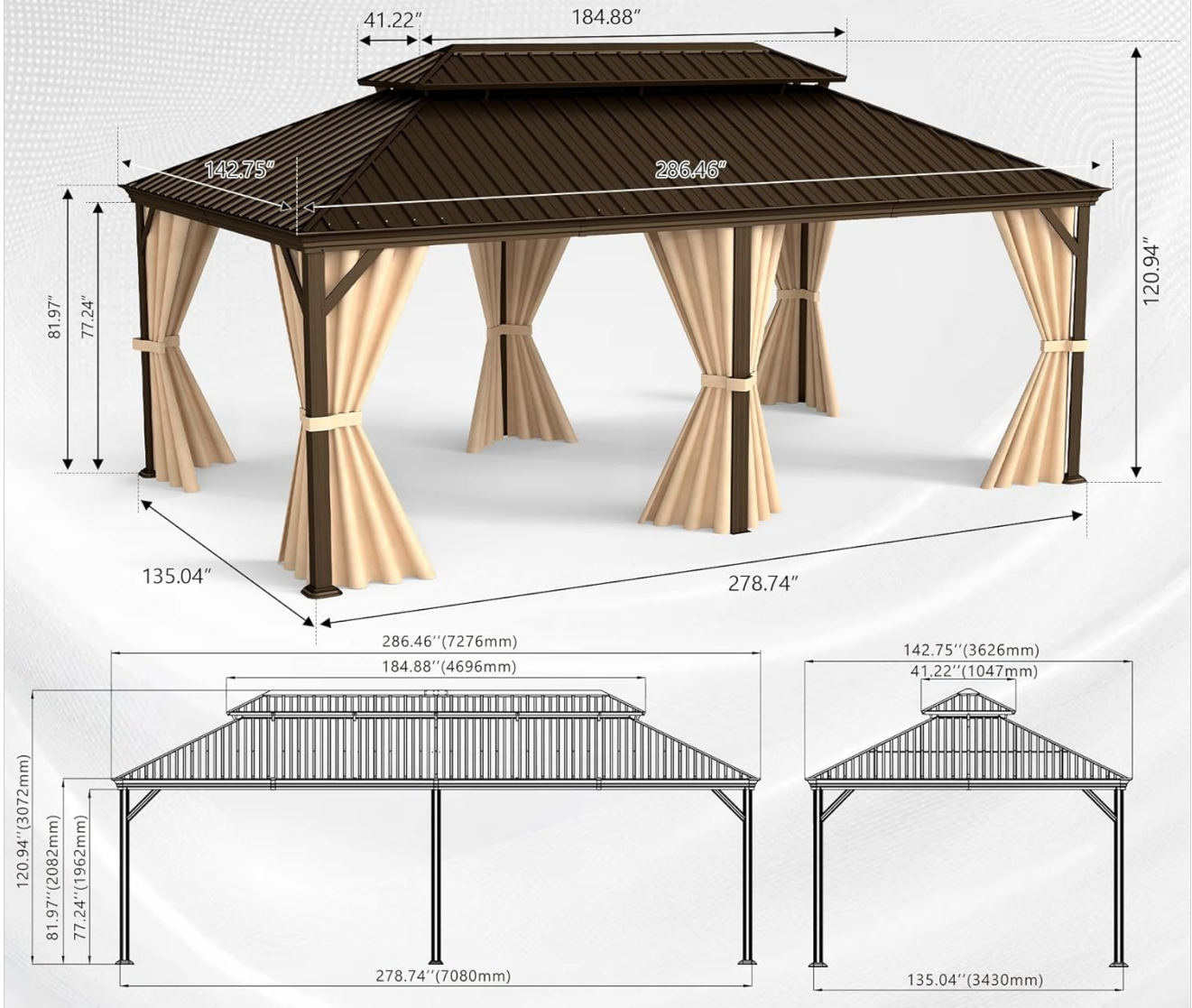


Image: Detailed dimensions of the Domi Gazebo, showing length, width, and height measurements.

OUTDOOR HARDTOP GAZEBO

EXPAND YOUR LIVING SPACE BY
BRINGING THE INDOORS OUTSIDE

12X24



Image: Overview of the Domi Outdoor Hardtop Gazebo, highlighting its 12x24FT size.

OPERATING FEATURES

The Domi Hardtop Gazebo offers several features designed for comfort and functionality.

Ventilated Double Roof:

The double-roof system is designed to promote airflow, reducing heat buildup and maintaining a comfortable temperature within the gazebo. This ventilation also helps with stability in windy conditions.



Image: Close-up of the double-roof design, illustrating airflow, UV blocking, and rain/snow resistance. A central net is visible to keep bugs out.

Integrated Drainage System:

The sloped roof and integrated gutters are engineered to direct rainwater away efficiently, preventing water accumulation on the roof and ensuring the area beneath remains dry. While designed for efficiency, heavy rainfall may test its capacity.



Image: Illustration of the water gutter design, showing how water flows down the sloped roof and into the drainage system.

Curtains and Netting:

The gazebo includes removable netting to protect against insects while allowing air circulation. Privacy curtains can be deployed for shade or privacy. Both feature zippered closures.

REMOVEABLE CURTAINS & NETTINGS

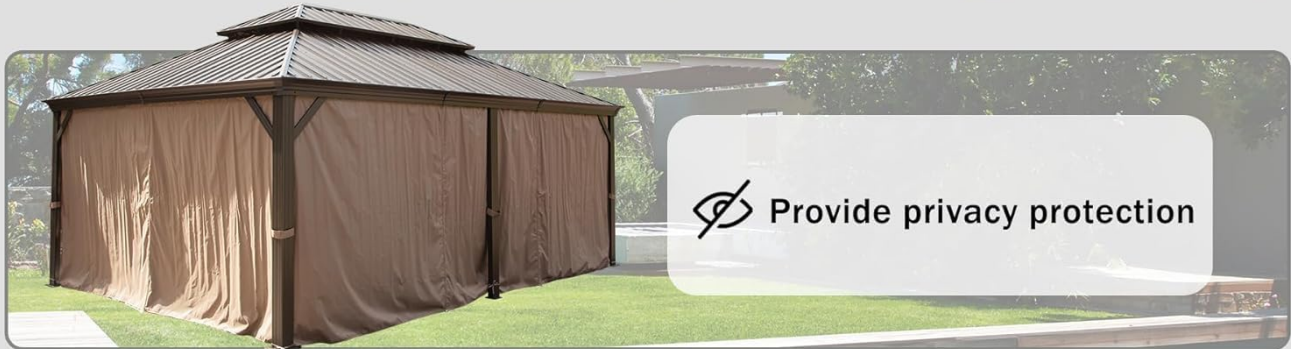


Image: Three views of the gazebo demonstrating the use of removable curtains and netting: open for a panoramic view, netting deployed for insect prevention, and curtains closed for privacy.

Ceiling Hooks:

Three "J" hooks are provided on the ceiling structure for hanging lightweight items such as lights, fans, or decorative elements.



Image: Interior view of the gazebo roof showing five ceiling hooks for hanging lights, fans, or decorations, along with the updated mesh.

MAINTENANCE

Proper maintenance will extend the life and appearance of your Domi Gazebo.

- **Cleaning:** Clean the metal frame and roof panels with mild soap and water. Avoid abrasive cleaners or harsh chemicals that could damage the finish.
- **Fabric Care:** The curtains and netting are made from 160G/M2 PU Coated Polyester. Clean them with a damp cloth and mild detergent. Ensure they are completely dry before storing or folding to prevent mildew.
- **Fastener Check:** Periodically check all bolts and screws to ensure they remain tight. Re-tighten as necessary.
- **Snow Removal:** In areas with heavy snowfall, regularly remove snow from the roof to prevent excessive weight and potential structural damage.
- **Drainage System:** Keep gutters clear of debris (leaves, twigs) to ensure efficient water drainage.

TROUBLESHOOTING

Problem	Possible Cause	Solution
Difficulty aligning roof panels	Frame not perfectly square; bolts overtightened prematurely; Z-clips falling off.	Ensure the main frame is square before installing roof panels. Only hand-tighten bolts until all panels are in place. Use painter's tape to temporarily secure small panels. Loosen hanging hooks if they obstruct panel placement.
Water leakage from roof	Roof panels not properly sealed; ridge panel bolts overtightened.	Check all roof panel connections for proper seating and sealing. Ensure ridge panel bolts are tightened sufficiently but not excessively to avoid deforming seals.
Ineffective water drainage	Gutters clogged with debris; roof profile not level.	Regularly clear debris from gutters. Verify the gazebo is installed on a level surface to ensure proper water flow.
Gazebo feels unstable	Not properly anchored; loose fasteners.	Ensure the gazebo is securely anchored to the ground using appropriate hardware. Check and tighten all frame fasteners.

SPECIFICATIONS

Feature	Detail
Brand	domi outdoor living
Model	12x24FT Hardtop Gazebo
Material	Metal (Galvanized Steel Double Roof)
Product Dimensions (L x W x H)	286.46"L x 142.72"W x 120.94"H
Item Weight	245 Pounds
Water Resistance Level	Water Resistant
Shape	Rectangular
Ultraviolet Light Protection	Yes
Column Thickness	3.9 inches (All-metal)
Wind Rating	Up to 40 MPH
Curtain/Netting Material	160G/M2 PU Coated Polyester

Superior Column Thickness Compared to Others

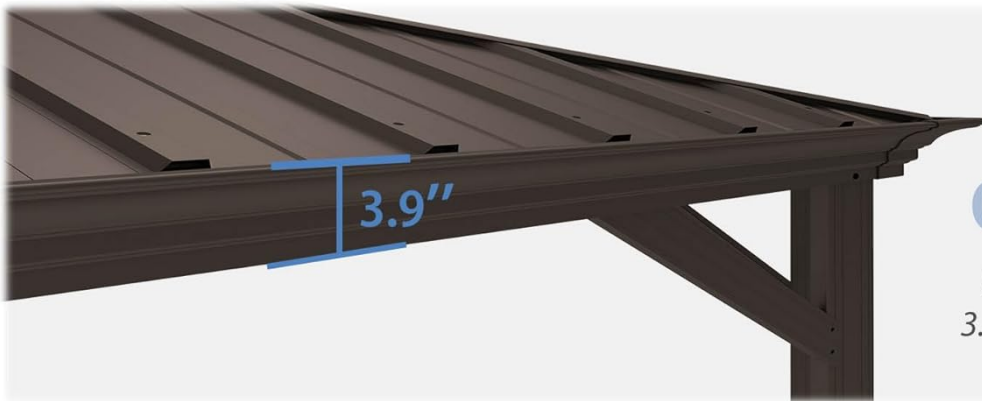
All-metal 3.9-inch column



Image: Comparison showing the superior 3.9-inch column thickness of the Domi gazebo compared to thinner alternatives.

OURS

Extra Support and longevity:
5.9" reinforced beam

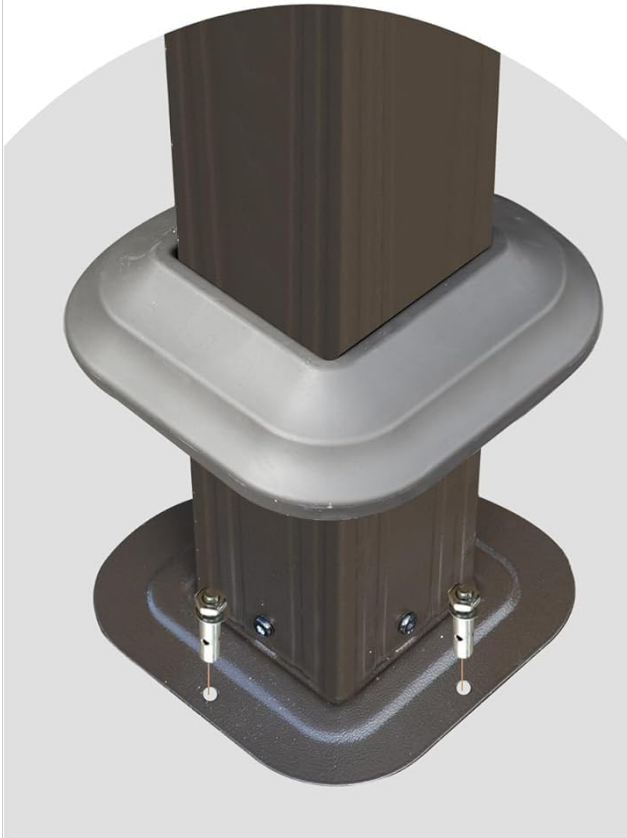


OTHERS

Reduced Support:
3.9" reinforced beam

Image: Illustration highlighting the 5.9-inch reinforced beam for extra support and longevity, compared to a 3.9-inch beam.

Watertight Base Cover



BASE COMBINED WITH COVER

Blocks rain, prevents rust, and enhances the appearance of your gazebo.



EXPOSED BASE WITHOUT COVER

Rainwater seeps through holes, causing wet floors and rusted metal parts.

Image: Comparison of a base combined with a cover (Domi) which blocks rain and prevents rust, versus an exposed base without a cover (Other) which can lead to rust.

WARRANTY AND SUPPORT

Domi Outdoor Living is committed to providing quality products and customer satisfaction.

- **Warranty:** This product comes with a 5-year after-sales service. Please retain your proof of purchase for warranty claims.
- **Customer Support:** For any questions, assistance with assembly, or to report missing/damaged parts, please contact Domi Outdoor Living customer support. Team support is available 24 hours.
- **Contact Information:** Refer to the contact details provided with your purchase documentation or visit the official Domi Outdoor Living website.