

Restmo O-LS-8-GN

RESTMO Turbo Oscillating Sprinkler User Manual

Model: O-LS-8-GN

INTRODUCTION

The RESTMO Turbo Oscillating Sprinkler is designed for efficient and customizable irrigation of lawns and gardens. This manual provides instructions for proper setup, operation, maintenance, and troubleshooting to ensure optimal performance.

Key features include:

- **Large Area Coverage:** Capable of watering up to 3200 square feet, suitable for extensive lawns and gardens.
- **Precision 4-Way Watering Control:** Offers four distinct spray patterns (Left, Center, Right, Full) for targeted irrigation.
- **360° Rotating & Stable Base:** Allows for flexible spray direction and maintains stability on various terrains.
- **Customizable Water Flow:** An adjustable knob controls water volume from a gentle mist to a strong stream.

Video: Overview of the RESTMO Turbo Oscillating Sprinkler with Stable Base. This video demonstrates the general features and operation of the sprinkler.

SETUP

Follow these steps to set up your oscillating sprinkler:

1. **Positioning:** Place the sprinkler on a flat, stable surface within the area you wish to water. Ensure the base is firm to prevent tipping during operation.
2. **Connect Water Hose:** Attach your standard garden hose to the water inlet connector on the sprinkler. Hand-tighten the connection to prevent leaks.

360° Rotatable Water Inlet

Designed for easy adjustment and tangle-free operation.



Image: The 360° rotatable water inlet, designed for easy hose connection and tangle-free operation.

OPERATING INSTRUCTIONS

The RESTMO Turbo Oscillating Sprinkler offers flexible control over its watering patterns and flow.

Adjusting Spray Patterns

Use the manual dial to select one of four watering patterns:

- **Left:** Waters only the left side of the sprinkler's range.
- **Center:** Waters only the central area.
- **Right:** Waters only the right side.
- **Full:** Waters the entire range from left to right.



Image: Visual representation of the four manual spray modes: Full, Left, Center, and Right.

Changing Spray Direction

The sprinkler's base can be rotated 360 degrees to direct the spray precisely where needed.



Image: A hand twisting the sprinkler head to adjust the spray direction on its rotating base.

Video: Instructions on how to change the watering areas by rotating the sprinkler base.

Adjusting Water Flow

Rotate the easy-turn flow control knob to increase or decrease the water volume. This allows you to conserve water or provide deeper watering as required.

Adjustable Flow Control

Rotate to adjust water flow — save water, meeting different needs



Image: A hand rotating the flow control knob to adjust the water output of the sprinkler.

MAINTENANCE

Regular maintenance ensures the longevity and optimal performance of your sprinkler.

Cleaning Nozzles

Over time, mineral deposits or debris can clog the sprinkler nozzles. Use the integrated clean pin to clear any blockages.

1. Locate the clean pin, usually found at one end of the sprinkler bar.
2. Rotate and pull out the clean pin.
3. Carefully insert the pin into each clogged nozzle to clear debris.
4. Return the clean pin to its storage position after use.

Video: Demonstration on how to clean the sprinkler nozzles using the integrated clean pin.

TROUBLESHOOTING

If you encounter issues with your sprinkler, refer to the following common problems and solutions:

Problem	Possible Cause	Solution
Uneven or weak spray	Low water pressure; clogged nozzles; incorrect flow setting.	Ensure adequate water pressure from the source. Clean nozzles using the clean pin (refer to Maintenance section). Adjust the flow control knob to increase water volume.
Sprinkler not oscillating	Insufficient water pressure; internal mechanism obstruction.	Verify water pressure. Ensure the sprinkler is not obstructed by debris. If the issue persists, contact customer support.
Water leaking from connections	Loose hose connection; worn washer.	Tighten the hose connection. Check the rubber washer inside the hose connector for wear and replace if necessary.

SPECIFICATIONS

Detailed specifications for the RESTMO Turbo Oscillating Sprinkler (Model O-LS-8-GN):

- **Brand:** Restmo
- **Model Number:** O-LS-8-GN
- **Color:** Green Oscillating Sprinkler
- **Material:** Plastic
- **Style:** Oscillating
- **Item Dimensions (L x W x H):** 8.8 x 2.9 x 11.2 inches
- **Coverage Area:** Up to 3200 square feet (with minimum 30 PSI water pressure)
- **Number of Items:** 1

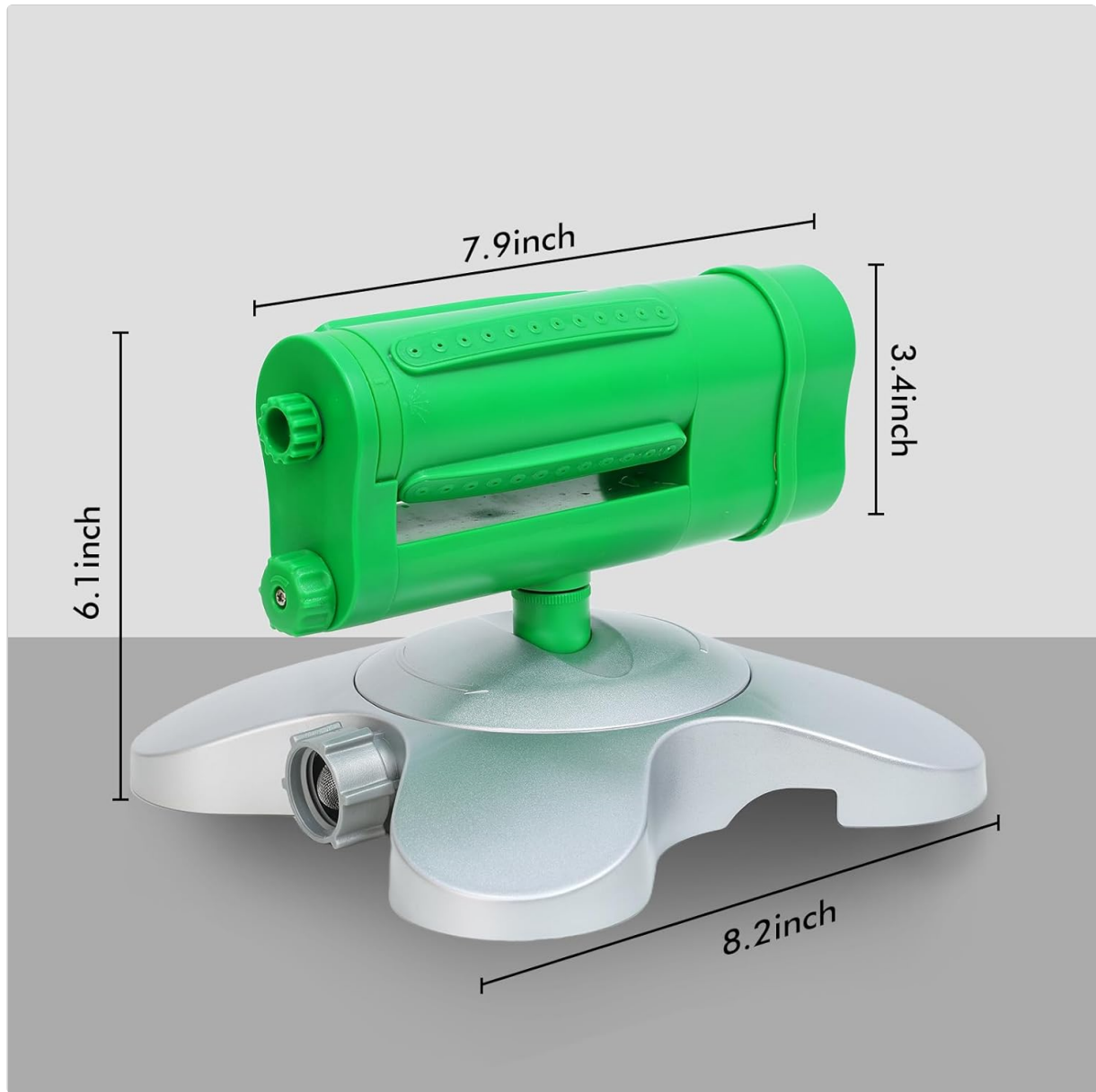


Image: Diagram illustrating the dimensions of the sprinkler: 7.9 inches (length), 3.4 inches (height of sprinkler head), 6.1 inches (total height), and 8.2 inches (base width).

WARRANTY AND SUPPORT

For warranty information or technical support, please refer to the product packaging or contact Restmo customer service directly. Keep your purchase receipt for warranty claims.