



[Manuals.plus](#) /

> [THINK 30](#) /

> THINK 30 24 Inch Olive Green Bathroom Vanity with Sink Instruction Manual

THINK 30 P373272

THINK 30 24 Inch Olive Green Bathroom Vanity with Sink Instruction Manual

Model: P373272

INTRODUCTION

This manual provides detailed instructions for the assembly, operation, and maintenance of your THINK 30 24 Inch Olive Green Bathroom Vanity with Sink. Please read all instructions carefully before beginning assembly and retain this manual for future reference.

SAFETY INFORMATION

- Ensure the cabinet is properly assembled and securely installed to prevent tipping.
- Do not exceed the maximum weight capacity of 240 pounds (approximately 108 kg) for the vanity.
- Keep all small parts and packaging materials away from children during assembly.
- Always use appropriate tools and follow safety guidelines when handling components.
- If any parts are missing or damaged, do not proceed with assembly. Contact customer support immediately.

PACKAGE CONTENTS

Verify that all components listed below are present before starting assembly:

- Vanity Cabinet (Olive Green)
- Ceramic Sink Top
- Gold Bar Handles
- Assembly Hardware Kit (screws, hinges, drawer slides, etc.)
- Assembly Instructions

Note: Faucet and drain assembly are not included and must be purchased separately.

SETUP AND ASSEMBLY

Assembly is required for this freestanding bathroom vanity. We recommend two people for a smooth setup process. Follow the easy-to-understand instructions provided in the included assembly guide.

Dimensions Overview

Before assembly, confirm the vanity dimensions to ensure it fits your space.

Size:inch

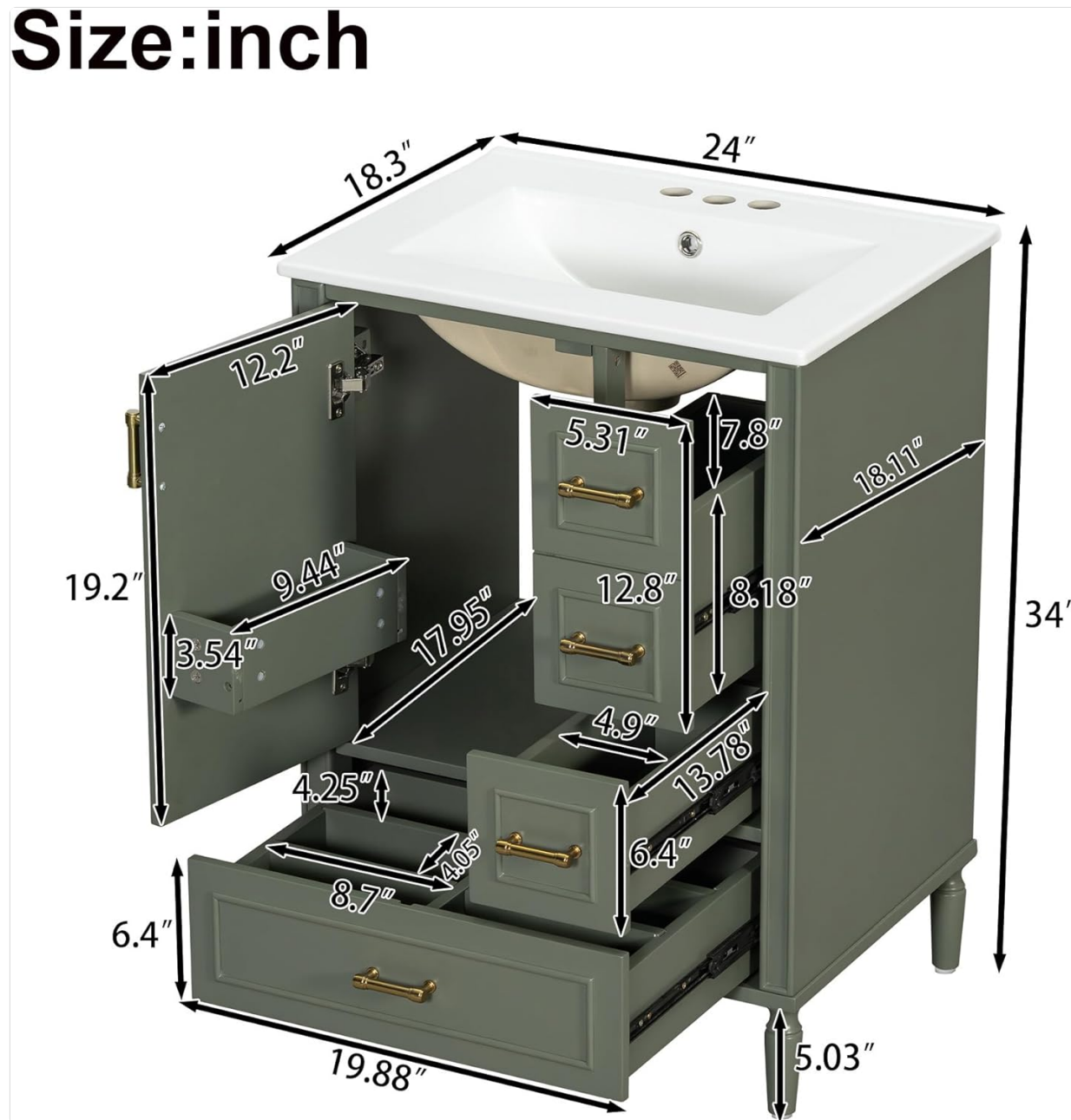


Figure 1: Overall dimensions of the vanity. The vanity measures 24 inches wide, 18.3 inches deep, and 34 inches high.

Key Components and Features

Familiarize yourself with the main components and features of your vanity.

Multifunctional Storage Cabinet

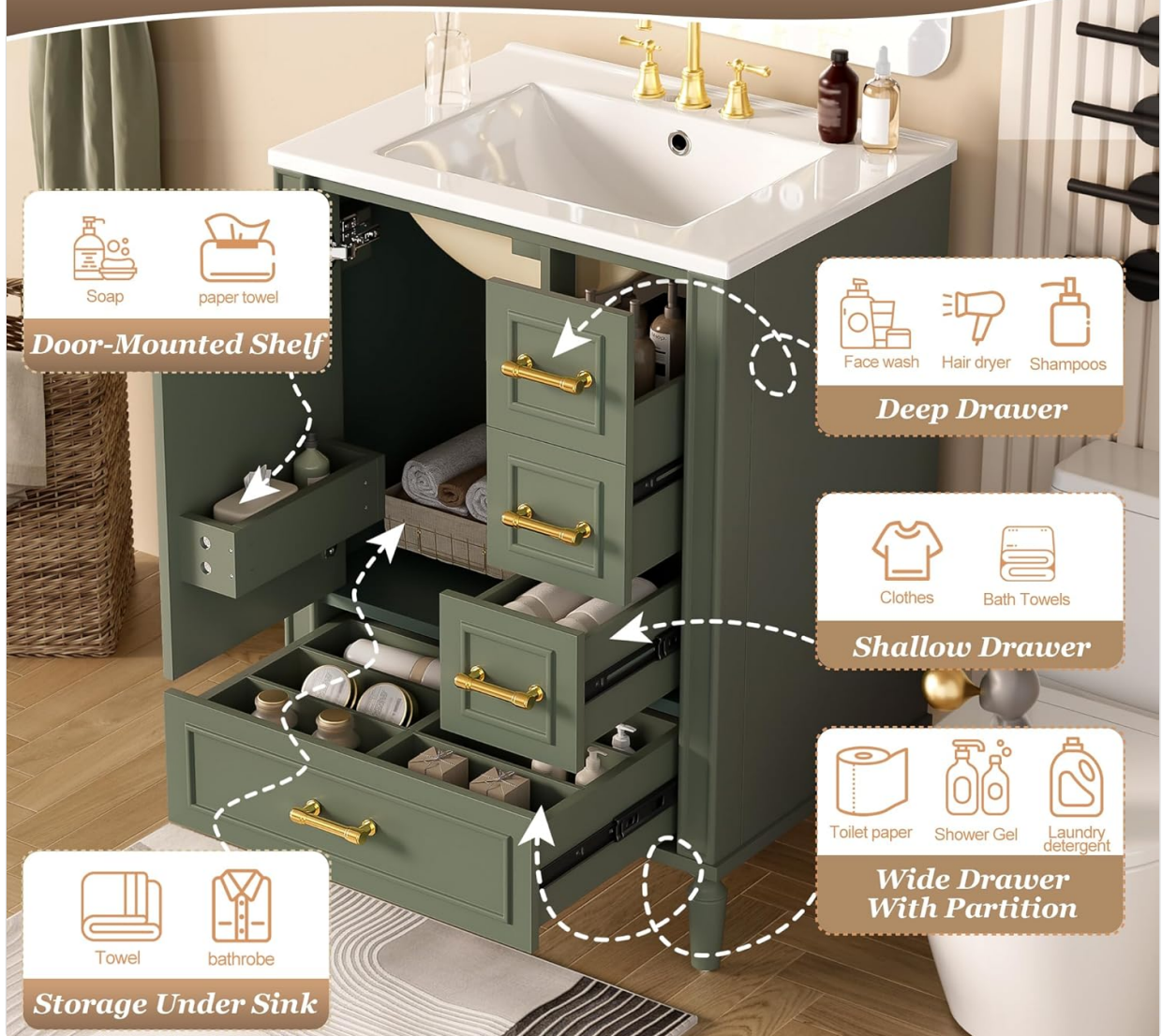


Figure 2: Details of the vanity's construction, including the solid wood frame, elegant gold handles, soft-close hinges for the door, and sturdy foot pads.

Sink Installation

The ceramic basin features an overflow drain and pre-drilled holes for faucet installation.



***Premium Ceramic Sink
Smooth, Non-Porous,
Easy To Clean***



***Overflow Protection
Built-In Overflow Prevents
Spills***



***Easy Faucet Installation
(Faucet Not Included)***

Figure 3: The ceramic sink includes an overflow drain to prevent spills and three pre-drilled holes for easy faucet installation (faucet not included).

OPERATING INSTRUCTIONS

Your vanity is designed for efficient storage and ease of use.

Storage Features

The vanity includes a soft-close door with an organizer shelf and three drawers for various storage needs.



Under-sink Storage Space



Over-door Storage Rack



Figure 4: Overview of the vanity's storage capabilities, including deep and shallow drawers, a wide bottom drawer with dividers, and an organizer shelf on the inside of the door.

Door Organizer

The cabinet door features an integrated organizer shelf, ideal for smaller items.



Figure 5: The door-mounted shelf provides convenient access and storage for frequently used bathroom essentials.

Drawer System

The vanity includes two upper drawers and one wide bottom drawer with adjustable dividers for organized storage.



Figure 6: The spacious bottom drawer features removable dividers, allowing for customized organization of larger items.

MAINTENANCE

Proper care will ensure the longevity and appearance of your vanity.

- **Ceramic Sink:** Clean the ceramic basin regularly with a mild, non-abrasive cleaner and a soft cloth. Rinse thoroughly and dry to prevent water spots.
- **Cabinet Surfaces:** Wipe the olive green cabinet surfaces with a soft, damp cloth. Avoid harsh chemicals or abrasive cleaners that could damage the painted finish.
- **Gold Handles:** Clean gold handles with a soft, dry cloth. Avoid chemical cleaners that may tarnish the finish.
- **Spills:** Immediately wipe up any water spills or moisture to prevent damage to the wood and MDF components.
- **Hinges and Slides:** Periodically check and tighten any loose screws on hinges and drawer slides. Lubricate if necessary to maintain smooth operation.

TROUBLESHOOTING

If you encounter any issues with your vanity, refer to the following common solutions:

- **Drawer not closing smoothly:** Check if the drawer slides are properly aligned and free of obstructions. Ensure all mounting screws are tight.
- **Cabinet door not closing properly:** Adjust the soft-close hinges. Ensure the vanity is level and not warped.
- **Water leakage from sink:** Verify that all plumbing connections (faucet, drain) are properly sealed and tightened according to their respective installation instructions. Check the overflow drain for any blockages.
- **Vanity feels unstable:** Ensure all assembly hardware is securely tightened. Verify the vanity is placed on a level surface.

For persistent issues or concerns not addressed here, please contact THINK 30 customer support.

SPECIFICATIONS

Brand	THINK 30
Model Number	P373272
Color	Olive Green
Product Dimensions (D x W x H)	18.3" x 24" x 34"
Item Weight	90 Pounds
Material	Solid Wood, MDF, Ceramic, Zinc Alloy (Handles)
Top Material Type	Ceramic
Installation Type	Freestanding
Number of Drawers	3
Number of Doors	1
Weight Capacity Maximum	240 Pounds
Additional Features	Anti-Tipping, Moisture Resistant, Scratch Resistant, Soft-Closing Door

WARRANTY AND SUPPORT

For warranty information or customer support, please refer to the documentation included with your purchase or contact THINK 30 directly through their official website or the retailer where the product was purchased. Please have your model number (P373272) and purchase date available when contacting support.