

[Manuals.plus](#) /

› [Perlegear](#) /

› Perlegear Ultra Slim Full Motion TV Wall Mount (Model PGTVM65B-LF-US) Instruction Manual

## Perlegear PGTVM65B-LF-US

# Perlegear Ultra Slim Full Motion TV Wall Mount

Model: PGTVM65B-LF-US

## INTRODUCTION

---

This manual provides detailed instructions for the safe and proper installation, operation, and maintenance of your Perlegear Ultra Slim Full Motion TV Wall Mount, Model PGTVM65B-LF-US. Please read all instructions carefully before beginning installation and keep this manual for future reference.

## SAFETY INFORMATION

---

**WARNING:** Failure to read and follow all instructions can result in personal injury, property damage, or voiding your warranty. Do not install on drywall alone. Ensure the mounting surface can safely support the combined weight of the mount and your TV.

- Verify your TV's VESA pattern and weight are within the mount's specifications.
- Use a stud finder to locate wood studs accurately.
- For concrete or brick walls, use the provided anchors.
- Always use appropriate safety gear, including eye protection.
- Two people are recommended for installation.

## PACKAGE CONTENTS

---

Please check that all components are present and undamaged before installation. If any parts are missing or defective, contact Perlegear customer support.

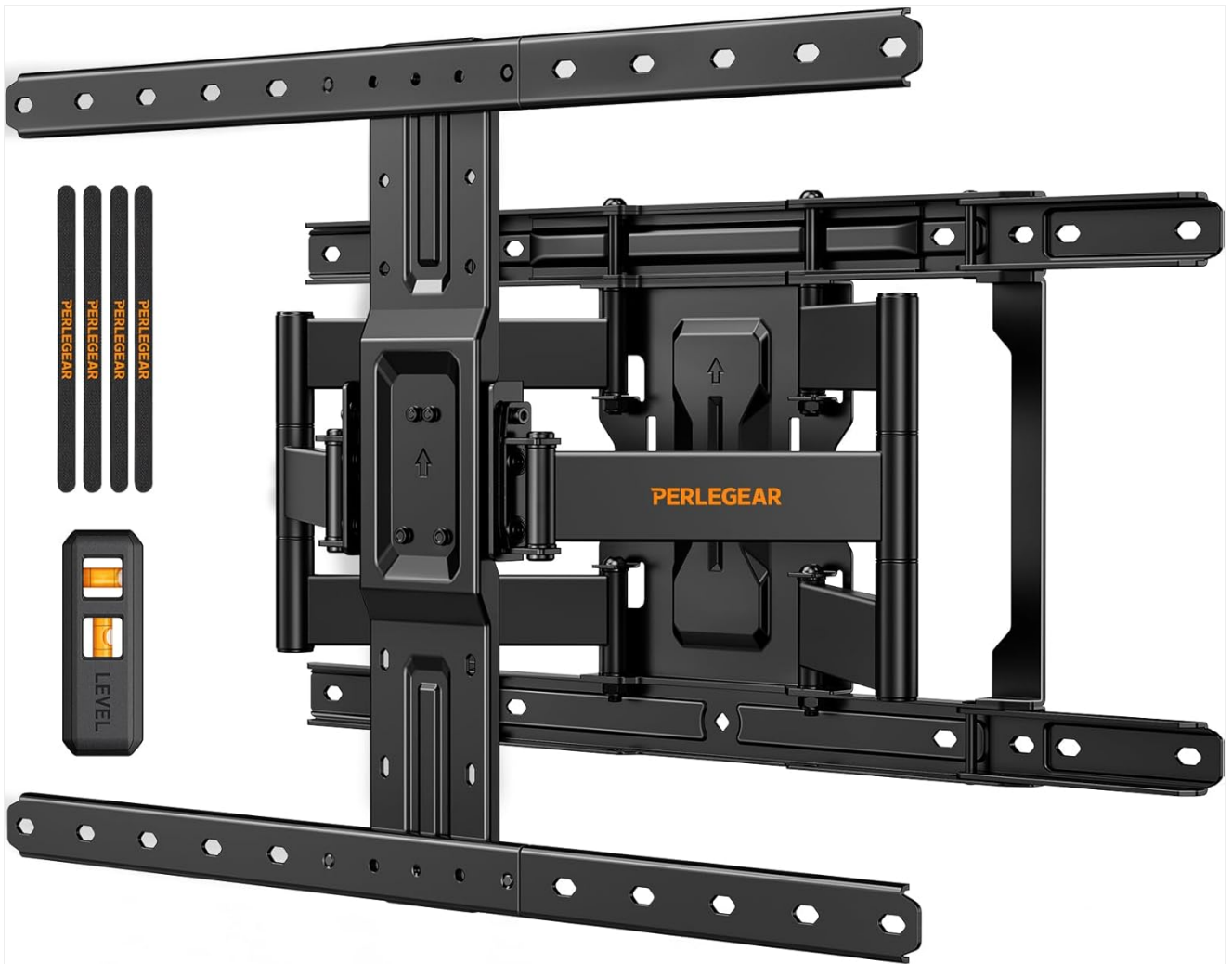


Figure 1: Included Components

- Wall Plate Assembly
- TV Brackets (2)
- Hardware Kit (various screws, washers, spacers, anchors)
- Bubble Level
- Cable Ties
- Installation Manual

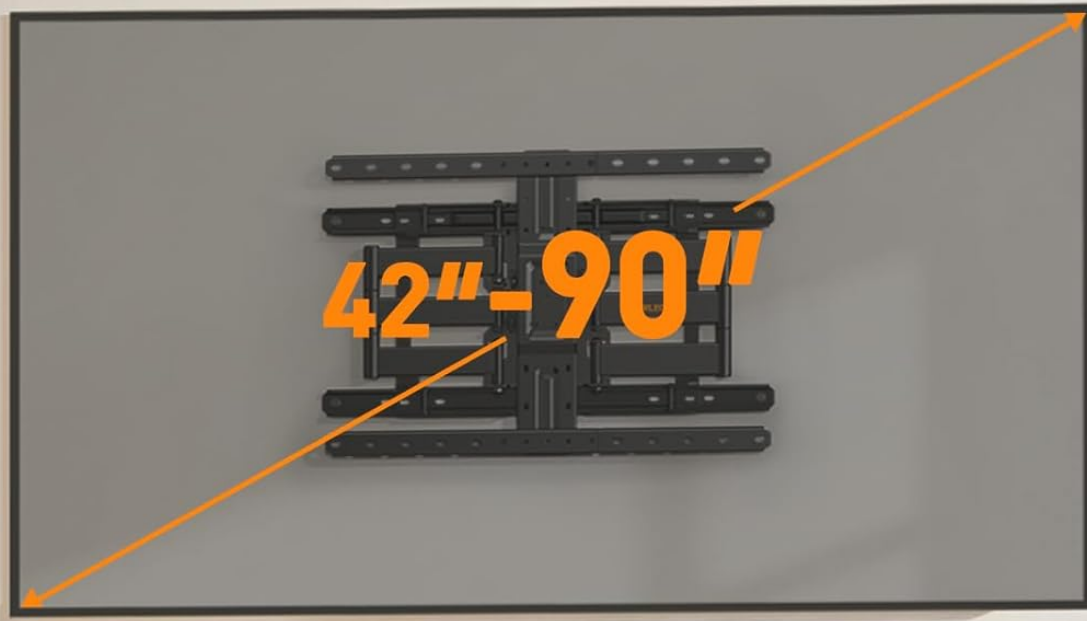
## SPECIFICATIONS

Feature	Specification
Model Number	PGTVM65B-LF-US
Screen Size Compatibility	42 - 90 inches
Maximum Load Capacity	132 lbs (60 kg)
VESA Compatibility	200x200mm to 600x400mm
Mounting Type	Wall Mount
Movement Type	Full Motion (Swivel, Tilt, Extend)
Tilt Angle	+5° / -15°

Feature	Specification
Swivel Angle	±45°
Level Adjustment	±3°
Extension from Wall	Up to 15 inches
Profile (Retracted)	1.1 inches
Material	Alloy Steel

**Important:** Always confirm your TV's VESA pattern and weight before installation.

# Universally Compatible



Max Load  
**132 lbs**



**VESA = Horizontal x Vertical**  
(4 mounting holes on TV back)

## VESA Patterns

<b>600x400mm</b>	600x300mm	600x200mm
400x400mm	400x300mm	400x200mm
300x400mm	300x300mm	300x200mm
200x400mm	200x300mm	200x200mm

**⚠ Please confirm your TV VESA before order**

Figure 2: Universal Compatibility and VESA Patterns

# VESA Mounting Reference Position

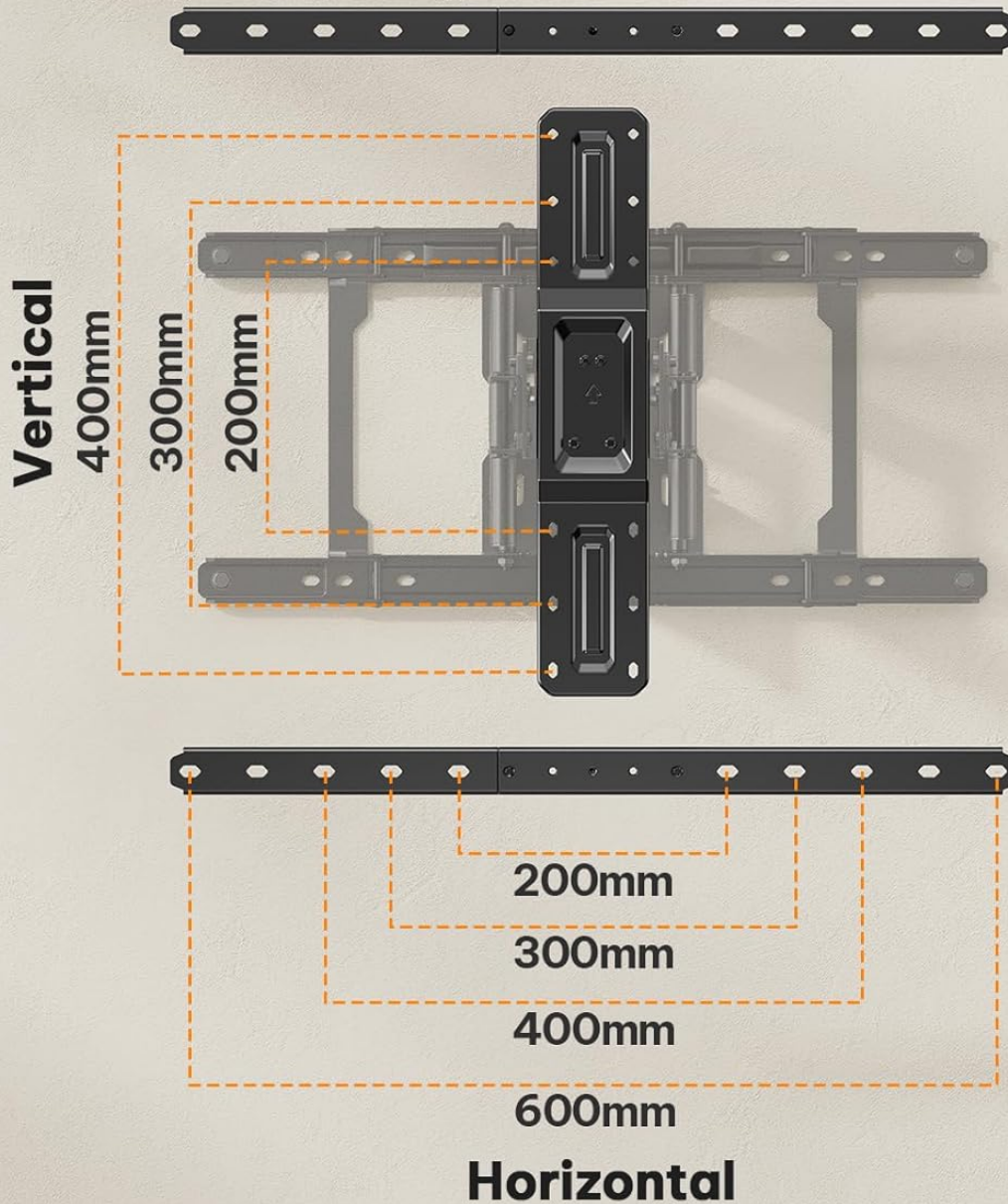


Figure 3: VESA Mounting Reference Position

## SETUP AND INSTALLATION

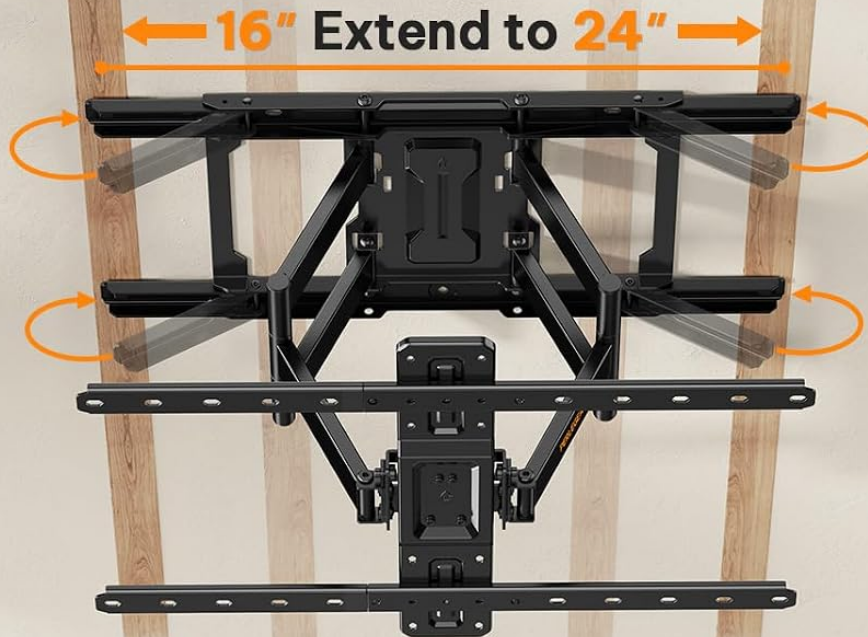
### Pre-Installation Checks


1. **Check Wall Type:** This mount is suitable for wood studs (16" to 24" spacing), solid concrete, and brick walls. **DO NOT install on drywall alone.**
2. **Check TV Weight and VESA:** Ensure your TV weighs no more than 132 lbs and has a VESA pattern between 200x200mm and 600x400mm.

3. **Check Cable Access:** Verify that the mount will not block any ports or cable connections on the back of your TV.

# Extendable Wall Plate for Various Wall Types

Wood Studs



 Please use a stud finder to confirm wood stud spacing before purchase.

Solid Concrete



Anchors included

Brick Wall



Do not install on Drywall Alone!

Figure 4: Compatible Wall Types and Stud Spacing

## Installation Steps

Follow these steps carefully for a secure installation. Refer to the included drilling template for precise hole placement.

1. **Attach TV Brackets:** Secure the TV brackets to the back of your TV using the appropriate screws, washers, and spacers from the hardware kit. Ensure the brackets are centered and level.

2. **Mark Drilling Locations:** Position the wall plate assembly on the wall at your desired height. Use the integrated bubble level to ensure it is perfectly horizontal. Mark the drilling points through the holes on the wall plate.
3. **Drill Pilot Holes:**
  - For **Wood Studs:** Drill pilot holes using a 7/32" (5.5mm) drill bit.
  - For **Solid Concrete/Brick Walls:** Drill pilot holes using a 3/8" (10mm) masonry drill bit. Insert wall anchors into these holes.
4. **Mount Wall Plate:** Attach the wall plate assembly to the wall using the lag bolts and washers. Tighten all bolts securely.
5. **Hang TV:** Carefully lift your TV with the attached brackets and hook it onto the wall plate. Ensure the TV is securely seated on the mount.
6. **Secure TV to Mount:** Use the safety screws or locking mechanisms on the TV brackets to prevent the TV from accidentally lifting off the wall plate.

## Installation Video Guide

Your browser does not support the video tag.

Video 1: General Installation Guide for Perlegear TV Mounts. This video demonstrates the steps for mounting the TV bracket to the TV and securing the wall plate to various wall types, followed by hanging the TV.

## OPERATING INSTRUCTIONS (ADJUSTMENTS)

---

This full-motion TV mount allows for various adjustments to achieve optimal viewing angles.

- **Extension:** Gently pull the TV away from the wall to extend the arms up to 15 inches.
- **Swivel:** Pivot the TV left or right up to  $\pm 45^\circ$  to adjust the horizontal viewing angle.
- **Tilt:** Loosen the tilt knobs on the TV brackets, adjust the screen to your desired vertical angle ( $+5^\circ$  up /  $-15^\circ$  down), and then re-tighten the knobs to secure the position. This helps reduce glare.
- **Level Adjustment:** After installation, you can fine-tune the TV's level by rotating it up to  $\pm 3^\circ$ .

# Find Your Perfect Angle



Extends 15"



Tilt  $+5^{\circ}/-15^{\circ}$



Level  $\pm 3^{\circ}$



$\pm 45^{\circ}$  Swivel

Figure 5: Adjustable Viewing Angles

# 1.1" Flush to the Wall

Keep your TV close to the wall for a sleek finish



Figure 6: Ultra-Slim Profile

## Product Feature Video

Your browser does not support the video tag.

Video 2: Perlegear Ultra Slim TV Mount Features. This video showcases the mount's slim profile, cable management, swivel, and tilt capabilities in a modern living room setting.

## MAINTENANCE

---

Regular maintenance ensures the longevity and safe operation of your TV mount.

- **Check Connections:** Periodically inspect all screws and bolts to ensure they remain tight. Re-tighten if necessary.
- **Clean:** Wipe the mount with a soft, dry cloth to remove dust. Avoid abrasive cleaners or solvents.
- **Lubrication:** The articulating arms are designed for smooth movement. If movement becomes stiff over time, a small amount of silicone-based lubricant can be applied to the pivot points.



Figure 7: Built for Stability

## TROUBLESHOOTING

---

Problem	Possible Cause	Solution
TV is not level after installation.	Minor misalignment during installation.	Use the $\pm 3^\circ$ level adjustment feature to fine-tune the TV's position.
Mount feels loose on the wall.	Lag bolts not fully tightened or incorrect wall anchors used.	Ensure all lag bolts are securely tightened. Verify correct anchors were used for your wall type. If on wood studs, ensure bolts are in the center of the stud.
TV does not fit the mount.	Incorrect VESA pattern or TV size/weight.	Double-check your TV's VESA pattern and weight against the mount's specifications (200x200mm to 600x400mm, max 132 lbs).
Mount arms are stiff to move.	Lack of lubrication or dust accumulation.	Apply a small amount of silicone-based lubricant to the pivot points of the articulating arms. Clean any dust or debris.

## WARRANTY AND SUPPORT

---

This Perlegear TV wall mount comes with a 5-year warranty. For warranty claims, technical assistance, or any questions regarding installation or operation, please contact Perlegear customer support.

You can find contact information on the official Perlegear website or through your purchase platform.