

Flamaker PSB0646

Flamaker 270 Gallon Resin Deck Box Instruction Manual

Brand: Flamaker | Model: PSB0646

1. PRODUCT OVERVIEW

The Flamaker 270 Gallon Resin Deck Box is designed for outdoor storage, offering a large capacity for various items such as gardening tools, pool accessories, and cushions. Its durable resin construction provides weather resistance and can also serve as additional seating.

- **Large Capacity:** 270 gallons of storage space.
- **Durable Material:** Constructed from high-quality resin with an imitation wood surface, offering waterproof, anti-oxidation, and fade-resistant properties.
- **Lockable Design:** Features a lockable mechanism for enhanced security of stored items.
- **Hydraulic Rods:** Equipped with hydraulic rods for safe and smooth opening and closing of the lid.
- **Integrated Handles:** Armrests on both sides facilitate easy movement of the deck box.
- **Separator Plate:** Includes an additional separator plate for organizing items, which can be positioned on the right or left.
- **Multi-functional:** The sturdy lid can support up to two people, functioning as a seat.



Figure 1: Overview of the Flamaker 270 Gallon Resin Deck Box, highlighting handles, lockable feature, and waterproof resin material.

2. PACKAGE CONTENTS

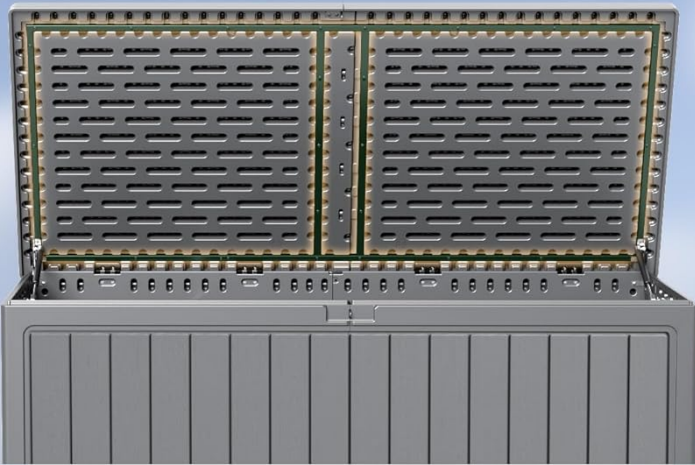
The Flamaker 270 Gallon Resin Deck Box is delivered in two separate packages. Please ensure both packages have arrived before beginning assembly.

Upon opening, verify that all components are present and undamaged. The package typically includes:

- Deck box panels (front, back, sides, bottom, lid)
- Hydraulic rods (2 units)
- Separator plate (1 unit)
- Assembly hardware (screws, nuts, etc.)
- Instruction manual

REINFORCED STRUCTURE DESIGN

Flamaker is trying our best to provide you a safer and more reliable service



Iron Frame Design

Increased Load-Bearing and Stability



Blow Molding

Reliable Technology Increased Thickness

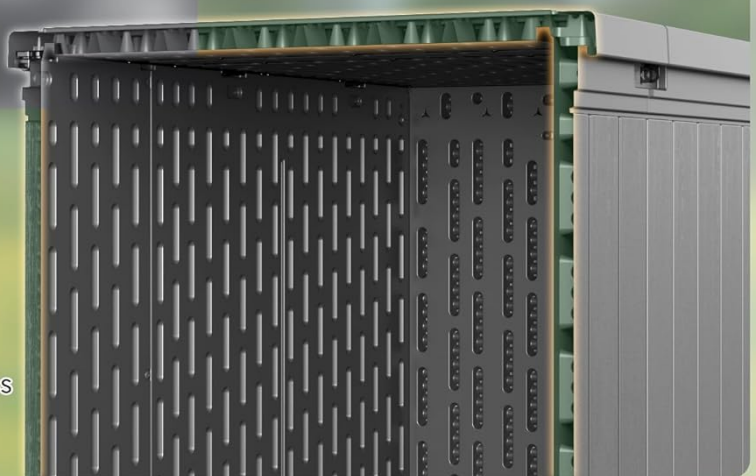


Figure 2: Illustration of the reinforced structure design, including the iron frame and blow molding technology for increased stability and thickness.

3. ASSEMBLY INSTRUCTIONS

Assembly is required for this product. Please follow these general steps. Refer to the detailed assembly instructions included in your package for specific diagrams and hardware details.

1. **Prepare the Area:** Choose a flat, clean, and spacious area for assembly. Ensure all components are laid out and easily accessible.
2. **Assemble Base and Side Panels:** Connect the bottom panel to the side panels according to the provided diagrams. Ensure all connections are secure.
3. **Attach Front and Back Panels:** Securely attach the front and back panels to the assembled base and side panels.
4. **Install Hydraulic Rods:** Carefully attach the hydraulic rods to the designated points on the main body and the

lid. These rods assist in smooth lid operation.

5. **Attach the Lid:** Secure the lid to the main body, ensuring proper alignment with the hydraulic rods and hinges.
6. **Insert Separator Plate:** If desired, insert the separator plate into one of the two available slots inside the box to create compartments.
7. **Final Check:** Verify all screws and fasteners are tightened, and the lid opens and closes smoothly.



Figure 3: Detail of the hydraulic air rod, which ensures safe and smooth opening and closing of the lid, contributing to stability and durability.

4. OPERATING INSTRUCTIONS

4.1 Opening and Closing the Lid

To open the deck box, gently lift the lid. The hydraulic rods will assist in a smooth, controlled opening. To close,

gently pull the lid down. The hydraulic rods will buffer the closing motion, preventing sudden drops.

4.2 Using the Lockable Feature

The deck box is designed with a lockable mechanism. A padlock (not included) can be inserted through the designated hole on the lid and front panel to secure your stored items.

4.3 Utilizing the Separator Plate

The included separator plate can be used to divide the storage space into two compartments. It can be placed in either the right or left slot inside the box, allowing for better organization of different types of items.



Figure 4: The resin divider in the deck box, illustrating its use for partitioning storage and organizing various items.

4.4 Using as a Seat

When closed, the sturdy lid of the deck box can be used as a bench, providing seating for up to two individuals. Ensure the lid is fully closed and latched before using it as a seat.



Figure 5: The Flamaker deck box serving as a comfortable outdoor seat for two people.

5. MAINTENANCE

Regular maintenance will help prolong the life and appearance of your Flamaker Resin Deck Box.

- **Cleaning:** Clean the deck box regularly with a soft cloth, mild soap, and water. Avoid abrasive cleaners or harsh chemicals, as these can damage the resin surface.
- **Inspection:** Periodically check all fasteners and connections to ensure they remain tight. Re-tighten if necessary.
- **Lid Mechanism:** Ensure the hydraulic rods and hinges are free from debris and operate smoothly. Do not force the lid open or closed.
- **Winter Storage:** While the resin is weather-resistant, consider storing sensitive items indoors during extreme winter conditions to prevent potential damage from prolonged exposure to freezing temperatures.

6. TROUBLESHOOTING

If you encounter issues with your deck box, refer to the following common solutions:

Problem	Possible Cause	Solution
Lid does not close smoothly or completely.	Obstruction in hinges or hydraulic rods; misaligned panels.	Check for debris in hinges or rods. Ensure all panels are correctly assembled and tightened.
Water inside the box after rain.	Lid not fully closed; seal compromised; extreme weather conditions.	Ensure the lid is securely closed. Inspect the lid's sealing edges for damage. While waterproof, extreme prolonged exposure may allow minimal ingress.
Deck box feels unstable.	Loose fasteners; uneven assembly; uneven ground.	Re-tighten all assembly fasteners. Ensure the deck box is placed on a flat, level surface.

7. SPECIFICATIONS

Feature	Detail
Brand	Flamaker
Model Number	PSB0646
Color	Gray
Material	Resin
Special Feature	Lockable
Style	Modern
Item Dimensions (L x W x H)	70.8" x 32.3" x 31.5"
Capacity	270 Gallons
Number of Compartments	2 (with separator plate)
Water Resistance Level	Waterproof
Opening Mechanism	Lift-Off Lid with Hydraulic Support
Recommended Uses	Outdoor storage, additional seating, cushion storage, tool storage

PRODUCT DIMENSIONS

Flamaker

660LBS

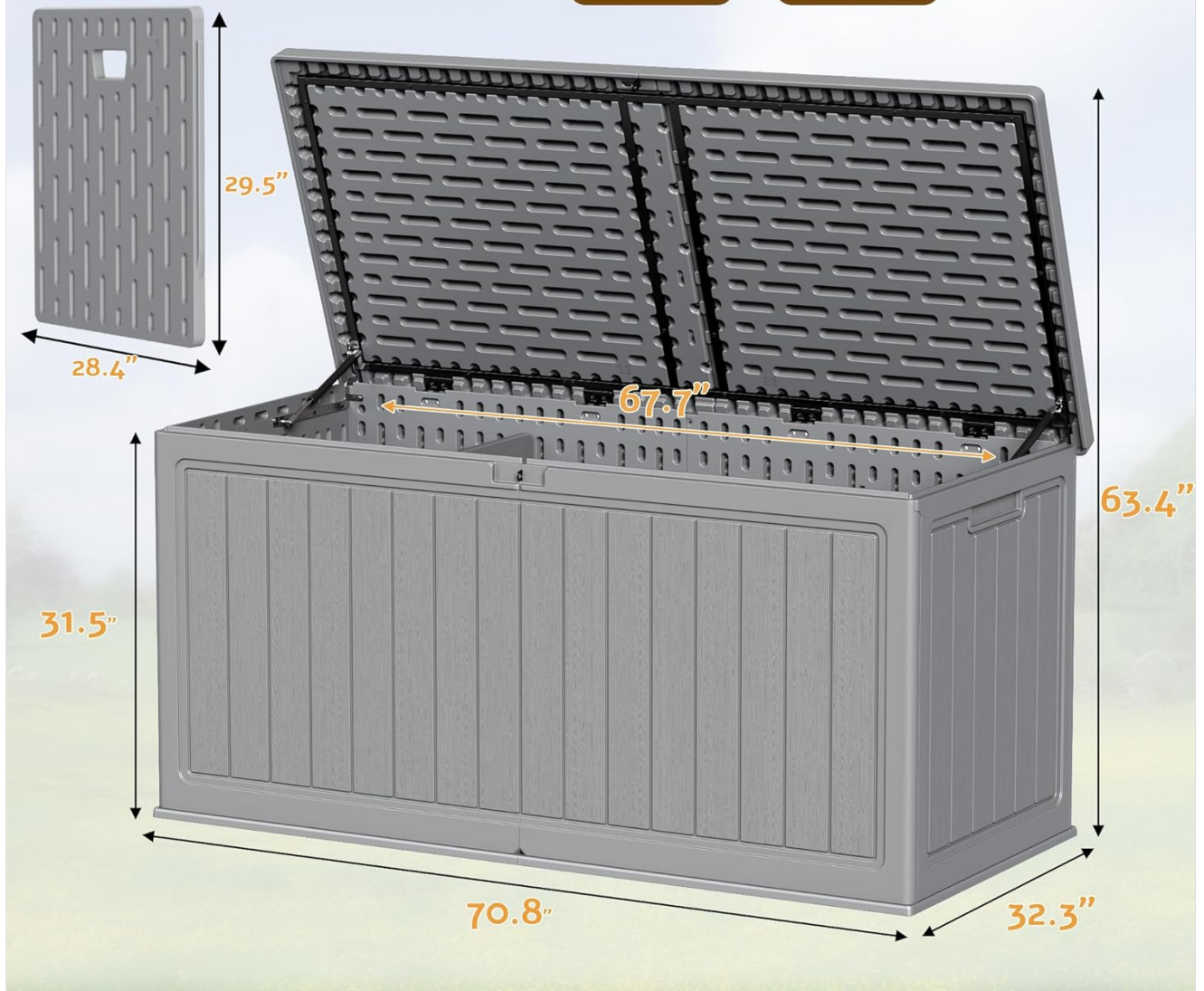


Figure 6: Detailed product dimensions of the Flamaker 270 Gallon Resin Deck Box.

8. WARRANTY AND SUPPORT

Flamaker products are designed for quality and durability. This product is typically covered by a 30-day easy return policy from the date of purchase.

For any questions, missing parts, or assistance with assembly or operation, please contact Flamaker Customer Support. Refer to your purchase documentation or the Flamaker official website for contact information.

Customer Support: [Visit the Flamaker Store on Amazon](#)

