

[Manuals.plus](#) /

> [FREDEES](#) /

> FREDEES Smart Nightstand B0G8VHTZ6V Instruction Manual

FREDEES B0G8VHTZ6V

FREDEES Smart Nightstand Instruction Manual

Model: B0G8VHTZ6V | Brand: FREDEES

1. INTRODUCTION

This manual provides detailed instructions for the assembly, operation, and maintenance of your FREDEES Smart Nightstand. Please read this manual thoroughly before assembly and use to ensure proper function and safety. Keep this manual for future reference.

2. PRODUCT OVERVIEW

The FREDEES Smart Nightstand is a modern bedside table designed with integrated features for convenience and ambiance. It includes RGB tunnel lighting, a built-in charging station, and multiple storage options.

Key Features:

- **Smart LED RGB Lighting:** Customizable via mobile app with various modes, brightness, and speed control. Features a human body sensor for automatic activation.
- **Integrated Charging Station:** Equipped with Type-C and USB ports for convenient device charging.
- **Tunnel Light Display Surface:** A unique glass surface that creates a 3D tunnel light effect, ideal for displaying small items.
- **Ample Storage:** Two spacious drawers and a hidden, lockable compartment for secure storage of personal belongings.
- **Durable Construction:** Features a tempered glass top and smooth metal drawer slides for long-lasting use.

Product Dimensions:

Refer to the diagram below for detailed product measurements.

Product Dimensions

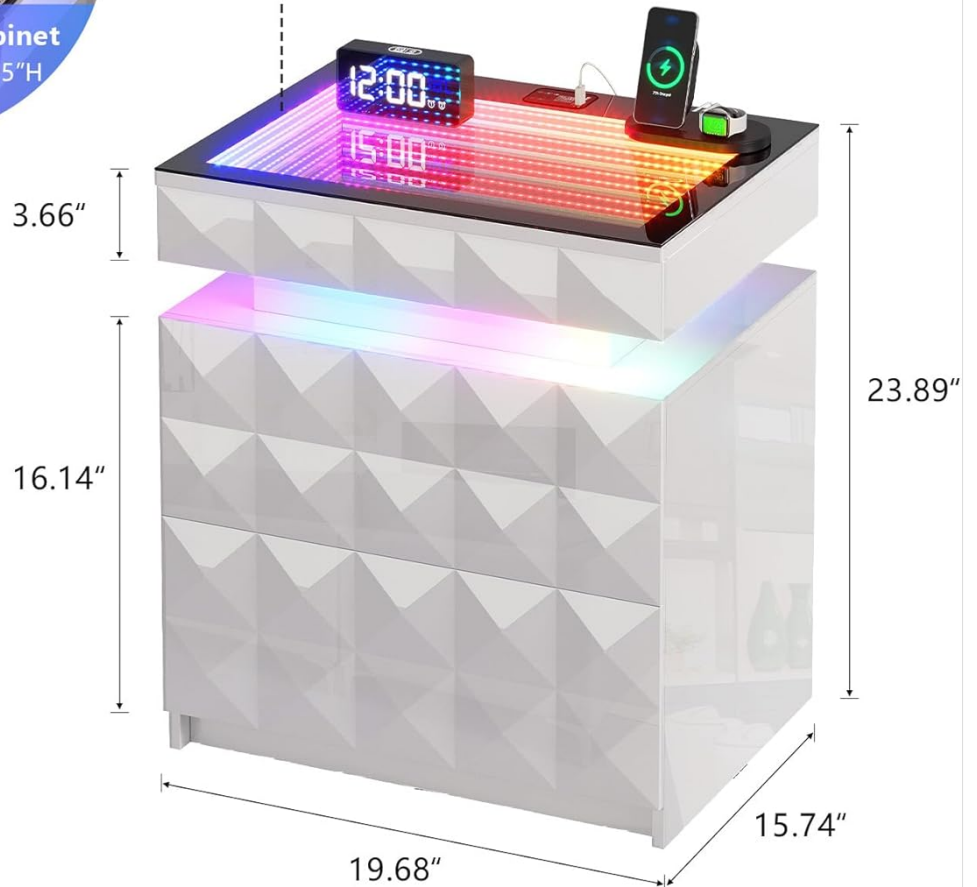
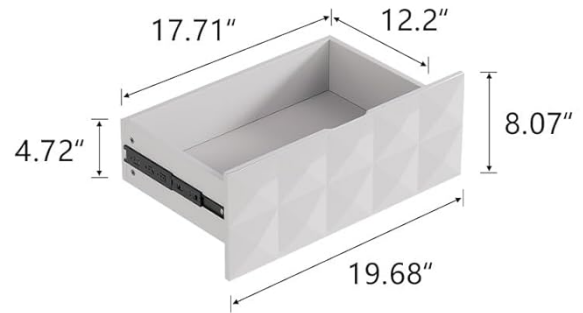


Image: Product dimensions diagram.

3. SAFETY INFORMATION

Please observe the following safety precautions to prevent injury or damage to the product:

- Ensure all components are securely fastened during assembly. Loose parts can cause instability.
- Do not overload drawers or the top surface. Adhere to weight limits to prevent tipping or structural damage.
- Keep electrical components (charging station, LED lights) away from water or excessive moisture.
- The tempered glass top is heavy. Open and close it gently to avoid finger injuries. Keep out of reach of children.
- Use only the provided power adapter for the charging station and LED lights.
- Avoid placing hot items directly on the glass surface without protection.

4. SETUP AND ASSEMBLY

Assembly of the FREDEES Smart Nightstand is designed to be straightforward. All necessary hardware, an assembly guide, and tools are included in the package. Each part is typically numbered for easy identification.

Assembly Steps:

1. **Unpack Components:** Carefully remove all parts from the packaging. Verify that all components listed in the assembly guide are present and undamaged.
2. **Follow the Assembly Guide:** Refer to the detailed, step-by-step instructions provided in the included assembly manual. Pay close attention to diagrams and part numbers.
3. **Secure Fasteners:** Ensure all screws, bolts, and connectors are tightened securely. Do not overtighten to avoid damaging the material.
4. **Install Drawers:** Carefully install the drawer slides and drawers, ensuring they operate smoothly. If drawers do not align, recheck the slide installation.
5. **Connect Electronics:** Once the main structure is assembled, connect the LED lighting and charging station components as per the guide.
6. **Final Placement:** Place the nightstand on a level surface.

Note: Some users have reported issues with pre-drilled holes for drawer slides or weak hinges. If you encounter such issues, ensure careful alignment and consider reinforcing hinges if necessary.

5. OPERATING INSTRUCTIONS

5.1. Smart LED RGB Lighting

The nightstand features customizable RGB lighting with both app control and manual options.

App Control:

Download the dedicated mobile application to control the RGB lighting. The app allows you to:

- Adjust brightness and animation speed.
- Select from various light modes (Static, Dynamic, Cycle).
- Set timers for automatic on/off.
- Control lights based on music rhythm.

To download the app, scan the QR code usually found on the smart module control or visit the provided link:

<https://www.jasonghost.com/tinysmart/>



Image: RGB LED Nightstand App Control Interface.

Manual Controls:

Manual controls are located on the top glass section, towards the middle back, alongside the USB/Type-C ports.

- **Front Blue Touch Button:** Controls power ON/OFF and dimmer settings.
- **Rear Blue Touch Button:** Controls multi-color changes and speed of light animations.
- **Setting a Mode:** Once you select a desired light mode, press and hold the rear blue button for approximately 3 seconds. The light show will continue in this mode until the front button is pressed to turn it off.

Human Body Sensor:

The nightstand is equipped with a human body sensor for automatic light activation.

- **Auto-on:** Lights will automatically turn on when you are within 1 meter of the nightstand.
- **Auto-off:** Lights will automatically turn off approximately 30 seconds after you leave the detection area.
- **Enable/Disable Sensor:** To enable or disable the motion sensing feature, press and hold the motion button (usually the rear blue touch button) for 3 or more seconds.



Image: Smart Human Sensor operation.

5.2. Charging Station

The integrated charging station provides convenient power for your devices.

- **Ports:** The charging station includes both Type-C and standard USB ports.
- **Usage:** Connect your phone, tablet, earbuds, smartwatch, or other compatible devices to the appropriate port for

charging.

- **Power:** Ensure the nightstand is connected to a power source for the charging station to function.

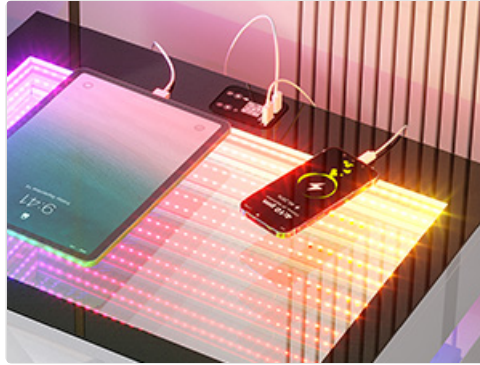


Image: Devices charging on the nightstand's integrated charging station.

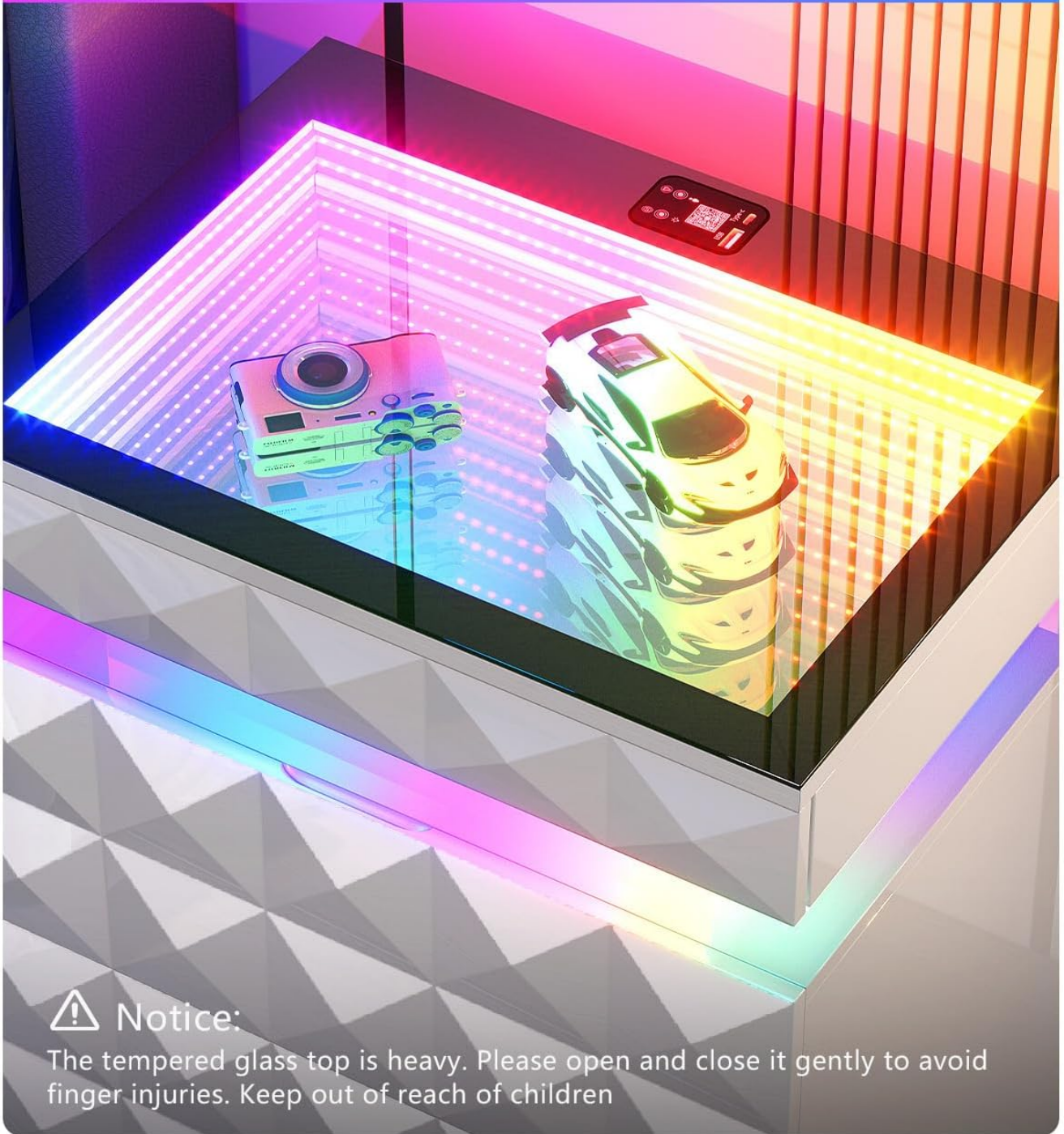
5.3. Tunnel Light Display Surface

The unique glass top creates an infinity mirror effect when the lights are active.

- **Display Items:** Place small collectibles, jewelry, eyewear, or watches inside the display area to enhance the 3D tunnel light effect.
- **Caution:** The tempered glass top is heavy. Open and close it gently to avoid finger injuries. Keep out of reach of children.

Light, Style & Storage — All in One Nightstand

The mirrored surface creates a stunning tunnel light effect — perfect for displaying your favorite items with style.



Notice:

The tempered glass top is heavy. Please open and close it gently to avoid finger injuries. Keep out of reach of children

Image: Tunnel light display surface with items.

5.4. Storage Features

The nightstand offers versatile storage solutions.

- **Two Roomy Drawers:** Ideal for storing books, chargers, skincare products, and other bedside essentials.
- **Hidden Lockable Compartment:** A secure space for valuables or sensitive items, accessible by lifting the top surface. Comes with a lock and two keys.



Image: Hidden lockable storage compartment.

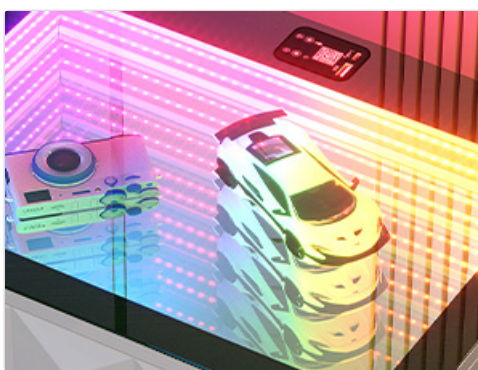


Image: Main storage drawers.

6. MAINTENANCE

Proper care and maintenance will extend the life of your nightstand.

- **Cleaning Surfaces:** Wipe all surfaces with a soft, damp cloth. Avoid abrasive cleaners or harsh chemicals that may damage the finish or glass.
- **Glass Top:** For the tempered glass top, use a glass cleaner and a microfiber cloth to prevent streaks.
- **Drawer Slides:** Periodically check drawer slides for smooth operation. If they become stiff, a small amount of silicone lubricant can be applied.
- **Electrical Components:** Ensure all electrical connections are secure and free from dust. Do not attempt to repair electrical components yourself.
- **General Inspection:** Regularly check all screws and fasteners to ensure they remain tight. Retighten as needed.

7. TROUBLESHOOTING

If you encounter issues with your FREDEES Smart Nightstand, refer to the following troubleshooting guide:

Problem	Possible Cause	Solution
---------	----------------	----------

Problem	Possible Cause	Solution
LED lights not turning on or flickering.	Power connection issue, loose wiring, app malfunction, sensor disabled.	1. Ensure the nightstand is properly plugged into a working power outlet. 2. Check all internal wiring connections for the LED strip. 3. Restart the mobile app or reinstall it. 4. Verify the human body sensor is enabled (long press motion button for 3+ seconds). 5. Try manual controls.
Charging station not working.	No power, faulty cable, incompatible device, loose connection.	1. Confirm the nightstand is powered on. 2. Try a different charging cable. 3. Test with another device to rule out device incompatibility. 4. Ensure cables are fully inserted into the USB/Type-C ports.
Drawers are stiff or do not close properly.	Incorrect assembly of drawer slides, loose screws, obstruction.	1. Recheck the assembly of the drawer slides, ensuring they are correctly aligned and securely fastened. 2. Tighten any loose screws on the drawer or frame. 3. Remove any obstructions in the drawer tracks. 4. Apply a small amount of silicone lubricant to the slides if needed.
App connectivity issues.	Bluetooth not enabled, app version outdated, interference.	1. Ensure Bluetooth is enabled on your mobile device. 2. Check for app updates in your device's app store. 3. Try restarting your phone and the nightstand. 4. Ensure your phone is within close proximity to the nightstand.

8. SPECIFICATIONS

Feature	Detail
Brand	FREDEES
Model Number	B0G8VHTZ6V
Product Dimensions (D x W x H)	15.75" x 19.69" x 23.26"
Frame Material	Glass, FSC-Certified Wood
Top Material Type	Tempered Glass
Color	White
Number of Drawers	3 (2 standard, 1 hidden lockable)
Special Features	RGB LED Light, Human Body Sensor, USB & Type-C Charging Ports, Tunnel Light Display
Included Components	Assembly Hardware, Assembly Guide, Tools
Required Assembly	Yes
UPC	783821564141



Image: Material and construction details.

9. WARRANTY AND SUPPORT

For warranty information or technical support, please refer to the documentation included with your purchase or contact FREDEES customer service directly. Contact details can typically be found on the product packaging or the official FREDEES website.

When contacting support, please have your model number (BOG8VHTZ6V) and proof of purchase readily available.