



Manuals.plus /

› Eafurn /

› Eafurn 6-Position Adjustable Convertible Chaise Lounge Sleeper Chair User Manual

## Eafurn Tufted Chaise Lounge

# Eafurn 6-Position Adjustable Convertible Chaise Lounge Sleeper Chair User Manual

Model: Tufted Chaise Lounge

## INTRODUCTION

---

This manual provides instructions for the assembly, operation, and maintenance of your Eafurn 6-Position Adjustable Convertible Chaise Lounge Sleeper Chair. This multi-functional furniture piece is designed to serve as an armchair, a relaxing lounger, or a small bed, featuring a 6-level adjustable backrest, integrated storage, a USB charging port, and a swivel tray table.

Please read this manual thoroughly before assembly and use to ensure proper function and safety.

## SAFETY INFORMATION

---

- Always follow the assembly instructions provided.
- Ensure all parts are securely fastened before use.
- Do not attempt to assemble or disassemble the chair while in use.
- Do not exceed the maximum weight capacity of 330 lbs (150 kg).
- Keep children and pets away from the product during assembly.
- Avoid standing on the chair or using it as a step stool.

## PACKAGE CONTENTS

---

Verify that all components are present before beginning assembly. If any parts are missing or damaged, contact Eafurn customer support.

- Chaise Lounge Frame (main sections)
- Seat Cushion with Storage
- Backrest Cushion
- Armrests (Left and Right)
- Swivel Tray Table

- USB Charging Port Unit
- Legs (4 pieces)
- Hardware Pack (screws, bolts, washers, Allen wrench)
- Instruction Manual

## ASSEMBLY INSTRUCTIONS

---

Assembly is required and typically takes 15-20 minutes. No additional tools are needed beyond what is provided.

1. Unpack all components and lay them out on a clean, soft surface to prevent scratches.
2. Attach the four legs to the base of the chaise lounge using the provided hardware. Ensure they are tightened securely.
3. Connect the backrest to the seat base according to the alignment points. Secure with the designated bolts.
4. Attach the armrests to the sides of the chair, ensuring the USB port is on the desired side. Fasten them securely.
5. Install the swivel tray table mechanism into the designated slot on the armrest.
6. Plug in the USB charging port unit if it is not pre-installed.
7. Confirm all connections are tight and the chair is stable before use.

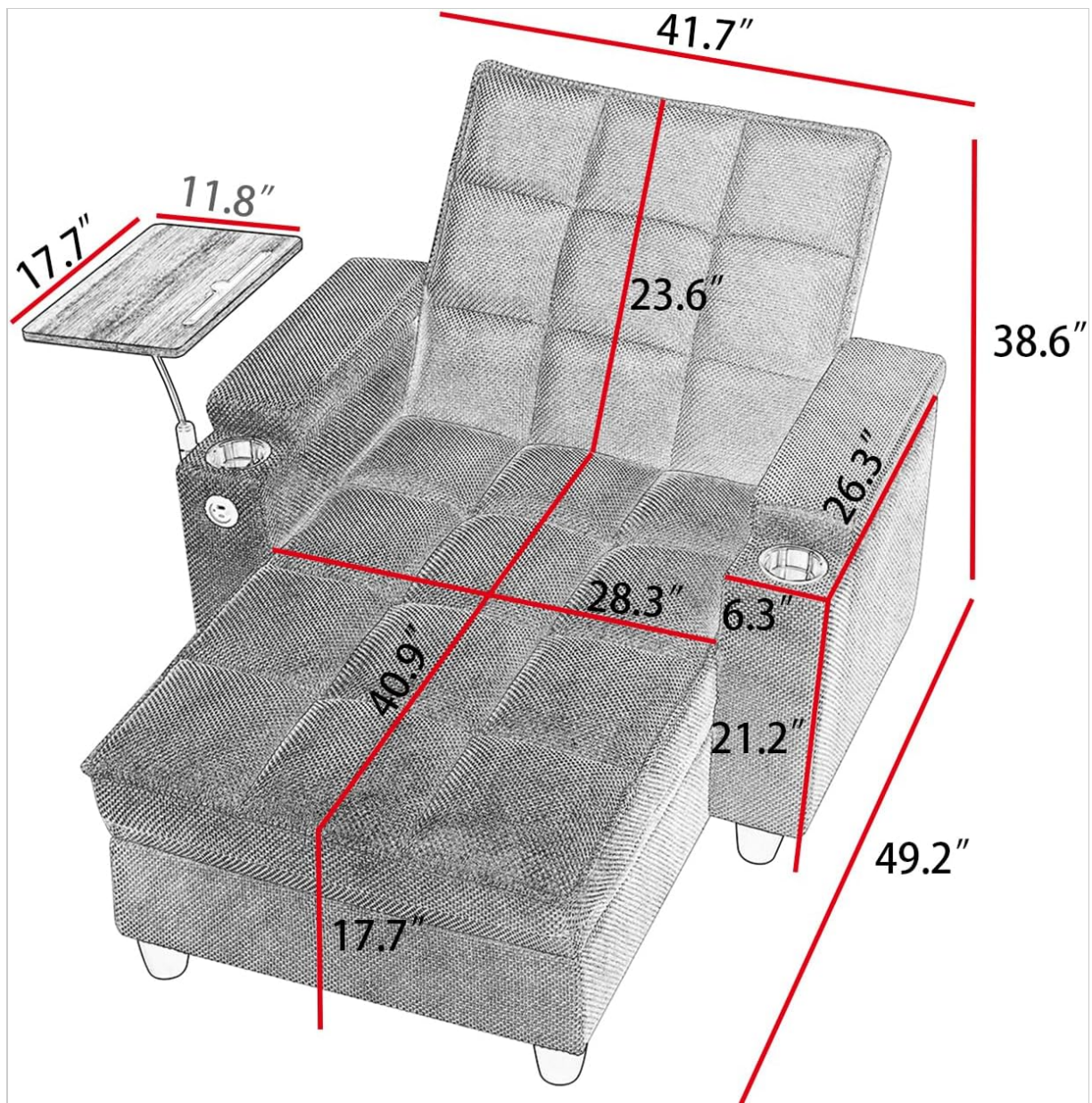


Figure 1: Product Dimensions. This diagram illustrates the overall measurements of the chaise lounge, including depth, width, and height, as well as individual component dimensions like seat depth and back height.

## OPERATING INSTRUCTIONS

---

### Adjusting the Backrest

The chaise lounge features a 6-level adjustable backrest. To adjust, gently push the backrest forward slightly, then recline it to your desired angle. Release to lock it into one of the six positions.



Figure 2: Chaise Lounge in Reclined Position. This image shows the chair with its backrest adjusted to a reclined angle, demonstrating its use as a lounger.

## Using the Storage Compartments

The chair includes two storage options:

- **Under-Seat Storage:** Lift the seat cushion to access a spacious compartment suitable for blankets, pillows, or larger items.
- **Armrest Storage:** The side armrest features a hidden compartment for smaller items like remote controls or books.



Figure 3: Under-Seat Storage. This image displays the storage area beneath the seat cushion, open and ready for use.



Figure 4: Front Storage Drawer. This image shows the front-facing storage drawer pulled out, providing additional storage space.

### **Using the USB Charging Port**

A built-in USB charging port is located on one of the armrests. Connect your device's USB cable to the port to charge. Ensure the chair is connected to a power source for the USB port to function.



Figure 5: USB Charging Port. This close-up shows the USB-A and USB-C charging ports conveniently located on the armrest.

### **Using the Swivel Tray Table**

The 360° swivel tray table provides a stable surface for various items. To use, pull the tray table out from its stored position and rotate it to your desired angle. Push it back into the armrest when not in use.



Figure 6: Swivel Tray Table. This image highlights the wooden swivel tray table, extended and ready for use with a cup holder visible.

### **Converting to Sleeper Mode**

To convert the chaise lounge into a sleeper, fully recline the backrest to its lowest position. The extended footrest section will align to create a flat sleeping surface.



Figure 7: Sleeper Configuration. This image shows the chaise lounge fully extended, demonstrating its function as a small bed.

## MAINTENANCE

---

- **Cleaning Fabric:** For general cleaning, vacuum the Chenille fabric regularly to remove dust and debris. For spills, blot immediately with a clean, dry cloth. For stubborn stains, use a mild fabric cleaner following the product instructions, testing on an inconspicuous area first.
- **Frame Care:** Wipe the wooden and metal components with a soft, damp cloth. Avoid harsh chemicals.
- **Hardware:** Periodically check all bolts and screws to ensure they remain tight. Retighten as necessary to maintain stability.
- **Avoid Direct Sunlight:** Prolonged exposure to direct sunlight can cause fabric fading.

## TROUBLESHOOTING

---

- **Chair feels wobbly:** Check all assembly bolts and screws. Ensure they are fully tightened. Verify the legs are evenly placed on the floor.
- **Backrest not adjusting:** Ensure no obstructions are preventing the mechanism from moving. Apply gentle pressure to release the locking mechanism before adjusting.

- **USB port not working:** Confirm the chair is properly connected to a power source. Check the USB cable for damage.
- **Difficulty with storage compartments:** Ensure no items are blocking the opening or closing mechanism.

If you encounter issues not listed here, please contact Eafurn customer support for assistance.

## SPECIFICATIONS

---

Feature	Detail
Product Type	Convertible Chaise Lounge Sofa
Upholstery Material	Chenille
Frame Material	Plywood, Metal
Overall Dimensions (D x W x H)	49.2" x 41.7" x 38.6"
Seat Depth	40.9"
Seat Height	17.7"
Back Height	23.6"
Arm Height	21.2"
Weight Capacity	330 lbs (150 kg)
Assembly Time (Estimated)	15-20 minutes
Special Features	6-Position Adjustable Backrest, Storage, USB Port, Swivel Tray Table
Color	Dark Gray

## WARRANTY AND SUPPORT

---

For warranty information or technical support, please refer to the documentation included with your purchase or contact Eafurn customer service directly. Keep your purchase receipt for warranty claims.

**Eafurn Customer Service:** Please visit the official Eafurn website or refer to your purchase platform for contact details.