

Saker 01US-GJ69697-X52052

Saker Aluminum Alloy Multi-Angle Marking Ruler Instruction Manual

Model: 01US-GJ69697-X52052

1. INTRODUCTION

The Saker Aluminum Alloy Multi-Angle Marking Ruler is a versatile precision tool designed for accurate measurement and marking in woodworking, carpentry, and design applications. This tool integrates a T-square, protractor, scribe, and ruler into a single unit, offering efficiency and precision for various tasks.

Constructed from high-grade aluminum alloy, it is engineered for durability and consistent performance. The laser-etched scales ensure clear readability and long-term precision. This manual provides instructions for the proper setup, operation, and maintenance of your Saker Multi-Angle Marking Ruler.

2. PRODUCT FEATURES

- **All-in-One Design:** Combines T-square, protractor, scribe, and ruler functions.
- **Precision Measurement:** Measures lengths (0-48cm/0-18in) and angles with clear, accurate scales.
- **Durable Construction:** Made from high-grade aluminum alloy for resistance to wear and deformation.
- **Quick-Adjust Angle Scribing:** Features a locking knob for setting and securing angles for bevels, miters, and radial lines.
- **Permanent Markings:** Laser-engraved scales provide exceptional clarity and resistance to fading.
- **Integrated Scriber:** Includes a mechanical pencil and spare refills for immediate use.

MODE DIRECTION SCRIBING

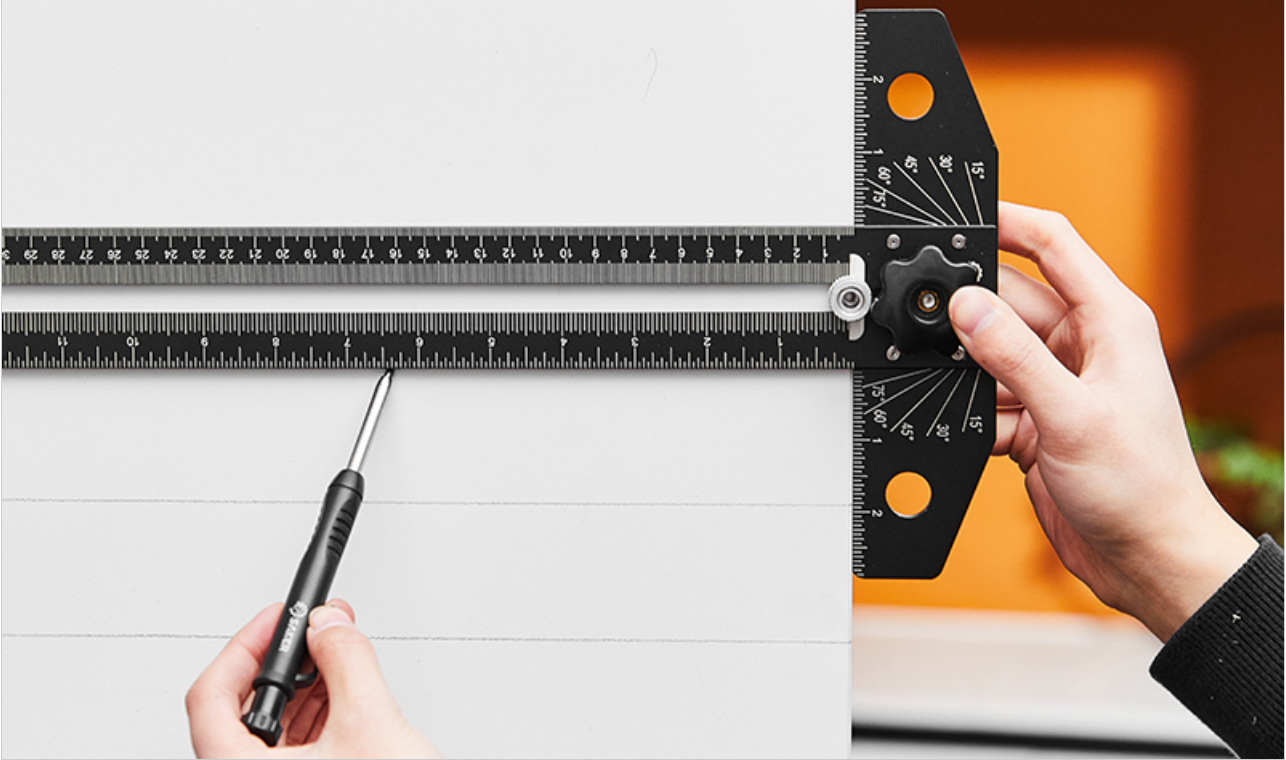


Image: High-quality aluminum alloy body ensures durability and precision.

VERTICAL SCRIBING



Image: Laser-engraved scales for clear and permanent markings in both centimeters and inches.

3. SETUP

3.1 Unpacking and Inspection

Carefully remove the Saker Multi-Angle Marking Ruler from its packaging. Inspect the tool for any signs of damage. Ensure all components, including the mechanical pencil and spare refills, are present.

3.2 Inserting the Pencil

1. Unscrew the cap from the mechanical pencil.
2. Insert a lead refill into the pencil.
3. Replace the cap.
4. To use the scribe function, insert the mechanical pencil into the designated hole on the sliding mechanism.

Your browser does not support the video tag.

Video: This video demonstrates the basic setup and adjustment of the Saker Multi-Angle Marking Ruler, including how to insert the mechanical pencil and adjust the sliding mechanism for various marking tasks.

4. OPERATING INSTRUCTIONS

4.1 Adjusting Angles

The ruler features an adjustable T-square head with angle markings. To set an angle:

1. Loosen the central locking knob on the T-square head.
2. Rotate the T-square head to the desired angle (e.g., 15°, 30°, 45°, 60°, 75°).
3. Tighten the locking knob to secure the angle.



Image: The adjustable design allows for rotatable, vertical, and controlled sliding movements for precise marking.

4.2 Scribing Lines

The ruler supports various scribing methods:

- **Vertical Scribing:** Position the T-square head against the edge of your workpiece. Slide the ruler along the edge while holding the pencil in the sliding mechanism to create a parallel line.



Image: Demonstrates vertical scribing by guiding the ruler along the workpiece edge.

- **Horizontal Scribing:** For horizontal lines, use the main ruler body as a guide. Position the pencil in the sliding

mechanism and move the ruler across the surface.



NO.1

**In Construction
Rulers**

Measure with Mastery, Create with Precision.



**Choose the champion's
choice. Where precision
meets inspiration.**

In August 2025, this product became the #1 Best Seller in professional measuring tools worldwide. This isn't just a sales figure—it's a global testament to the trust from a community of creators who demand excellence.

Image: Illustrates horizontal scribing using the ruler's main body as a guide.

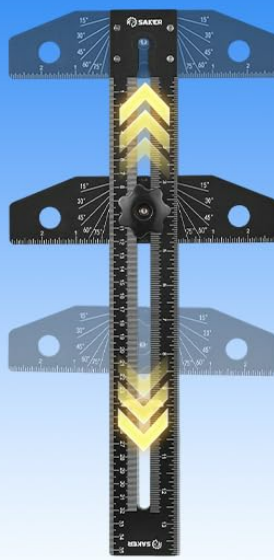
- **Angle Scribing:** After setting the desired angle on the T-square head, position the angled edge against your workpiece. Use the pencil in the sliding mechanism to mark the angle.

Adjustable design and sliding function

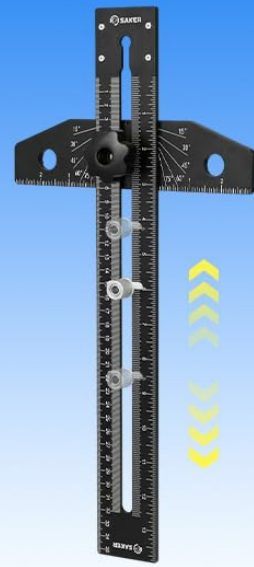
The ball will not wobble, meeting the requirements for multi-angle marking.



Rotatable Vertical Slider



Up And Down Vertical Slider



Marking And Control Slider

Image: Shows how to scribe precise angles using the adjustable T-square head.

4.3 Using the Parallel Positioning Knob

The parallel positioning knob allows for consistent offset marking. Adjust the knob to the desired distance from the edge, then slide the ruler along the workpiece to create a parallel line at that exact offset.

>> T-BEVELDESIGN <<

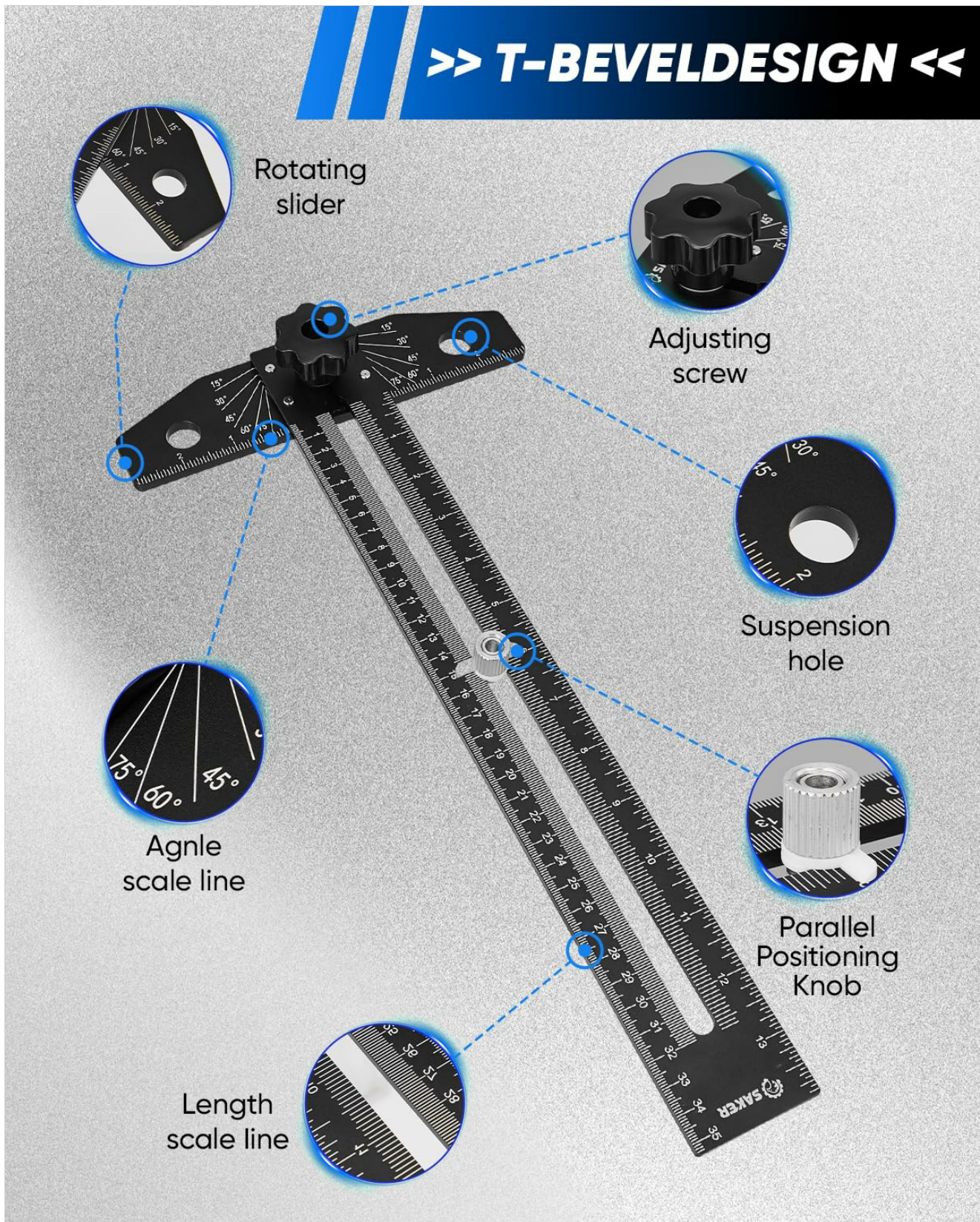


Image: Key components of the T-bevel design, including the parallel positioning knob for offset marking.

5. MAINTENANCE

To ensure the longevity and accuracy of your Saker Multi-Angle Marking Ruler, follow these maintenance guidelines:

- **Cleaning:** After each use, wipe the ruler with a clean, dry cloth to remove dust, wood shavings, or marking residue. For stubborn marks, a slightly damp cloth can be used, followed by immediate drying.
- **Storage:** Store the ruler in a dry environment, away from excessive moisture or extreme temperatures. The

foldable design allows for compact storage in a toolbox.

SELLING POINT TITLE WRITING



Image: The ruler's foldable design facilitates easy storage and transport.

- **Lubrication:** Periodically apply a small amount of dry lubricant (e.g., graphite powder) to the sliding mechanisms to ensure smooth operation. Avoid oil-based lubricants that can attract dust.
- **Lead Refills:** Ensure you have an adequate supply of mechanical pencil lead refills. The included pencil uses standard lead sizes.

6. TROUBLESHOOTING

- **Issue:** Inaccurate angle markings.
- **Solution:** Ensure the central locking knob is fully tightened after setting the desired angle. Verify that the T-square head is firmly seated against the angle guides.
- **Issue:** Sliding mechanism feels stiff or rough.
- **Solution:** Clean the sliding channels thoroughly to remove any debris. Apply a small amount of dry lubricant to the channels.
- **Issue:** Pencil does not fit or is loose in the scribe hole.
- **Solution:** Ensure you are using the provided mechanical pencil or one with a compatible diameter for the scribe hole. If the pencil is too thin, it may cause slight inaccuracies.
- **Issue:** Markings are fading or difficult to read.
- **Solution:** The laser-etched markings are designed for durability. Ensure the ruler is clean and free from dirt or residue that might obscure the scales.

7. SPECIFICATIONS

Feature	Specification
Brand	Saker
Model Number	01US-GJ69697-X52052
Material	Aluminum Alloy
Color	Black
Measurement Range	0-48cm / 0-18in

Item Weight	449 Grams
Included Accessories	Mechanical pencil, 8 spare refills

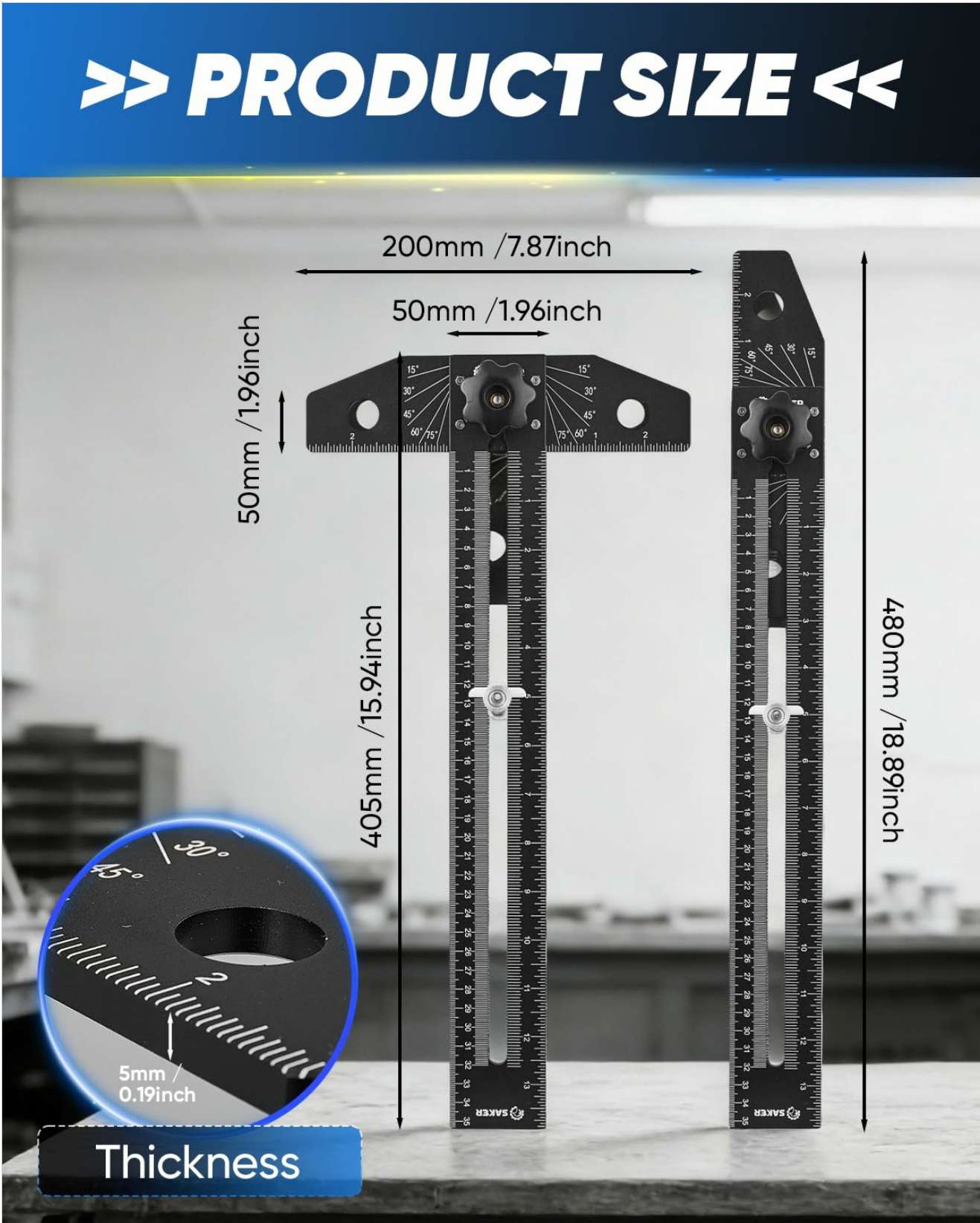


Image: Product dimensions for reference.

8. WARRANTY AND SUPPORT

For warranty information and customer support, please refer to the official Saker website or contact the retailer from whom you purchased the product. Keep your proof of purchase for any warranty claims.

Manufacturer: saker