

[Manuals.plus](#) /

> [Axglo](#) /

> Axglo E5 Electric Follow Golf Push Cart Instruction Manual

## Axglo E5

# Axglo E5 Electric Follow Golf Push Cart Instruction Manual

Model: E5 | Brand: Axglo

## 1. PRODUCT OVERVIEW

---

The Axglo E5 Electric Follow Golf Push Cart is an advanced golf caddy designed to enhance your golfing experience with its intelligent features and robust construction. It offers multiple control modes, app connectivity, and a long-lasting battery to support up to 36 holes.



Figure 1: The Axglo E5 Electric Follow Golf Push Cart, showcasing its sleek black design and robust construction.

## Key Features:

- **Five Control Modes:** Includes Follow, Remote, Power Assisted Speed Control, Remote Cruising, and Manual Push modes.
- **App Connectivity:** Control the cart via the Axglo Bluetooth App on your smartphone.
- **36-Hole Battery:** Long-lasting battery with a USB charging port for devices.
- **Lightweight & Folding Design:** Weighs 34 lbs (with battery) and folds quickly for transport.
- **Stable Performance:** Anti-tipping design, dual motors, and 40-degree slope capability.
- **LCD Display:** Color LCD screen shows speed, battery, lock status, and Bluetooth connection.

## 2. WHAT'S IN THE BOX

Upon unpacking your Axglo E5 Electric Follow Golf Push Cart, please ensure all the following components are present:

- (1) Axglo E5 Electric Golf Trolley
- (1) Remote Control

- (1) Umbrella Holder
- (1) Beverage Holder



Figure 2: The Axglo E5 Electric Golf Push Cart with included beverage and umbrella holders, ready for the course.

### 3. SETUP GUIDE

### 3.1 Unfolding the Cart

1. Place the folded cart on a flat surface.
2. Locate the main release button/lever (refer to Figure 5) and activate it to begin unfolding.
3. Gently lift the handle upwards. The front wheels will automatically extend into position as the cart unfolds.
4. Ensure all locking mechanisms click into place, securing the cart in its fully extended position.

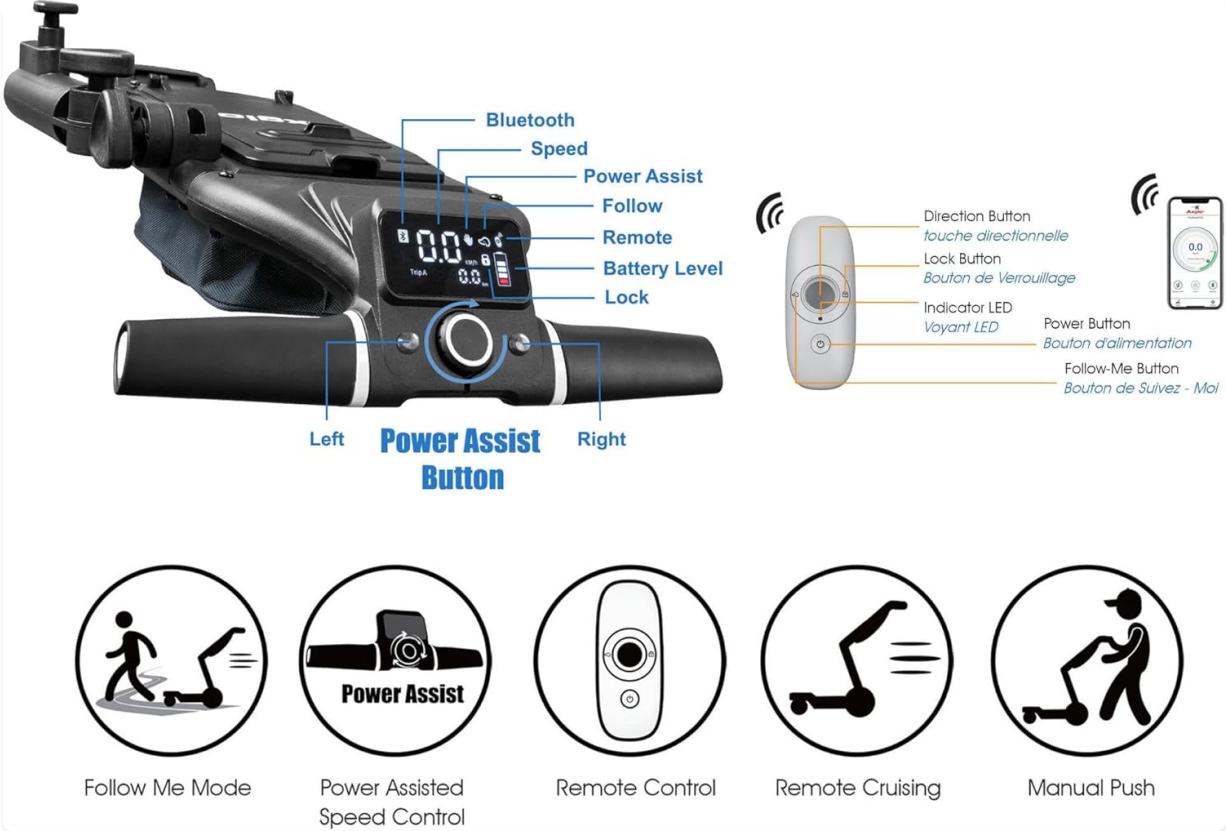
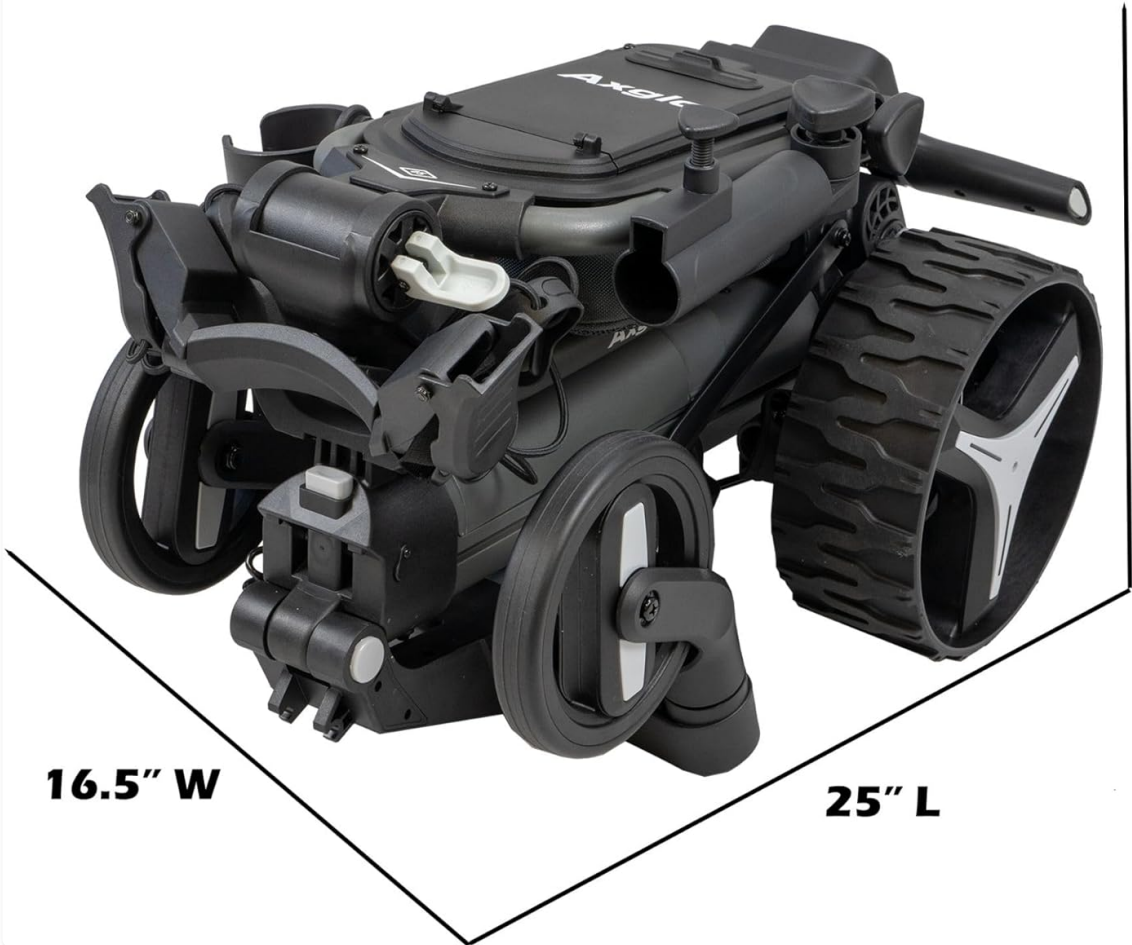


Figure 3: The Axglo E5 Electric Golf Push Cart in its compact, folded configuration, highlighting its portability.

**Total Weight : 16KG  
(With Battery)**

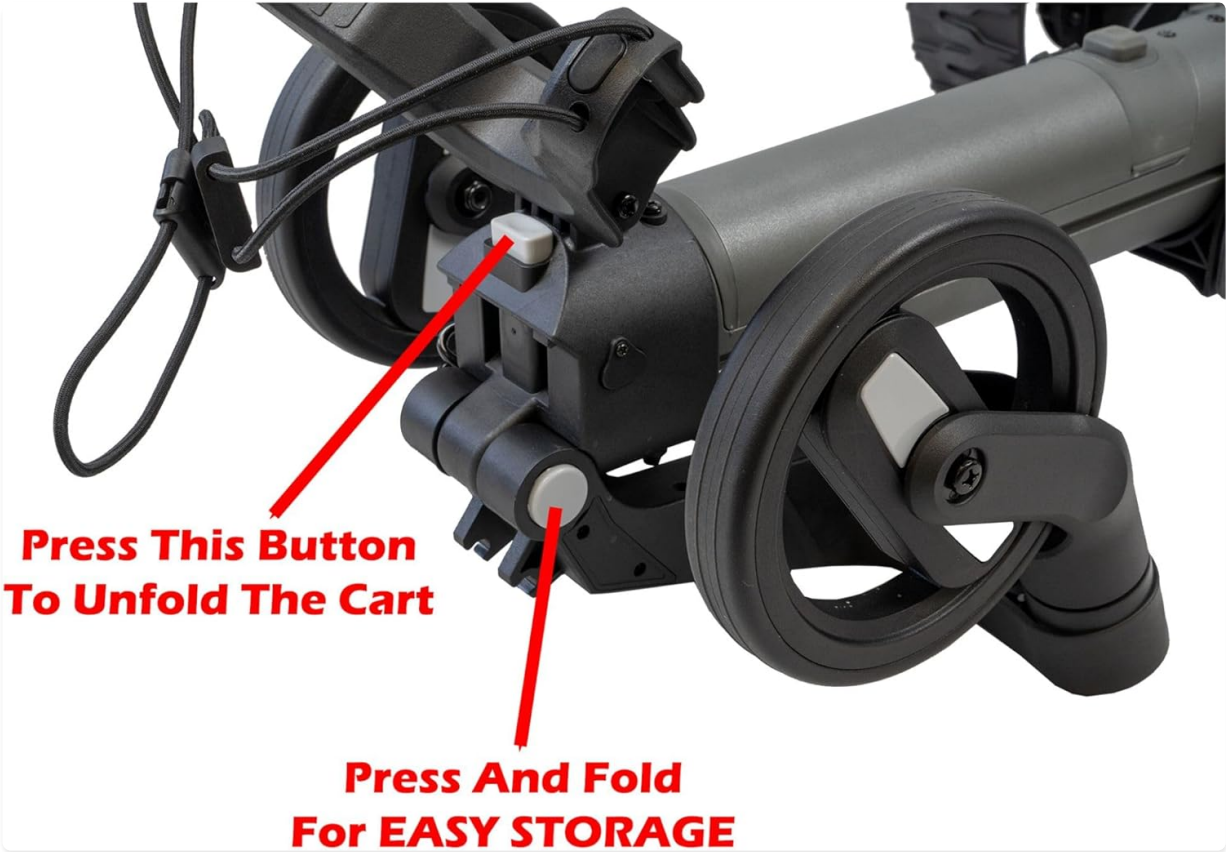
**14.75" H**



**16.5" W**

**25" L**

Figure 4: Key dimensions of the Axglo E5 Electric Golf Push Cart when folded, illustrating its space-saving design.



**Press This Button  
To Unfold The Cart**

**Press And Fold  
For EASY STORAGE**

Figure 5: The designated button for quickly unfolding the Axglo E5 Electric Golf Push Cart.

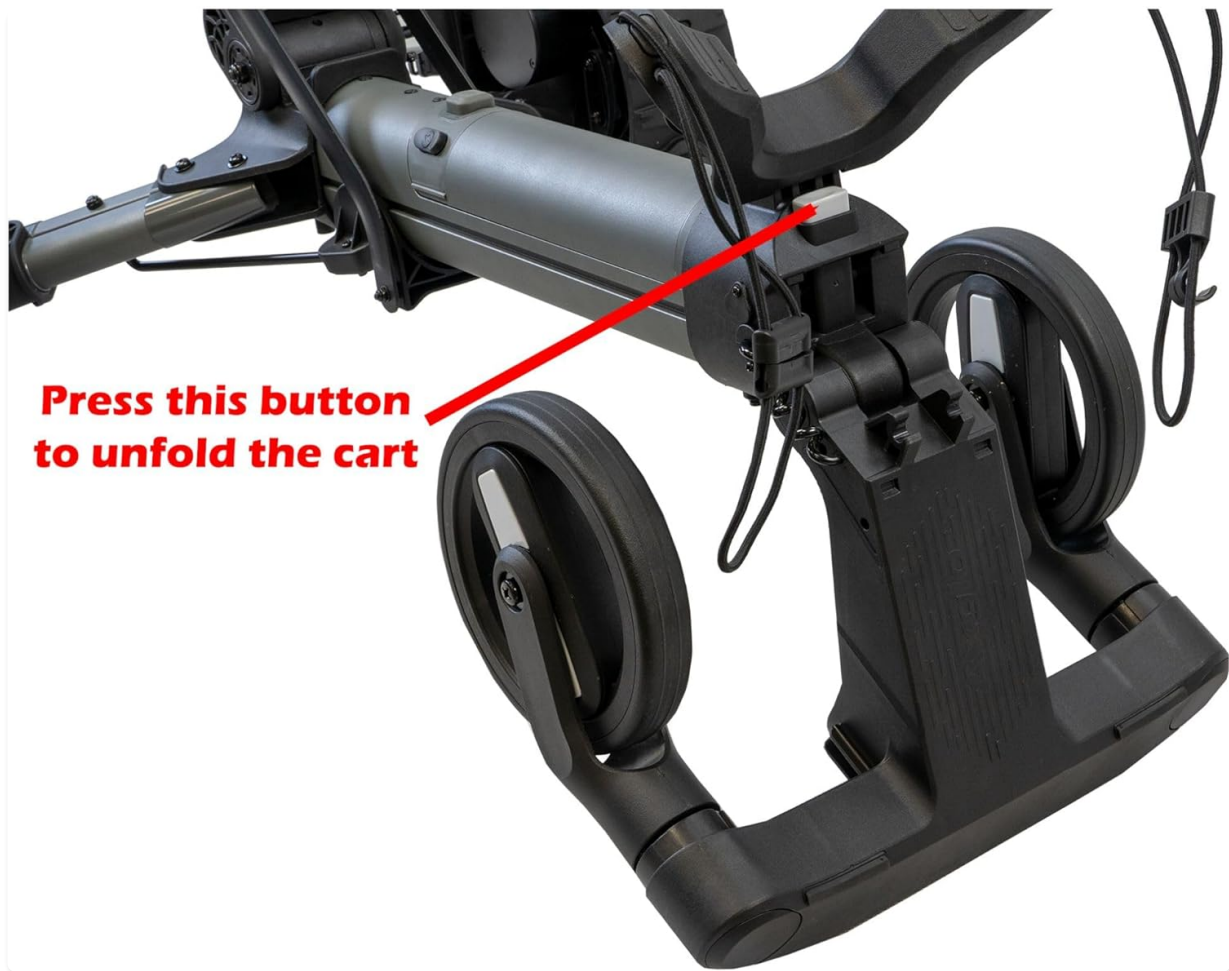


Figure 6: The unfolding mechanism of the Axglo E5 Electric Golf Push Cart, designed for easy setup.

### 3.2 Battery Installation

1. Locate the battery compartment, typically at the base of the cart.
2. Insert the fully charged battery into the compartment, ensuring it clicks securely into place.
3. Connect the battery cable to the cart's power port.

### 3.3 Attaching Your Golf Bag

1. Place your golf bag onto the cart's bag supports.
2. Secure the bag using the adjustable straps provided, ensuring it is firmly held and balanced.

## 4. OPERATING INSTRUCTIONS

---

### 4.1 Powering On/Off

Press and hold the power button on the handlebar display to turn the cart on or off. The LCD screen will illuminate upon activation.



Figure 7: Detailed view of the Axglo E5's LCD screen on the handlebar, displaying essential information like speed, battery life, and connectivity status.

## 4.2 Control Modes

The Axglo E5 offers five distinct control modes:

- **Follow Mode:** The cart automatically follows you at a constant distance.
- **Remote Control:** Use the included remote to steer and adjust the cart's speed and direction.
- **Power Assisted Speed Control:** Manually push the cart with motor assistance, adjusting the speed as needed.
- **Remote Cruising Control:** Set a desired speed for the cart to maintain autonomously.
- **Manual Push Mode:** Operate the cart without motor assistance, similar to a traditional push cart.



Figure 8: An overview of the Axglo E5's remote control and its five versatile operating modes: Follow, Remote, Power Assisted Speed Control, Remote Cruising, and Manual Push.

### 4.3 App Connectivity

Download the Axglo Bluetooth App to use your smartphone as a remote control and access additional settings and information. Pair your device via Bluetooth as per the app's instructions.

## 5. MAINTENANCE

## 5.1 Cleaning

- Wipe down the cart with a damp cloth after each use to remove dirt and debris.
- Avoid using harsh chemicals or abrasive cleaners that could damage the finish.
- Ensure all electrical components are dry before storage.

## 5.2 Battery Care

- Charge the battery fully after each round, even if not completely depleted.
- Store the battery in a cool, dry place when not in use.
- If storing for an extended period, charge the battery to approximately 50-70% and recharge every 1-2 months.

## 5.3 Storage

- Fold the cart into its compact state for easy storage and transport.
- Store the cart in a dry, protected area away from extreme temperatures.

## 6. TROUBLESHOOTING

---

### 6.1 Cart Not Powering On

- Check if the battery is properly installed and fully charged.
- Ensure the battery cable is securely connected to the cart.
- Press and hold the power button for a few seconds to ensure proper activation.

### 6.2 Remote Control Not Responding

- Verify the remote control's battery level.
- Ensure the cart is powered on and within range of the remote.
- Re-pair the remote control with the cart if necessary (refer to the app or manufacturer's website for specific pairing instructions).

### 6.3 Cart Not Following Correctly

- Check for any obstructions around the cart's sensors.
- Ensure the terrain is suitable for Follow Mode (e.g., not excessively steep or uneven).
- Calibrate the cart's posture or steering sensitivity via the Axglo App if available.

## 7. SPECIFICATIONS

---

| Feature                           | Specification         |
|-----------------------------------|-----------------------|
| Item Package Dimensions L x W x H | 44 x 33 x 18 inches   |
| Package Weight                    | 149 Pounds            |
| Item Dimensions LxWxH             | 26.5 x 39 x 43 inches |
| Item Weight                       | 35.3 Pounds           |

|                      |  |
|----------------------|--|
| Brand Name           | Axglo  |
| Model Name           | E5   |
| Color                | Black  |
| Material             | Aluminum   |
| Suggested Users      | unisex-adult   |
| Number of Items      | 1  |
| Manufacturer         | Axglo  |
| Part Number          | E5   |
| Included Components  | (1) Axglo E5 Electric Golf Trolley, (1) Beverage Holder, (1) Remote Control, (1) Umbrella Holder |
| Date First Available | December 1, 2025   |

## 8. WARRANTY INFORMATION

---

The Axglo E5 Electric Follow Golf Push Cart comes with a **2 Year Limited Manufacturer Warranty**. For detailed terms and conditions, please refer to the warranty card included with your product or visit the official Axglo website.

## 9. SUPPORT

---

For further assistance, technical support, or to inquire about replacement parts, please contact Axglo customer service:

- **Website:** [www.axglo.com](http://www.axglo.com) (Please note: This is a placeholder URL. Refer to your product packaging for the official website.)
- **Email:** [support@axglo.com](mailto:support@axglo.com) (Placeholder email.)
- **Phone:** 1-800-XXX-XXXX (Placeholder phone number.)

Please have your model number (E5) and purchase date ready when contacting support.

## 10. OFFICIAL PRODUCT VIDEOS

---

No official product videos specifically for the Axglo E5 Electric Follow Golf Push Cart were found from the seller in the provided data. Please refer to the manufacturer's official website or channels for any available video resources.

