

## Davivy DS-1727-BK

# Davivy 30 Inch Black Double Bowl Granite Kitchen Sink Instruction Manual

Model: DS-1727-BK

## 1. INTRODUCTION

---

Thank you for choosing the Davivy 30 Inch Black Double Bowl Granite Kitchen Sink. This manual provides essential information for the proper installation, operation, and maintenance of your new sink. Please read these instructions carefully before beginning installation and retain them for future reference.

## 2. PRODUCT OVERVIEW

---

The Davivy 30 x 18 Black Double Bowl Granite Kitchen Sink is crafted from 75% natural quartz and 25% resin, offering a durable and aesthetically pleasing addition to your kitchen. Its design focuses on functionality, ease of cleaning, and longevity.

### Key Features:

- **Natural Matte Granite & Fade-Resistant Color:** Features a dense, non-porous surface that resists heat, stains, oil, and fingerprints. The fade-resistant finish maintains color stability over time.
- **Spacious Deep Double Bowl:** Overall size of 30 x 18 x 9 inches, with an interior of 27.6 x 15.6 x 8.2 inches. Designed to accommodate large cookware.
- **Dual Mount Design:** Supports both undermount and drop-in installation to suit various countertop styles.
- **Easy-Clean R15 Rounded Corners:** R15 rounded corners minimize dirt buildup and simplify cleaning.
- **Fast Drainage:** A slanted bottom directs water efficiently towards the drain, preventing pooling.
- **Noise Cessation:** Thick, stone-like material effectively minimizes vibration and noise from running water and dishware.
- **Heat Resistant:** Withstands temperatures up to 500°F.

# Kitchen Sink Dimension

Exterior: 30" x 18" x 9"

Interior: 27.6" x 15.6" x 8.2"

Drain Size: 3.5 inch

## Cutout Size:

Undermount: 27.6" x 15.6" (Suggested)

Topmount: 29.2" x 17.2"

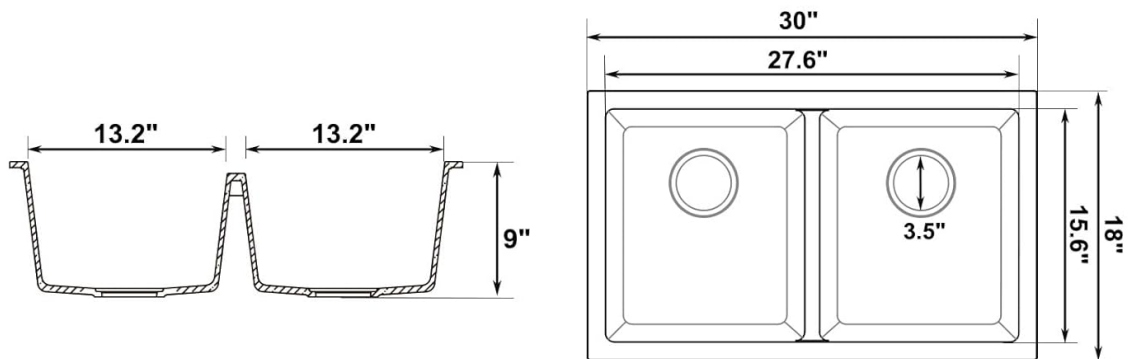


Image: Detailed dimensions for the Davivy 30 inch double bowl kitchen sink, illustrating exterior, interior, drain, and cutout sizes.

- Non-porous Surface
- Hygienic
- Oil Resistant
- Sound Dampening
- Large Capacity Deep Tank
- Heat Resistant
- Food Safe
- R15 Unique Inside Corners

Image: Overview of the Davivy granite composite kitchen sink, emphasizing its material composition and key benefits like easy-to-clean corners, non-porous surface, heat resistance, and natural sound-deadening.

# Spacious Deep Double Bowl

Granite kitchen sink with large, deep double bowls for effortless washing. Its spacious design easily handles big pots, pans, and all your daily kitchen tasks.



Image: Illustration of the spacious deep double bowls, demonstrating their capacity for large kitchen items and indicating a minimum base cabinet size of 33 inches.

## 3. INCLUDED COMPONENTS

The following items are included with your Davivy kitchen sink:

- Davivy 30 x 18 x 9 Black 50/50 Double Granite Composite Sink
- Expandable Drying Basket
- Bottom Grid (for each bowl)
- Drain Assembly (for each bowl)



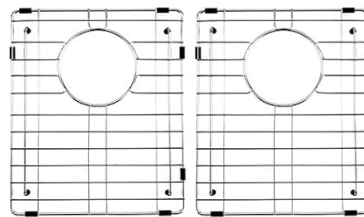
## What's In The Box



Kitchen Sink



Basket



Bottom Grid



Drain

Image: Contents of the package, showing the kitchen sink, expandable drying basket, bottom grids, and drain assemblies.

## 4. INSTALLATION (SETUP)

Your Davivy granite composite sink offers versatile installation options: undermount or drop-in. Ensure your cabinet and countertop are prepared according to the specified cutout dimensions.

### Installation Types:

- **Undermount Installation:** The sink is mounted beneath the countertop. Suggested cutout size: 27.6" x 15.6".
- **Drop-in (Topmount) Installation:** The sink is placed into an opening in the countertop from above. Suggested cutout size: 29.2" x 17.2".

Consult a professional plumber or refer to detailed installation guides for specific steps, including sealing and securing the sink to your countertop. Always verify cutout dimensions with the actual sink before cutting your countertop.

# DUAL MOUNT DESIGN

Topmount or undermount, decide as you wish



Image: Comparison of Undermount and Topmount (Drop-in) installation options for the Davivy kitchen sink.

## 5. OPERATION

The Davivy kitchen sink is designed for daily kitchen tasks, from washing dishes to food preparation. Utilize the included accessories to enhance your experience.

### Using the Accessories:

- **Expandable Drying Basket:** Place the expandable drying basket over one of the sink bowls for air-drying dishes, fruits, or vegetables. It includes a detachable cutlery holder for organization.
- **Bottom Grids:** Position the bottom grids in each sink bowl to protect the sink surface from scratches and allow water to drain freely beneath dishes.
- **Drain Assembly:** The basket strainer in the drain assembly helps catch food debris, preventing clogs. Remove and empty regularly.

Your browser does not support the video tag.

Video: This video demonstrates key features of the Davivy 30 Inch Black Double Bowl Granite Kitchen Sink, including its thick quartz construction, heat resistance, R15 round corners for easy cleaning, the basket strainer for debris removal, sloped bottom for fast drainage, and the extendable dish drying rack with a detachable cutlery holder for organized dish stacking.

## 6. MAINTENANCE

Proper care and maintenance will ensure the longevity and appearance of your Davivy granite composite kitchen sink.

### General Cleaning:

- **Rinse and Wipe:** After each use, thoroughly rinse the sink and wipe it with a soft cloth to prevent water spots and mineral buildup.
- **Gentle Cleaning:** For daily cleaning, use a soft sponge or damp microfiber cloth with mild dish soap.
- **Avoid Harsh Cleaners:** Do not use abrasive cleaners, steel wool, scouring pads, bleach, ammonia, or harsh chemicals, as these can damage the sink's surface.
- **Deep Clean:** For stubborn stains, mix baking powder and water into a paste. Apply to the stain, let it sit for a short period, then rinse and dry.
- **Finishing Shine:** To restore luster and deepen the black color, occasionally wipe the sink with a small amount of cooking oil (e.g., mineral oil or olive oil) and then buff with a clean, dry cloth.



Image: Essential care and maintenance guidelines for your granite kitchen sink, covering daily cleaning, stain removal, and restoring shine.

Your browser does not support the video tag.

Video: This video provides instructions on how to maintain a granite composite kitchen sink, specifically demonstrating how to restore its shine and address minor scratches using cooking oil and a soft cloth.

## 7. TROUBLESHOOTING

Here are solutions to common issues you might encounter with your kitchen sink:

Problem	Possible Cause	Solution
---------	----------------	----------

Problem	Possible Cause	Solution
Slow Drainage	Food debris or grease buildup in the drain.	Remove the basket strainer and clear any visible debris. For deeper clogs, use a drain cleaner safe for plumbing or consult a plumber.
Water Spots/Mineral Buildup	Hard water drying on the sink surface.	Wipe the sink dry after each use. For existing spots, use a solution of equal parts white vinegar and water, let it sit briefly, then rinse and wipe dry.
Dull Surface/Minor Scratches	Normal wear or light surface abrasions.	Apply a small amount of cooking oil (e.g., mineral oil) to a soft cloth and rub it into the sink surface. Buff with a clean, dry cloth to restore shine.
Stains	Food or liquid residue left on the surface.	Clean with a paste of baking powder and water. For tough stains, a non-abrasive cleaner designed for granite composite sinks may be used, following product instructions.

## 8. SPECIFICATIONS

Attribute	Detail
Brand	Davivy
Model Number	DS-1727-BK
Color	Black
Material	Granite Composite (75% natural quartz, 25% resin)
Exterior Dimensions (W x D x H)	30" x 18" x 9"
Interior Dimensions (W x D x H)	27.6" x 15.6" x 8.2"
Drain Size	3.5 inches
Installation Type	Dual Mount (Undermount/Drop-in)
Heat Resistance	Up to 500°F
Included Components	Sink, Expandable Drying Basket, Bottom Grids, Drain Assemblies

## 9. WARRANTY AND SUPPORT

Your Davivy kitchen sink comes with a **2-year manufacturer warranty** covering defects in materials and workmanship. This warranty ensures your product meets industry-leading standards.

For warranty claims, technical assistance, or any inquiries regarding your product, please contact Davivy customer support through the retailer where you purchased the sink or visit the official Davivy website for contact information.

Please retain your proof of purchase for warranty validation.

