

[Manuals.plus](#) /

> [Hohopeti](#) /

> Hohopeti Bathroom Privacy Indicator Lock User Manual

Hohopeti U0VW55012459C99VBYP6V

Hohopeti Bathroom Privacy Indicator Lock User Manual

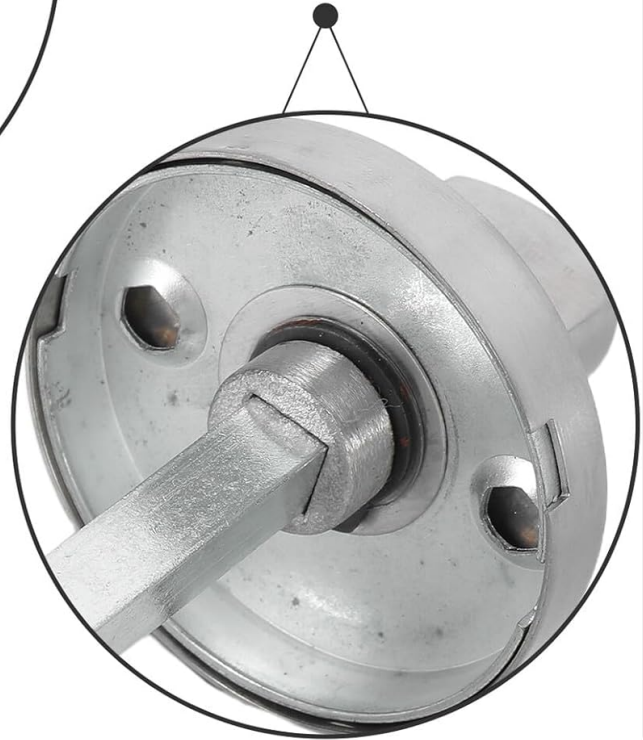
Brand: Hohopeti | Model: U0VW55012459C99VBYP6V

INTRODUCTION

Thank you for choosing the Hohopeti Bathroom Privacy Indicator Lock. This durable stainless steel latch is designed for various applications, including commercial and public restrooms, offices, and hotel bathrooms. It provides clear occupancy indication and ensures privacy for users. Its robust construction and low-maintenance finish make it suitable for high-traffic environments.



**STURDY
MATERIAL**



**DELICATE
DETAILS**

Image: Close-up views showcasing the sturdy material and detailed craftsmanship of the lock.

SETUP AND INSTALLATION

This section provides general guidelines for installing your Hohopeti Privacy Indicator Lock. Professional installation is recommended for optimal performance and security.

Package Contents:

- 1 x Hohopeti Bathroom Privacy Indicator Lock Set
- Mounting Screws (typically included)

Dimensions:

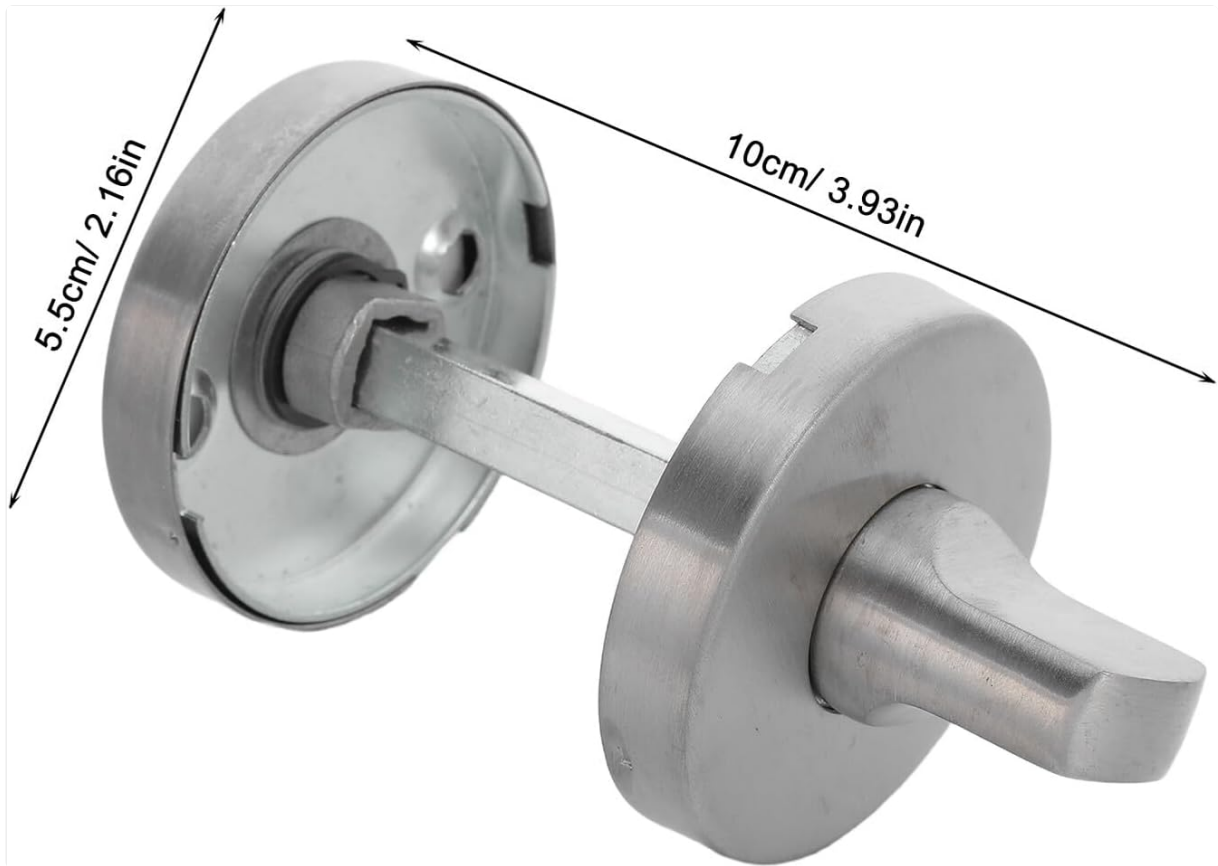


Image: Product dimensions, illustrating the lock's length and diameter.

Installation Steps (General):

1. **Prepare the Door:** Ensure the door has the appropriate bore holes for a standard privacy lock.
2. **Insert the Latch Mechanism:** Place the latch mechanism into the edge of the door.
3. **Attach the Spindle:** Insert the square spindle through the latch mechanism.
4. **Mount the Lock Bodies:** Position the inner and outer lock bodies onto the spindle, aligning them with the screw holes.
5. **Secure with Screws:** Use the provided screws to firmly attach both sides of the lock to the door. Ensure the indicator mechanism is correctly oriented.
6. **Test Operation:** Verify that the latch retracts smoothly and the privacy indicator functions correctly.



Image: Components of the lock, including the main body and screws, ready for installation.

OPERATING INSTRUCTIONS

The Hohopeti Privacy Indicator Lock is designed for simple and clear operation, providing immediate visual feedback on room occupancy.

Locking and Unlocking:

- To lock the door from the inside, rotate the thumb-turn mechanism.
- To unlock, rotate the thumb-turn in the opposite direction.

Privacy Indicator:

The external indicator clearly displays the occupancy status:

- **Green:** Indicates the room is vacant and available for use.
- **Red:** Indicates the room is occupied and locked.



Image: The privacy indicator lock installed on a door, demonstrating its visual occupancy status.

MAINTENANCE

The Hohopeti Privacy Indicator Lock features a low-maintenance stainless steel finish, designed for durability and ease of cleaning.

- **Cleaning:** Wipe the surface regularly with a soft, damp cloth. Avoid abrasive cleaners or harsh chemicals, which can damage the finish.
- **Lubrication:** Periodically, a small amount of silicone-based lubricant can be applied to the moving parts of the latch mechanism to ensure smooth operation.
- **Inspection:** Check all screws and components periodically to ensure they remain tight and secure. Tighten any loose screws as needed.

TROUBLESHOOTING

If you encounter issues with your Hohopeti Privacy Indicator Lock, please refer to the following common solutions:

- **Latch Not Retracting Smoothly:** Check for any obstructions in the door frame or strike plate. Apply lubricant to the latch mechanism if necessary.

- **Indicator Not Changing:** Ensure the internal thumb-turn mechanism is fully engaging the locking spindle. Check for any loose connections or misalignments during installation.
- **Loose Lock:** Tighten all mounting screws. If the lock continues to feel loose, re-evaluate the installation to ensure proper fit.
- **Difficulty Locking/Unlocking:** Ensure the door is properly aligned and not binding in the frame. The strike plate might need adjustment.

If these steps do not resolve the issue, please contact Hohopeti customer support for further assistance.

SPECIFICATIONS

Feature	Detail
Product Dimensions	10 x 5.5 x 5.5 cm (3.93 x 2.16 x 2.16 inches)
Product Weight	223 grams
Material	Stainless Steel
Color	Silver
Model Number	U0VW55012459C99VBYS6V

WARRANTY INFORMATION

Hohopeti products are manufactured to high-quality standards. For specific warranty details regarding your Bathroom Privacy Indicator Lock, please refer to the product packaging or contact Hohopeti customer support directly. Keep your proof of purchase for any warranty claims.

CUSTOMER SUPPORT

For further assistance, technical support, or inquiries about your Hohopeti Bathroom Privacy Indicator Lock, please visit the Hohopeti Store on Amazon or refer to the contact information provided with your product.

Online Store: [Hohopeti Store](#)