

## Masupu 3 Tiers (29.1"H)

# Masupu 3-Tier Bathroom Shelf Instruction Manual

Model: 3 Tiers (29.1"H)

[Overview](#)

[Safety](#)

[Contents](#)

[Assembly](#)

[Usage](#)

[Maintenance](#)

[Troubleshooting](#)

[Specifications](#)

[Support](#)

## 1. PRODUCT OVERVIEW

---

The Masupu 3-Tier Bathroom Shelf is a free-standing metal rack designed to provide convenient storage in small spaces. Its open design with protective guardrails efficiently utilizes vertical space, helping to keep items organized and easily accessible. This versatile shelf features a modern white finish and a minimalist style, making it suitable for various rooms.



Image: The Masupu 3-Tier Bathroom Shelf (center) shown with 2-tier and 4-tier models, illustrating the different height options and overall dimensions. The 3-tier model measures 29.13 inches in height.

## 2. SAFETY INFORMATION

---

Please read and follow these safety guidelines to ensure safe use of your Masupu 3-Tier Bathroom Shelf:

- **Do not overload shelves:** Exceeding the weight capacity can compromise stability and lead to collapse.
- **Secure items:** Place items carefully to prevent them from falling off the shelves.
- **Use only as intended:** This shelf is designed for storage of household items. Do not use it for climbing or as a step stool.
- **Ensure stability:** Always place the shelf on a flat, level surface. Use the adjustable feet to compensate for uneven floors.

## 3. PACKAGE CONTENTS

---

Before assembly, verify that all components are present and undamaged. If any parts are missing or damaged, please contact customer support.

- Left Side Frame (1)
- Right Side Frame (1)
- Shelf Panels (3)
- Connecting Screws/Bolts (Quantity as per diagram)
- Adjustable Leveling Feet (4)
- Assembly Tool (e.g., Allen Wrench) (1)

## 4. ASSEMBLY INSTRUCTIONS

Assembly of the Masupu 3-Tier Bathroom Shelf is required. Please follow these steps carefully:

1. **Unpack Components:** Carefully remove all parts from the packaging and lay them out on a clean, soft surface to prevent scratches.
2. **Attach Leveling Feet:** Screw the four adjustable leveling feet into the bottom of the Left and Right Side Frames. Do not tighten completely yet.
3. **Connect Shelf Panels:** Align the first shelf panel with the designated slots on the Left and Right Side Frames. Secure it using the provided screws/bolts. Ensure the guardrails are facing upwards.
4. **Repeat for Remaining Shelves:** Attach the second and third shelf panels in the same manner, working from bottom to top.
5. **Tighten All Fasteners:** Once all shelves are in place, carefully tighten all screws/bolts using the provided assembly tool. Do not overtighten.
6. **Level the Shelf:** Place the assembled shelf in its desired location. Adjust the leveling feet by rotating them until the shelf is stable and does not wobble.

## Product Size

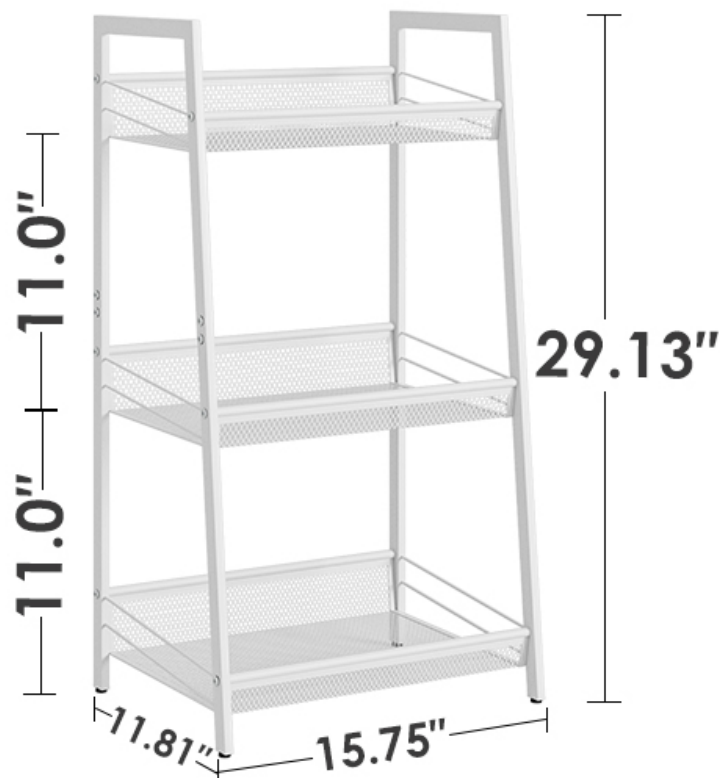


Image: A detailed view of the metal mesh shelf and frame, showing the connection points and the robust construction. This

illustrates the components involved in assembly.



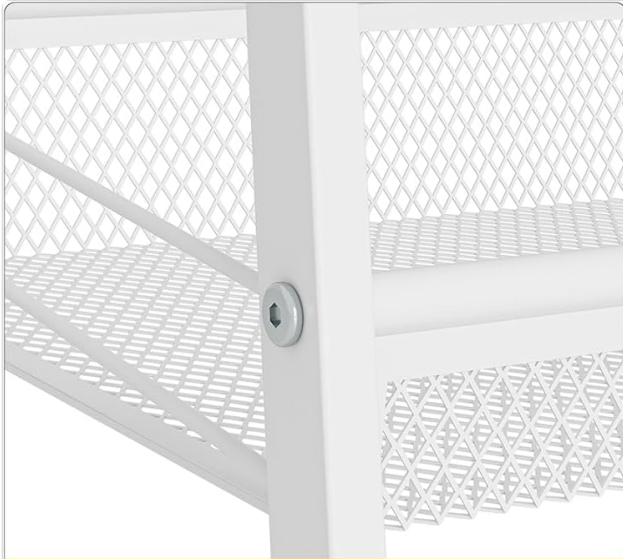
Image: This graphic illustrates key features relevant to assembly and stability, including the ability to hold heavy weight, secure guardrails, mesh design for airflow and small item protection, and adjustable feet for leveling.

## 5. OPERATING INSTRUCTIONS / USAGE

---

The Masupu 3-Tier Bathroom Shelf is designed for versatile storage in various home environments. Its features enhance both functionality and safety:

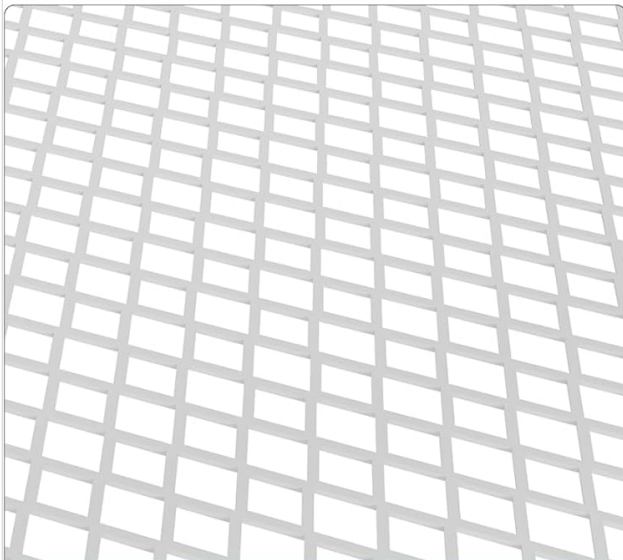
- **Secure Storage:** The full guardrail design on all tiers helps prevent items from falling. The U-shaped front on key layers allows for easy placement and retrieval while maintaining security.
- **Heavy-Duty Construction:** Built with a sturdy metal frame and reinforced wire mesh shelves, this unit offers significant load-bearing capacity.
- **Ventilated Design:** The mesh shelves promote air circulation, which helps prevent moisture buildup, making it suitable for damp environments like bathrooms and laundry rooms.
- **Versatile Placement:** This shelf is ideal for organizing toiletries, towels, baskets, plants, tissue, and clothes in bathrooms, kitchens, bedrooms, and hallways.



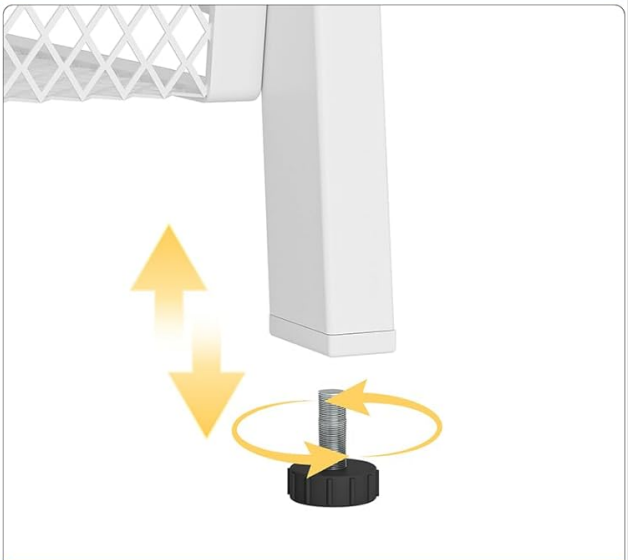
**Built to Hold Heavy Weight**



**Keep Everything Safely In Place**



**Airflow & Small Item Protection**



**Get a Perfectly Level Setup**

Image: The 3-tier shelf positioned next to a bathtub and toilet, demonstrating its use for storing bathroom essentials like lotions, rolled towels, and a storage bin.

Choose your perfect fit:  
Stack it with **2, 3, or 4** shelves



Image: The 3-tier shelf placed in a laundry area next to a washing machine, used for organizing laundry detergents, fabric softeners, and folded towels.



Our

- Elevated Geometry
- Designed with an Angle
- Visually Engaged



Other

- Standard Issue
- Function Alone
- Visually Predictable



VS

Image: The 3-tier shelf utilized in a kitchen setting, providing storage for cooking oils, spices, and various kitchen accessories.

## 6. MAINTENANCE

To ensure the longevity and appearance of your Masupu 3-Tier Bathroom Shelf, follow these simple maintenance guidelines:

- **Cleaning:** Wipe the shelf regularly with a soft, damp cloth. For stubborn dirt, a mild soap solution can be used, followed by wiping with a clean, dry cloth.
- **Avoid Harsh Chemicals:** Do not use abrasive cleaners, scouring pads, or harsh chemical detergents, as these can damage the finish.
- **Check Stability:** Periodically check all screws and connections to ensure they remain tight. Re-tighten if necessary.
- **Rust Prevention:** While the shelf is rust-resistant, promptly wipe away any standing water, especially in damp environments, to further prevent corrosion.

## 7. TROUBLESHOOTING

If you encounter any issues with your Masupu 3-Tier Bathroom Shelf, refer to the following common solutions:

- **Shelf is wobbly:**

- Ensure all screws are securely tightened.
- Adjust the leveling feet on the bottom of the frame to compensate for uneven floor surfaces.

- **Items falling off:**

- Ensure items are placed within the guardrails and are not stacked too high.
- Avoid placing the shelf in high-traffic areas where it might be bumped.

- **Missing parts during assembly:**

- Double-check the packaging. If parts are genuinely missing, contact Masupu customer support for assistance.

## 8. PRODUCT SPECIFICATIONS

Feature	Detail
Brand	Masupu
Model	3 Tiers (29.1"H)
Product Dimensions	11.8"D x 15.74"W x 29.1"H
Number of Shelves	3
Material	Metal
Color	White
Style	Modern
Installation Type	Freestanding
Assembly Required	Yes
Item Weight	5.32 pounds (2.42 Kilograms)



Image: A technical diagram detailing the exact dimensions of the 3-tier shelf, including width, depth, overall height, and the vertical spacing between each shelf.

## 9. CUSTOMER SUPPORT

For any questions, concerns, or assistance with your Masupu 3-Tier Bathroom Shelf, please contact Masupu

customer support. Refer to your purchase documentation for specific contact details or visit the official Masupu website.

© 2026 Masupu. All rights reserved.