

PEKOKO L4pro

PEKOKO L4pro Handheld Portable Laser Marking Machine User Manual

Model: L4pro

1. PRODUCT OVERVIEW

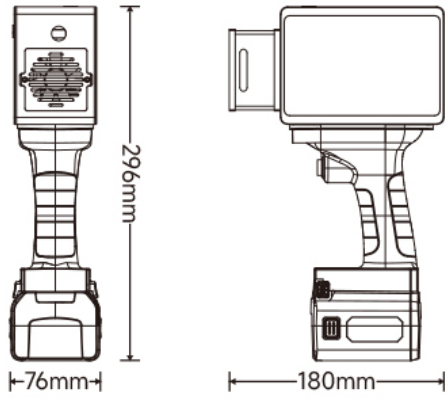
The PEKOKO L4pro is a 5W handheld portable laser marking machine designed for precise and permanent marking on a wide range of materials. Its compact and lightweight design, combined with a 5-inch full-color touch screen, makes it suitable for various applications.

Key Features

- **Intelligent Control Screen:** Features a 5-inch full-color touch screen with independent software for intuitive and easy operation. The device weighs 1.1KG, ensuring portability.
- **Precision Red Light Positioning:** Utilizes projection border and graphics two-positioning preview modes to quickly and accurately determine the marking position on the material.
- **Long Battery Lifetime:** Equipped with two DC7.4V removable batteries (9000MAH each), providing convenience for outdoor work and extended use.
- **Ink-Free Operation:** This non-consumable intelligent coding machine eliminates the need for traditional ink, offering a clean and efficient marking solution.
- **Multi-material Compatibility:** Suitable for marking on a diverse range of materials including plastic, wood, cardboard, canvas, leather, glass, carton, and painted metal products.
- **Speed Coding System:** Features an independently developed operating system that ensures clearer and faster coding, significantly reducing marking time.

2. PACKAGE CONTENTS

Verify that all items listed below are included in your PEKOKO L4pro package.



Standard List			
<p>① Metal box</p>		<p>② Controller</p>	
<p>③ Battery x2</p>		<p>④ Power adapter</p>	<p>⑤ Tool kit</p>

This image displays the standard list of items included with the PEKOKO L4pro handheld laser marking machine. It shows the main controller unit, a protective metal carrying case, two rechargeable batteries, a power adapter, and a tool kit.

1. Metal Box
2. Controller (Main Unit)
3. Battery x2
4. Power Adapter
5. Tool Kit

3. DEVICE COMPONENTS

Familiarize yourself with the main parts of your PEKOKO L4pro handheld laser marking machine.



This diagram identifies the key components of the PEKOKO L4pro. Numbered parts include: 1) Host, 2) Battery, 3) Protection Shield, 4) Fan, 5) USB interface, 6) Trigger button, 7) Main control screen, and 8) Power switch.

1. **Host:** The main body of the laser marking machine.
2. **Battery:** Removable power source for portable operation.
3. **Protection Shield:** Safety component to protect against laser exposure.
4. **Fan:** Provides cooling for internal components.
5. **USB Interface:** Port for data transfer and connectivity.
6. **Trigger Button:** Activates the laser marking process.
7. **Main Control Screen:** 5-inch touch screen for operating the device.
8. **Power Switch:** Turns the device on or off.

4. SETUP

4.1 Battery Installation

To install the battery, align it with the battery compartment at the base of the device and slide it in until it clicks securely into place. Ensure the red release button is facing outwards.



This image shows the correct method for installing the removable battery into the PEKOKO L4pro handheld laser marking machine.

4.2 Powering On/Off

Locate the power switch (component 8 in the Device Components diagram) and press it to turn the device on. The main control screen will illuminate. To power off, press the switch again.

4.3 Initial Configuration

Upon first power-on, the device may guide you through initial language and time settings on the 5-inch touch screen. Follow the on-screen prompts to complete the setup.

Your browser does not support the video tag.

This video provides a detailed look at the contents of the PEKOKO L4pro package and guides you through the initial steps of setting up the device.

5. OPERATING INSTRUCTIONS

5.1 User Interface Navigation

The 5-inch full-color touch screen provides an intuitive interface for creating and managing marking tasks. Navigate through options for text, images, serial numbers, dates, barcodes, and QR codes.





The PEKOKO L4pro touch screen interface showing various marking options and settings.

5.2 Creating a Marking Project

Use the touch screen to select the desired marking type (text, image, barcode, QR code, etc.). Input your content or upload an image via the USB interface. Adjust parameters such as font size, position, and marking intensity as needed.

Your browser does not support the video tag.

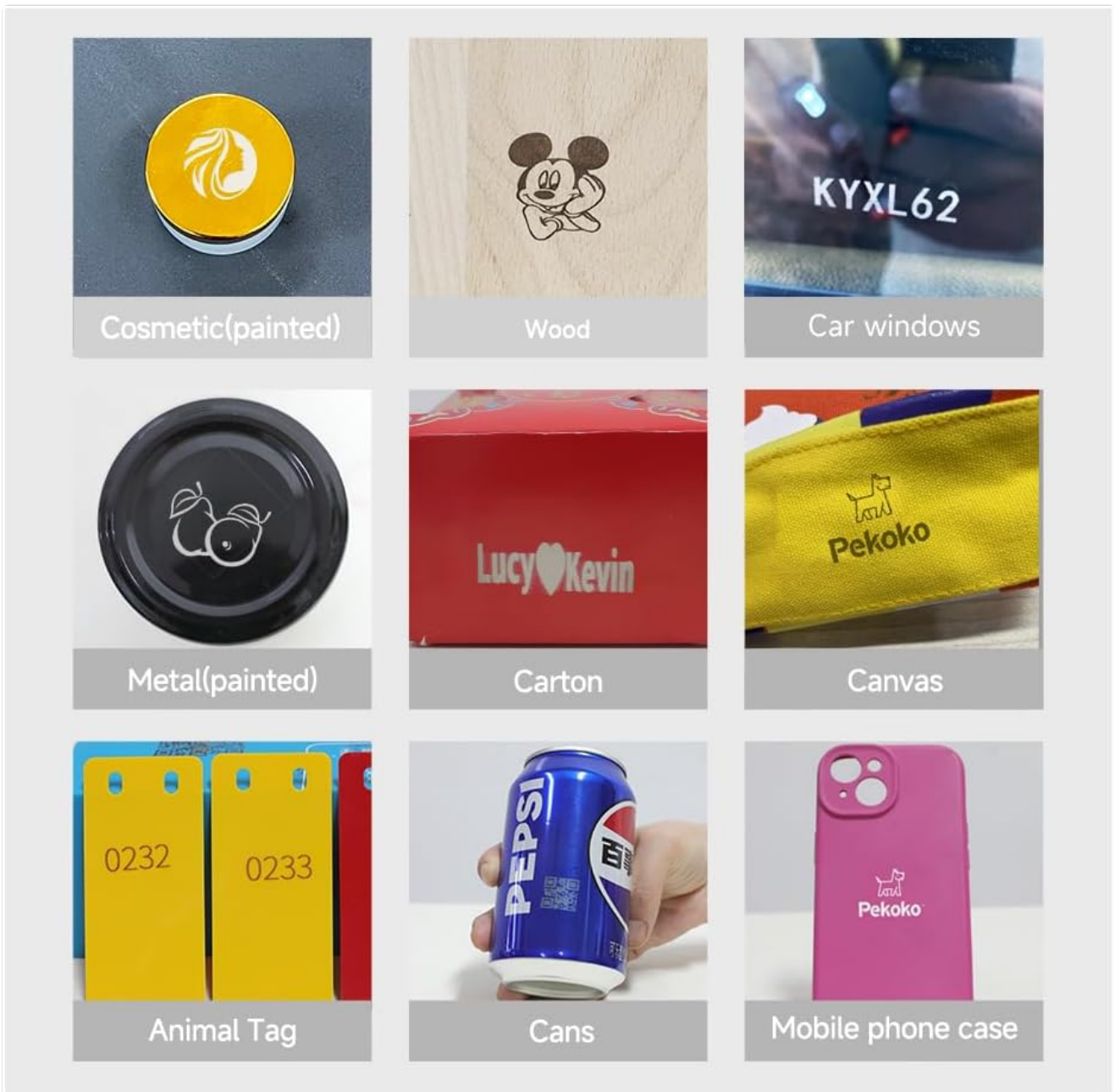
This comprehensive video demonstrates the process of creating a new marking project, inputting text or selecting images, and adjusting various settings on the PEKOKO L4pro.

Your browser does not support the video tag.

Watch this video for a step-by-step guide on using the PEKOKO L4pro portable laser marking printer, focusing on its core operational features.

5.3 Positioning and Preview

Before marking, utilize the precision red light positioning feature. This projects the marking area onto your material, allowing for accurate alignment. The device offers both border and graphics preview modes.



The red light positioning feature projects the marking area onto your material, allowing for precise alignment before engraving. This

image shows the projection border and graphics preview.

5.4 Executing a Mark

Once the content is prepared and positioned, press the trigger button (component 6) to initiate the laser marking process. Maintain a steady hand and consistent speed for optimal results.

5.5 Supported Marking Types

The PEKOKO L4pro supports various marking types, including plain text, images, sequential serial numbers, dates, barcodes, QR codes, and DM codes.



TEXT

Text



Image

0001
0002
0003

Serial Number

MFD:2024/08/05
EXP:20240805

Date



Barcode

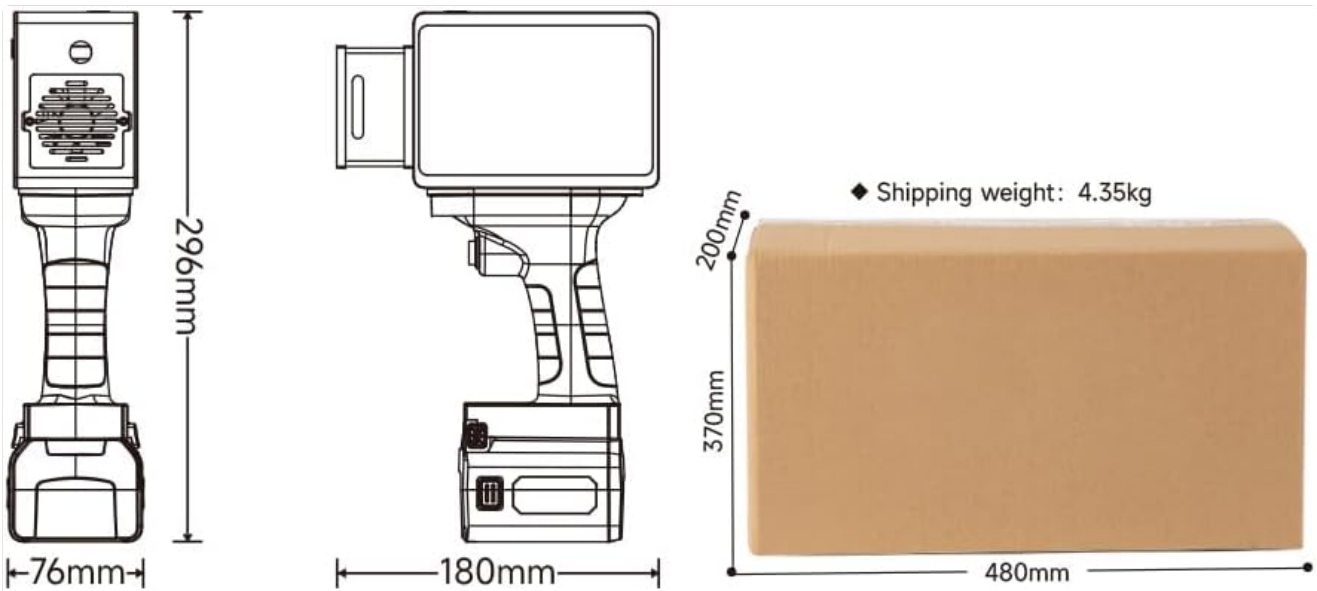


QR Code DM Code

This image illustrates the various marking types supported by the PEKOKO L4pro, including text, images, serial numbers, dates, barcodes, and QR codes.

5.6 Material Compatibility

The device is compatible with a wide array of materials. Test on a small, inconspicuous area first to ensure desired results.



Standard List			
<p>① Metal box</p>	<p>② Controller</p>	<p>③ Battery x2</p>	<p>④ Power adapter</p>
		<p>⑤ Tool kit</p>	

This image showcases the versatility of the PEKOKO L4pro, demonstrating its ability to mark on diverse materials such as painted cosmetics, wood, car windows, painted metal, cardboard, canvas, animal tags, beverage cans, and mobile phone cases.

Your browser does not support the video tag.

This brief video illustrates the PEKOKO L4pro's capability to print identification marks on car windows.

Your browser does not support the video tag.

This video highlights the wide range of applications for the PEKOKO L4pro, demonstrating its use on multiple material types.

Your browser does not support the video tag.

This video provides a creative idea for customizing gifts using the PEKOKO L4pro on materials like wood and paper.

6. MAINTENANCE

The PEKOKO L4pro is designed for low maintenance due to its non-consumable laser marking technology, eliminating the need for ink cartridges.

6.1 Cleaning

Regularly clean the device's exterior and the laser output window with a soft, dry, lint-free cloth. Ensure no dust or debris obstructs the laser path. Do not use abrasive cleaners or solvents.

6.2 Battery Care

To prolong battery life, fully charge the batteries before first use and store them in a cool, dry place when not in use for extended periods. Avoid exposing batteries to extreme temperatures or physical damage.

7. TROUBLESHOOTING

7.1 Common Issues and Solutions

Device Not Powering On

- Ensure the batteries are correctly installed and fully charged.
- Verify the power switch is in the 'On' position.
- If using the power adapter, ensure it is securely connected to both the device and a working power outlet.

Marking Not Appearing or Faint

- Check the laser output window for any obstructions or dirt.
- Ensure the material is compatible with laser marking. Some materials may require specific settings or may not be suitable.
- Adjust marking parameters such as laser power and speed in the software. Higher power or slower speed may be needed for certain materials.
- Verify the focus distance if adjustable.

Positioning Inaccuracy

- Re-calibrate the red light positioning system if the option is available in the device settings.
- Ensure the device is held steady and perpendicular to the marking surface during the marking process.
- Confirm that the preview matches the intended marking area before triggering the laser.

8. SPECIFICATIONS

Feature	Detail
Brand	PEKOKO
Model Name	L4pro
Connectivity Technology	USB
Printing Technology	Laser
Special Features	Lightweight, Permanent marking, No consumables, Projection border & graphics two positioning preview mode, Touch Screen, Two batteries for outdoor marking, Handheld laser marking machine

Feature	Detail
Color	Silver
Printer Output	Monochrome
Maximum Print Speed (Color/Monochrome)	12000.0 pages per minute
Item Weight	1.1 Kilograms
Printer Type	Laser
Print Media	Labels (and various other materials)
Additional Printer Functions	Print Only
Maximum Sheet Capacity	50 (for certain applications)
Duplex Printing	Simplex (No dual-sided printing)
Specific Uses For Product	Marking and coding on various materials (plastic, wood, cardboard, canvas, leather, glass, carton, painted metal), QR codes, barcodes, dates, numbers, logos, and images
Manufacturer	PEKOKO
Total USB Ports	1

9. WARRANTY INFORMATION

The PEKOKO L4pro comes with a **1-year warranty** from the manufacturer. For detailed warranty terms and conditions, please refer to the documentation included with your product or contact customer support.

Optional Protection Plans

Additional protection plans may be available for purchase to extend coverage beyond the standard manufacturer's warranty:

- **4-Year Protection Plan:** Provides extended coverage for 48 months.
- **Complete Protect:** A monthly subscription plan covering eligible past and future purchases.

10. CUSTOMER SUPPORT

For technical assistance, troubleshooting, or warranty claims, please contact PEKOKO customer support. Visit the [PEKOKO Store on Amazon](#) for more information and to contact the seller directly.

You can also find answers to frequently asked questions on the PEKOKO brand page. For general inquiries or product information, you may visit the manufacturer's website: www.cnkailan.com.

