

[Manuals.plus](#) /

› [SMALLRIG](#) /

› SmallRig D-Style NATO Rail Top Handle with Quick Release Clamp - Model 5661 User Manual

SMALLRIG 5661

SmallRig D-Style NATO Rail Top Handle with Quick Release Clamp

Model: 5661

1. INTRODUCTION

The SmallRig D-Style NATO Rail Top Handle (Model 5661) is designed to enhance the handling and accessory mounting capabilities of your camera rig. Featuring a quick-release NATO clamp system and an ergonomic silicone grip, this handle provides secure and comfortable operation for various shooting scenarios, including low-angle shots. It offers multiple mounting points for attaching additional camera accessories.

Superior Comfort

Ergonomically shaped to fit your palm perfectly. Eco-friendly, cold-resistant silicone surface offers a secure, non-slip grip



Image: The SmallRig D-Style NATO Rail Top Handle (Model 5661) mounted on a camera setup, demonstrating its primary function as a grip and accessory platform.

2. PACKAGE CONTENTS

Verify that all items are present in the package:

- Top Handle x 1
- NATO Rail x 1
- Allen Wrench x 1

Package Includes

ID: 5661

Top Handle × 1
NATO Rail × 1
Allen Wrench × 1



Specifications

Product Dimensions

148.0 × 76.0 × 30.3mm / 5.8 × 3.0 × 1.2in

Product Weight

178.0 ± 5.0g / 6.3 ± 0.2oz

Material(s)

Aluminum Alloy,
Stainless Steel, Silicone

Package Dimensions

184.0 × 102.5 × 61.0mm / 7.2 × 4.0 × 2.4in

Package Weight

245.4 ± 5.0g / 8.7 ± 0.2oz

Image: An illustration detailing the components included in the product package: the D-Style Top Handle, a NATO Rail, and an Allen Wrench.

3. KEY FEATURES

3.1. NATO Locking System

The integrated NATO quick-release clamp system allows for rapid attachment, detachment, and repositioning of the handle on any compatible NATO rail. The included NATO rail ensures a secure and adaptable connection to your camera cage or rig.



Image: A visual representation of the NATO Locking System, demonstrating how the handle slides and locks onto a NATO rail for quick adjustments.

3.2. Ergonomic D-Shape Silicone Grip

Constructed with a durable aluminum alloy frame and an eco-friendly, cold-resistant silicone grip, the handle provides a firm, comfortable, and non-slip hold. This design minimizes hand fatigue during extended use.

NATO Locking System

Facilitates efficient assembly and intuitive adjustments
Included NATO rail enables fast, adaptable mounting
for any shoot



Image: A detailed view of the D-Style handle, emphasizing its ergonomic shape and the comfortable, cold-resistant silicone grip.

3.3. Multiple Mounting Points

The handle features various mounting interfaces, including 1/4"-20 threaded holes, ARRI standard 3/8"-16 threaded holes, and cold shoe mounts. These allow for seamless integration of monitors, microphones, magic arms, LED lights, and other accessories.

Compatibility

Compatible with accessories featuring NATO rails or
1/4"-20 threaded holes (center spacing \leq 18mm)



Image: A diagram highlighting the diverse mounting options available on the handle, such as 1/4"-20 and ARRI 3/8"-16 threaded holes, and cold shoe mounts for accessory attachment.

3.4. Rugged Durability and Load Capacity

Constructed from aluminum alloy and stainless steel, this handle is built for reliable, long-term performance. It supports heavy loads, with a maximum capacity of 15 kg (33.1 lbs), ensuring stability even with extensive camera setups.

Seamless Accessory Integration

Provides versatile expansion options to integrate your gear

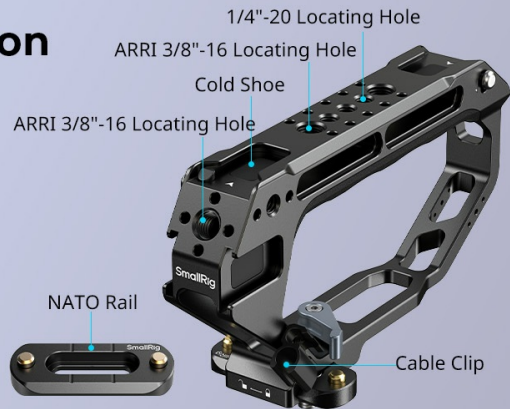


Image: The handle supporting a camera rig, illustrating its robust construction and stated load capacity of 15 kg (33.1 lbs).

3.5. Optimized for Low-Angle Shooting

The D-style construction and top-mounted design provide exceptional stability and control, making it ideal for capturing challenging low-angle shots with ease and precision.

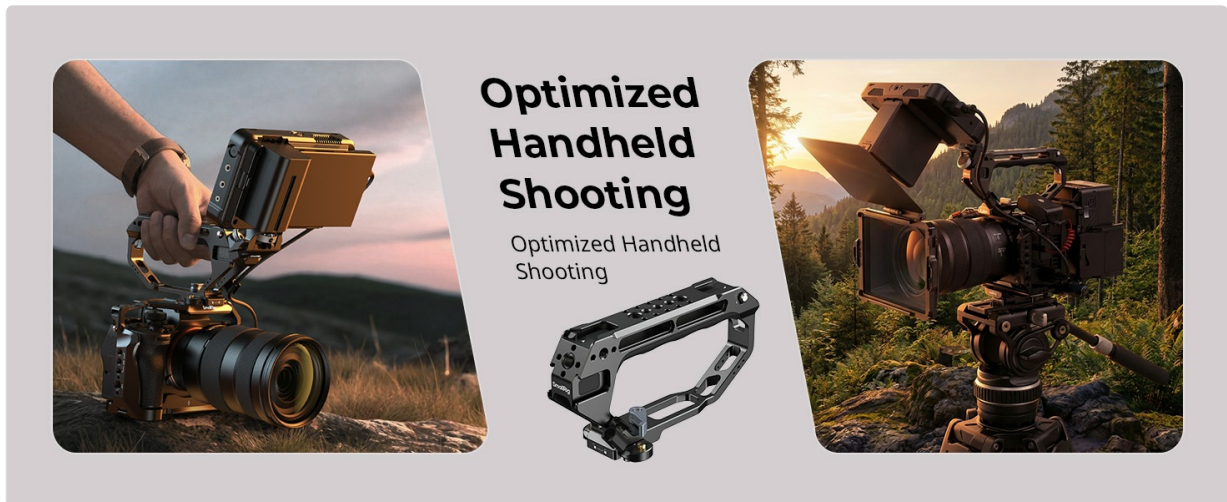


Image: A comparison showing the handle used for both standard handheld and optimized low-angle shooting configurations.

4. SETUP INSTRUCTIONS

4.1. Attaching the NATO Rail to Your Camera Cage

1. Identify the desired mounting location on your camera cage or rig. Ensure it has two 1/4"-20 threaded holes with appropriate spacing for the included NATO rail.
2. Align the NATO rail with the threaded holes on your camera cage.
3. Use the provided Allen wrench and screws (typically 1/4"-20 screws, not explicitly listed but standard for NATO rails) to securely fasten the NATO rail to the cage. Do not overtighten.

4.2. Attaching the Top Handle to the NATO Rail

1. Locate the quick-release clamp on the underside of the D-Style Top Handle.
2. Loosen the locking knob on the quick-release clamp.

3. Slide the handle's clamp onto the NATO rail attached to your camera cage.
4. Position the handle to your preferred orientation and then tighten the locking knob firmly to secure the handle in place. Ensure it is stable and does not wobble.

5. OPERATING INSTRUCTIONS

5.1. Using the Handle as a Grip

- Hold the D-Style Top Handle firmly to stabilize your camera rig during handheld shooting. The ergonomic silicone grip provides comfort and reduces strain.
- Utilize the handle for low-angle shots by positioning the camera rig closer to the ground and gripping the handle from above.

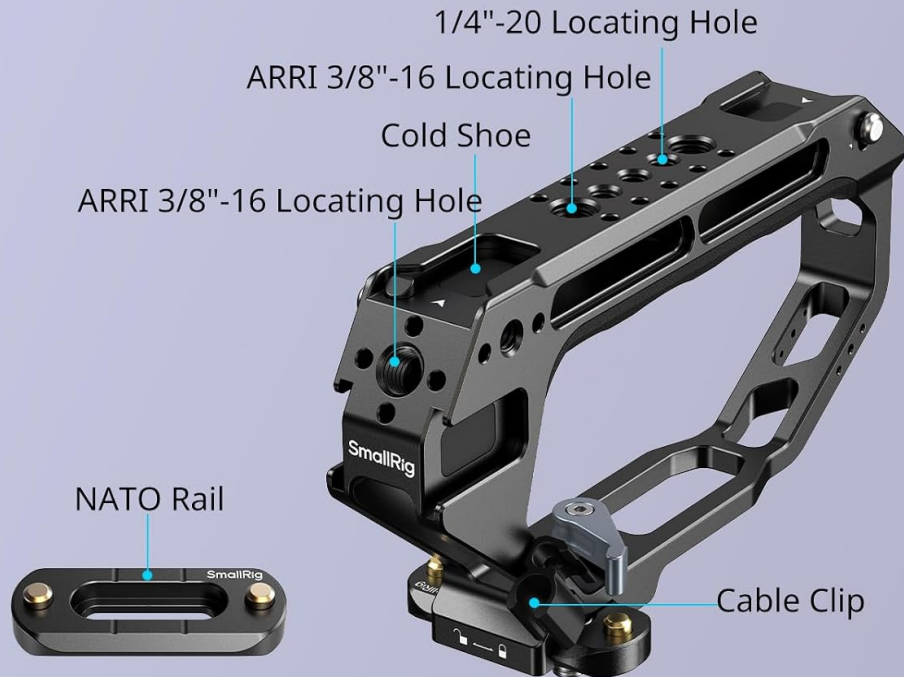
5.2. Mounting Accessories

The handle offers various points for attaching accessories:

- **1/4"-20 Threaded Holes:** Use these standard threads to attach small accessories like monitor mounts, articulating arms, or wireless receivers.
- **ARRI 3/8"-16 Locating Holes:** These holes, with anti-twist pins, are suitable for more robust accessories such as larger monitor mounts or magic arms, preventing rotation.
- **Cold Shoe Mounts:** Attach cold shoe compatible accessories like microphones, LED lights, or wireless microphone receivers.

Seamless Accessory Integration

Provides versatile expansion options to integrate your gear



Monitor Mount
(ID 2903B)



Magic Arm
(ID 4194)

Image: The SmallRig D-Style NATO Rail Top Handle shown with a monitor and microphone attached, demonstrating its versatility for accessory integration.

6. MAINTENANCE

- **Cleaning:** Wipe the handle with a soft, dry cloth to remove dust and debris. For stubborn dirt, use a slightly damp cloth and mild soap, then dry thoroughly. Avoid harsh chemicals or abrasive materials.
- **Inspection:** Regularly check all screws and connections for tightness. Re-tighten with the Allen wrench if necessary.
- **Storage:** Store the handle in a dry, clean environment away from extreme temperatures and direct sunlight when not in use.

7. TROUBLESHOOTING

- **Handle feels loose:** Ensure the quick-release locking knob is fully tightened. Check that the NATO rail is securely attached to your camera cage.
- **Accessories not fitting:** Verify that the accessory's mounting interface (e.g., 1/4"-20 screw, ARRI 3/8"-16 pin, cold shoe) matches the corresponding mounting point on the handle.

- **Difficulty sliding onto NATO rail:** Ensure the quick-release locking knob is sufficiently loosened. Check for any obstructions on the NATO rail or within the clamp mechanism.

8. SPECIFICATIONS

Attribute	Value
Model Number	5661
Product Dimensions	148.0 x 76.0 x 30.3 mm (5.8 x 3.0 x 1.2 inches)
Product Weight	178.0 ± 5.0 g (6.3 ± 0.2 oz)
Material(s)	Aluminum Alloy, Stainless Steel, Silicone
Load Capacity	Up to 15 kg (33.1 lbs)

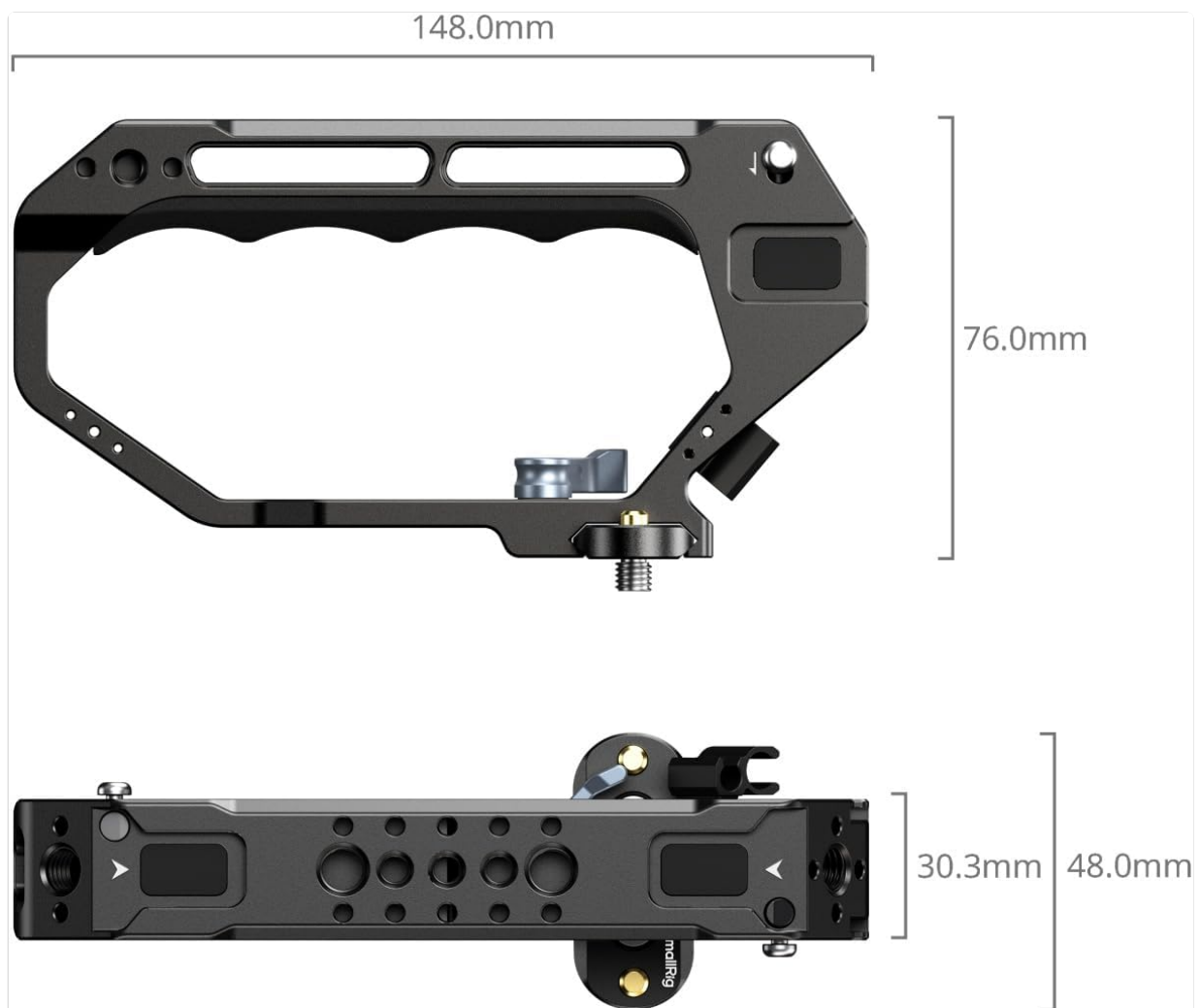


Image: A technical drawing providing precise measurements of the SmallRig D-Style NATO Rail Top Handle.

9. WARRANTY AND SUPPORT

9.1. Warranty Information

This SmallRig product is covered by a **2-Year Warranty** from the date of purchase. This warranty covers manufacturing defects and workmanship under normal use. It does not cover damage caused by misuse,

accidents, unauthorized modifications, or normal wear and tear. Please retain your proof of purchase for warranty claims.

9.2. Customer Support

For technical assistance, warranty claims, or product inquiries, please contact SmallRig customer support through their official website or the retailer from whom you purchased the product. You can find more information and contact details on the [SmallRig Brand Store](#).