

[Manuals.plus](#) /

› [SEDETA](#) /

› SEDETA 59 Inch L Shaped Electric Standing Desk User Manual

SEDETA 59 Inch L Shaped Electric Standing Desk

SEDETA 59 Inch L Shaped Electric Standing Desk User Manual

Model: 59 Inch L Shaped Electric Standing Desk

INTRODUCTION

This manual provides detailed instructions for the assembly, operation, and maintenance of your SEDETA 59 Inch L Shaped Electric Standing Desk. Please read this manual thoroughly before assembly and use to ensure proper function and safety. Keep this manual for future reference.

SAFETY INFORMATION

- Ensure all components are present and undamaged before assembly. Do not use if any parts are missing or broken.
- Assembly should be performed by at least two adults.
- Use appropriate tools for assembly. A power drill with hex bits is recommended for efficiency.
- Keep children and pets away from the desk during operation to prevent injury.
- Do not overload the desk. The maximum weight capacity is 200 lbs (90.7 kg).
- Ensure the power cord is not pinched or damaged during assembly or operation.
- Only use the provided power adapter and cables.
- Avoid placing liquids directly on the desk surface, especially near electrical components.
- Regularly check all screws and connections to ensure they remain tight.

PACKAGE CONTENTS

Verify that all parts listed below are included in your package. If any items are missing or damaged, please contact customer support.

- Desktop Panels (L-shaped sections)
- Desk Legs/Supports (T-shaped design)

- Electric Lifting Mechanism (Motor, Control Box, Handset)
- Monitor Stand Shelf
- Drawers (3 units)
- Built-in Power Strip (3 AC outlets, 2 USB ports)
- RGB LED Lighting Kit (LED strip, remote/app control module)
- Assembly Hardware (Screws, bolts, Allen wrenches, etc.)
- Power Cord (6.6 ft)
- Instruction Manual (This document)

ASSEMBLY INSTRUCTIONS

Follow these steps carefully for proper assembly. It is recommended to have at least two people for assembly.

Step 1: Unpack and Identify Components

Carefully unpack all items and lay them out on a clean, soft surface to prevent scratches. Refer to the package contents list to identify each part.

Product Size

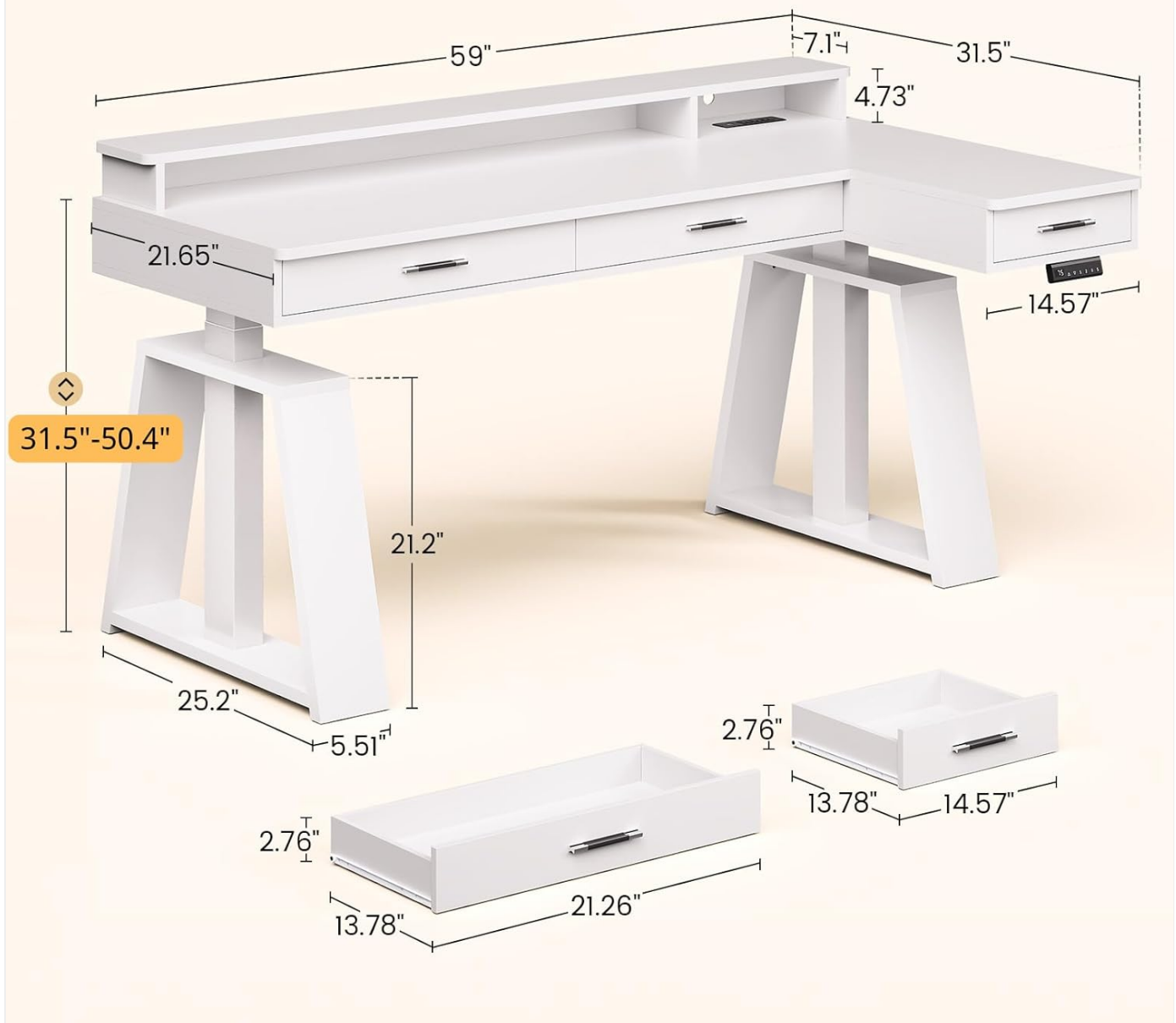


Figure 1: Product Dimensions Overview. This diagram illustrates the overall dimensions of the desk, including the L-shaped configuration, monitor stand, and individual drawer sizes. Key measurements are provided for width, depth, and height ranges.

Step 2: Assemble the Desk Legs and Frame

Attach the T-shaped leg supports to the main desk frame components. Ensure all screws are tightened securely but do not overtighten.

Step 3: Install the Electric Lifting Mechanism

Mount the electric motor and control box according to the detailed diagrams in the included paper manual. Connect the motor to the control box and the control box to the handset. Ensure all cables are routed neatly and securely.

Your browser does not support the video tag.

Video 1: SEDETA L Shaped Standing Desk Overview. This video demonstrates the adjustable height feature of the desk, showing it transitioning between sitting and standing positions. It also highlights the three storage drawers, spacious tabletop, and curved edges for user comfort and safety. The built-in charging station and monitor stand are also briefly showcased.

Step 4: Attach Desktop Panels and Drawers

Secure the L-shaped desktop panels to the assembled frame. Install the three drawers into their designated slots. Ensure smooth operation of the drawers.



Figure 2: Storage Drawers. This image displays the three integrated drawers, highlighting their capacity for organizing various office items such as headphones, books, and small accessories. The drawers contribute to a tidy workspace.

Step 5: Install Monitor Stand and Electrical Components

Place the monitor stand shelf onto the main desktop. Install the built-in power strip and connect the RGB LED lighting kit. Ensure all electrical connections are secure and properly managed.

Built-in Power Outlet



3 AC Outlets
120V/12A



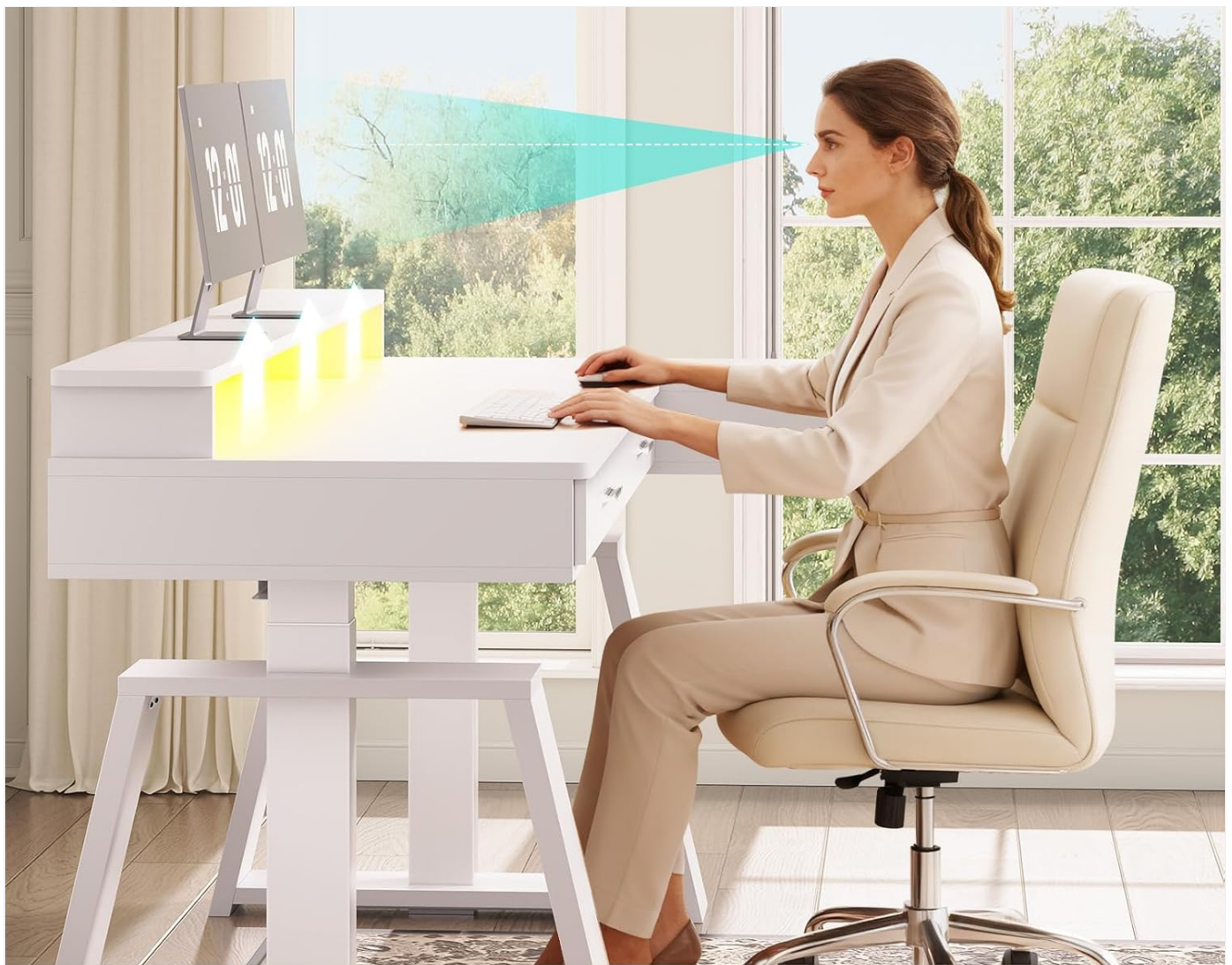
2 USB Ports
5V/2A



Power Cord
6.6 Ft



Figure 3: Built-in Power Outlet. A detailed view of the integrated power strip, featuring three AC outlets and two USB ports. This allows for convenient charging of multiple electronic devices directly from the desk.



Full Size Monitor Stand

keep your posture correct
and reduce neck strain



Ours



Others



Figure 4: Ergonomic Monitor Stand. This image demonstrates the monitor stand's role in promoting correct posture and reducing neck strain by elevating the monitor to an optimal viewing height.



Figure 5: RGB LED Lighting. The image highlights the integrated RGB LED lighting system, which offers a wide range of colors and dynamic modes. The lighting can be controlled via a remote or a smartphone application, enhancing the desk's aesthetic and functional appeal.

OPERATING INSTRUCTIONS

Electric Height Adjustment

The desk features an electric lifting system for seamless height adjustment. The height can be adjusted from 29.5 inches to 46.8 inches.

- **Up/Down Buttons:** Use the arrow buttons on the control panel to manually raise or lower the desk to your desired height.
- **Memory Presets:** The control panel includes 3 customizable height presets (1, 2, 3). To save a height, adjust the desk to the desired position, then press and hold one of the preset buttons until the display flashes or beeps. To recall a saved height, simply press the corresponding preset button.

- **Reset Function (RST):** If the desk encounters an error or does not move smoothly, press and hold the "RST" button until the desk moves to its lowest position and then slightly rises, indicating a successful reset.



Figure 6: Flexible Desk Height. This image illustrates the adjustable height range of the desk, showing a user comfortably seated at 29.5 inches and another standing at 46.8 inches, demonstrating the desk's versatility for different working preferences.

Noise-Free Elevation

Quiet lifts, calm workspace

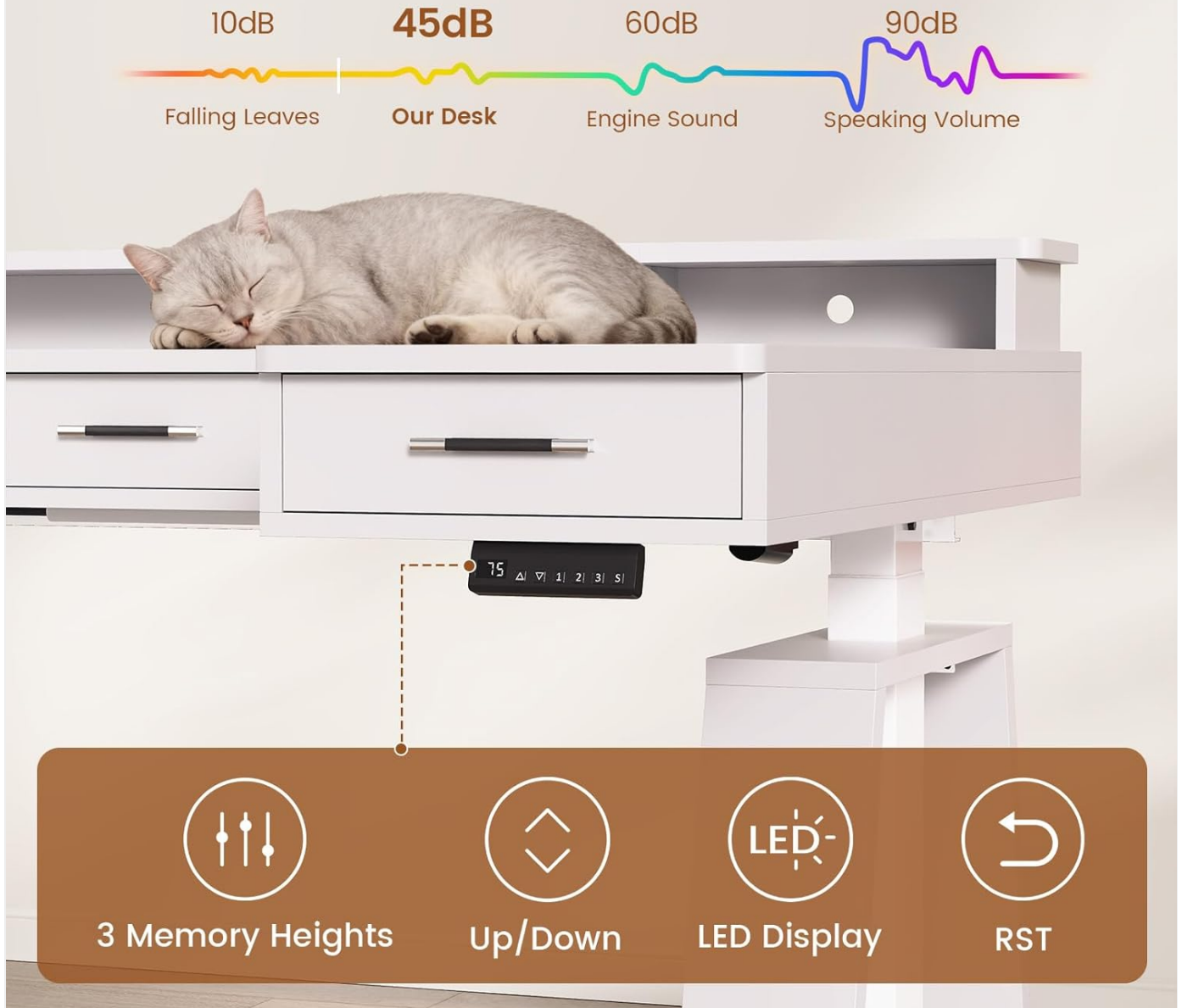


Figure 7: Noise-Free Elevation Control. This image focuses on the desk's control panel, detailing the buttons for three memory heights, up/down adjustments, an LED display, and a reset function. The presence of a sleeping cat suggests the quiet operation of the electric motor, operating at less than 45 dB.

RGB LED Lighting

The integrated RGB LED lighting offers customizable illumination for your workspace.

- **Control:** Use the provided remote control or a compatible smartphone application to manage the LED lights.
- **Features:** Choose from over 60,000 colors and 29 dynamic modes. The lights can also sync to music via the built-in microphone.
- **Timing Function:** Set timers for the lights to turn on or off automatically.

Built-in Power Outlets

The desk includes a built-in power strip with 3 AC outlets (120V/12A) and 2 USB ports (5V/2A) for convenient charging and powering of your devices. The power cord is 6.6 feet long.

Your browser does not support the video tag.

Video 2: SEDETA L Shaped Standing Desk Features. This video showcases various features of the desk, including the electric height adjustment, the three storage drawers, and the built-in power outlets. It also demonstrates the RGB LED lighting and the overall functionality of the desk in a home office setting.

MAINTENANCE

- **Cleaning:** Wipe the desk surface with a soft, damp cloth. Avoid harsh chemicals or abrasive cleaners. The desktop is anti-scratch and waterproof, allowing for easy cleaning of spills.
- **Electrical Components:** Ensure all power outlets and USB ports are free from dust and debris. Do not attempt to repair electrical components yourself.
- **Structural Integrity:** Periodically check all screws and fasteners to ensure they are tight. Re-tighten if necessary.

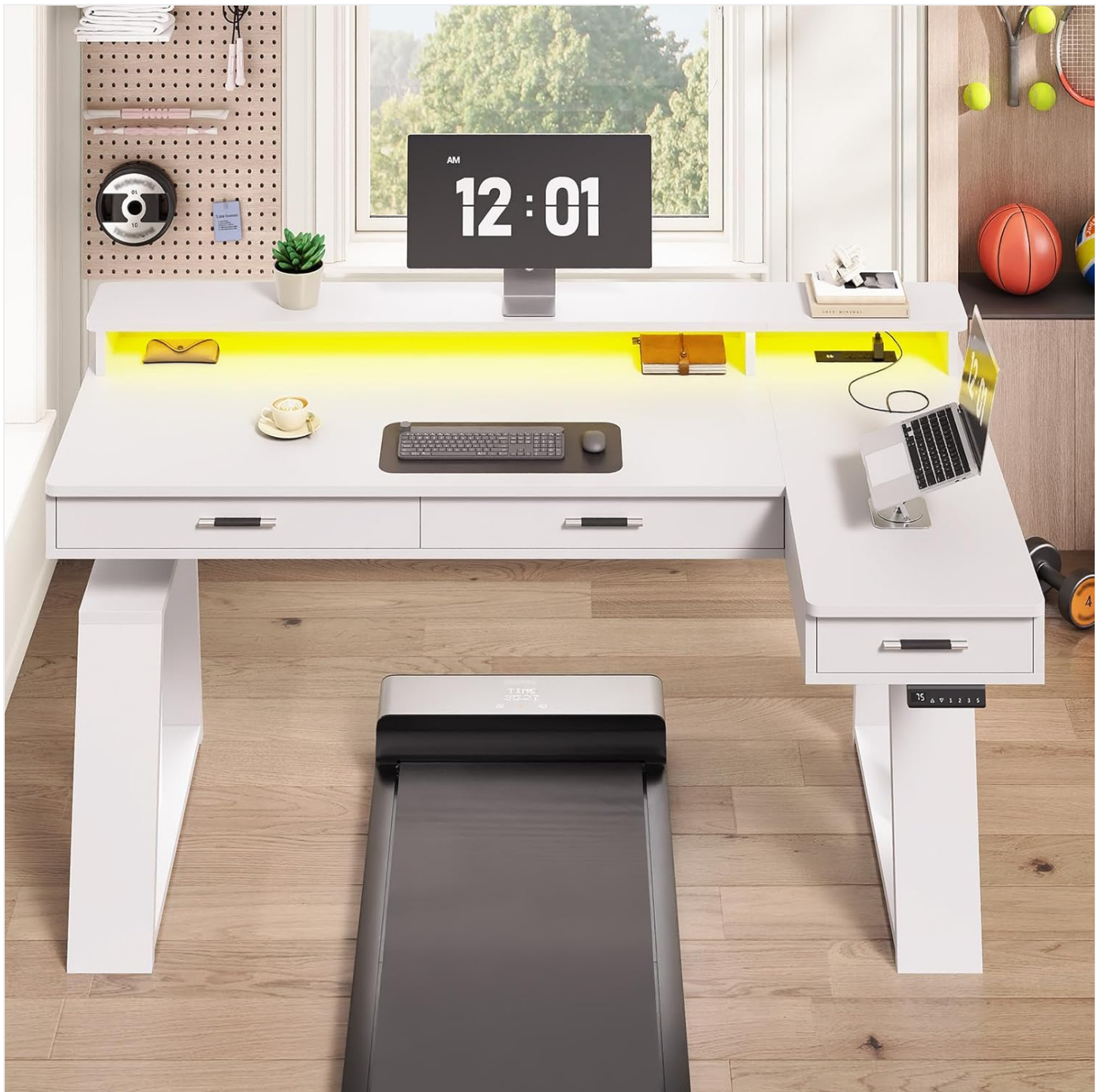


Figure 8: Desktop Durability. This image illustrates the anti-scratch and waterproof properties of the desk's P2 particle board desktop, showing a screwdriver and a wet cloth on the surface, indicating ease of maintenance and resistance to minor damage.

TROUBLESHOOTING

Problem	Possible Cause	Solution
Desk does not move or respond to controls.	Power cable disconnected, motor error, control box issue.	Check if the power cable is securely plugged into the wall outlet and the desk. Press the "RST" button on the control panel to reset the system. If the issue persists, contact customer support.
Desk moves unevenly or makes unusual noises.	Loose connections, obstruction, motor issue.	Ensure all assembly screws are tight. Check for any obstructions under or around the desk legs. Perform a system reset using the "RST" button. If the issue persists, contact customer support.
RGB LED lights are not working.	Loose connection, remote/app issue.	Check the connection of the LED strip to the control module and power source. Ensure the remote control has working batteries or the app is correctly paired.

SPECIFICATIONS

- **Brand:** SEDETA
- **Model:** 59 Inch L Shaped Electric Standing Desk
- **Shape:** L-shaped
- **Product Dimensions (Overall):** 31.5"D x 59"W x 29.5"H (Note: Height is adjustable)
- **Adjustable Height Range:** 29.5" to 46.8"
- **Color:** White
- **Top Material Type:** Engineered Wood (P2 particle board)
- **Base Material:** Engineered Wood, Industrial-grade steel frame
- **Weight Capacity:** Up to 200 lbs
- **Motor Noise Level:** Less than 45 DB
- **Power Outlets:** 3 AC Outlets (120V/12A), 2 USB Ports (5V/2A)
- **Power Cord Length:** 6.6 ft
- **Special Features:** Adjustable Height, 3 Storage Drawers, Monitor Stand, RGB LED Lighting, Built-in Power Outlets, Curved Edges, Anti-Scratch & Waterproof Desktop.
- **Assembly Required:** Yes

WARRANTY AND SUPPORT

SEDETA provides customer support for product inquiries and assistance. If your item arrives damaged, scratched, or with missing parts, please contact SEDETA customer service for a free replacement or partial refund. For further assistance, please refer to the contact information provided with your purchase or visit the official SEDETA website.

For warranty details, please consult the documentation included with your product or contact SEDETA customer support

directly. Keep your proof of purchase for warranty claims.

