



[Manuals.plus](#) /

> [domi outdoor living](#) /

> Domi 8'x10' Wall-Mounted Hardtop Gazebo Pergola Instruction Manual

domi outdoor living 8'x10' Wall-Mounted Hardtop Gazebo Pergola

Domi 8'x10' Wall-Mounted Hardtop Gazebo Pergola Instruction Manual

Model: 8'x10' Wall-Mounted Hardtop Gazebo Pergola

INTRODUCTION

Thank you for choosing the Domi 8'x10' Wall-Mounted Hardtop Gazebo Pergola. This outdoor shelter is designed to extend your living space, providing a durable and weather-resistant retreat. It features a heavy-duty metal frame, a sloped galvanized steel roof with an upgraded drainage system, and a wall-mounted design for secure attachment to your home or other structures. This manual provides essential information for safe assembly, proper operation, and effective maintenance to ensure long-lasting enjoyment of your gazebo.



Image: The Domi 8'x10' Wall-Mounted Hardtop Gazebo Pergola installed against a house, creating an extended outdoor living space.

SAFETY INFORMATION

Please read and understand all safety warnings before assembly and use. Failure to follow these instructions may result in injury or damage to the product.

- Always ensure proper wall and ground anchoring before use. This is critical for stability, especially in windy or stormy conditions.
- Do not exceed the recommended weight limit for the structure.
- Use caution during assembly and disassembly to avoid potential hazards such as pinching or falling parts.
- Keep children and pets away from the assembly area.
- Regularly inspect all connections and anchoring points for tightness and wear.
- Clear snow accumulation from the roof promptly to prevent structural stress.
- Consult the user manual for detailed safety instructions specific to your model.

PRODUCT SPECIFICATIONS

Feature	Detail
Brand	domi outdoor living
Model	8'x10' Wall-Mounted Hardtop Gazebo Pergola
Product Dimensions (L x W x H)	122.44"L x 95.75"W x 92.09"H (approx. 10.2'L x 7.98'W x 7.67'H)
Item Weight	492 Pounds
Frame Material	Aluminum Frame
Roof Material	Galvanized Steel Roof
Water Resistance Level	Waterproof
UV Protection	99% UV-proof, UPF 50+
Assembly Required	Yes
Color	Brown

Outdoor Upgraded 8×10FT Gazebo

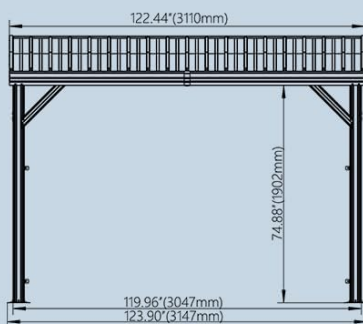
Upgrade your backyard and enjoy the perfect spot for outdoor living!

domi
outdoor living

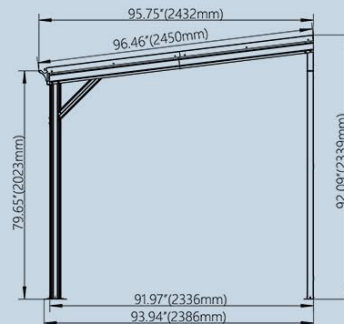


Dimensions

front view



side view



vertical view

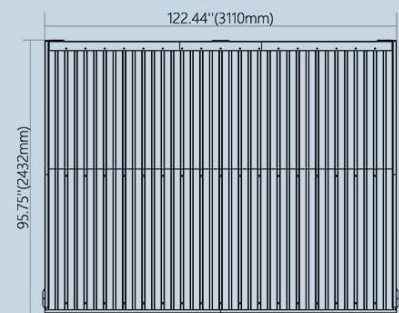


Image: Detailed dimensions of the gazebo, including front, side, and vertical views.

ASSEMBLY INSTRUCTIONS

Assembly of the Domi Wall-Mounted Hardtop Gazebo requires at least two adults. Ensure all parts are present and undamaged before beginning. Refer to the included step-by-step manual and numbered parts for detailed instructions.

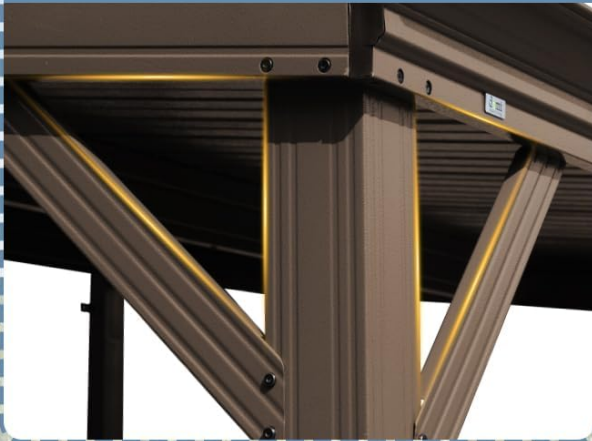
General Steps:

- 1. Unpack and Identify Parts:** Carefully unpack all components and lay them out. Compare them against the parts list provided in your specific manual to ensure everything is accounted for.
- 2. Assemble the Frame:** Begin by assembling the main support frame. Connect the posts and beams using the provided hardware. Ensure all connections are secure but do not fully tighten bolts until the entire frame is upright.
- 3. Attach to Wall:** Position the gazebo frame against the desired wall. Utilize the pre-drilled wall buckles and appropriate wall anchors (not always included, check your specific manual) to securely fasten the gazebo to your home or structure.
- 4. Install Roof Panels:** Carefully attach the galvanized steel roof panels to the frame. The sloped design facilitates water runoff. Ensure panels are correctly aligned and secured to prevent leaks.

5. **Secure Base:** Anchor the gazebo's base to the ground using the pre-drilled holes and included ground stakes or other suitable anchoring methods for your surface. This provides crucial stability.
6. **Final Tightening:** Once the entire structure is assembled and anchored, go back and fully tighten all bolts and connections.

Details Display

Triangle structure



Pre-drilled Durable Base



Pre-drilled wall studs



Reinforced roof



Image: Detailed view of structural components, including triangular supports, pre-drilled base, wall attachment points, and roof reinforcement.

OPERATING INSTRUCTIONS

Your Domi Wall-Mounted Hardtop Gazebo is designed for year-round outdoor use, offering protection from sun, rain, and snow.

- **Weather Protection:** The sloped galvanized steel roof provides superior UV protection in summer and efficiently channels rain and snow away, minimizing accumulation.
- **Drainage System:** The integrated gutter system promotes rapid water runoff, preventing pooling and protecting the structure from moisture damage.
- **Wind and Snow:** While designed for resilience, always ensure the gazebo is properly anchored. In areas with heavy snowfall, it is recommended to clear snow from the roof periodically to prevent excessive load.

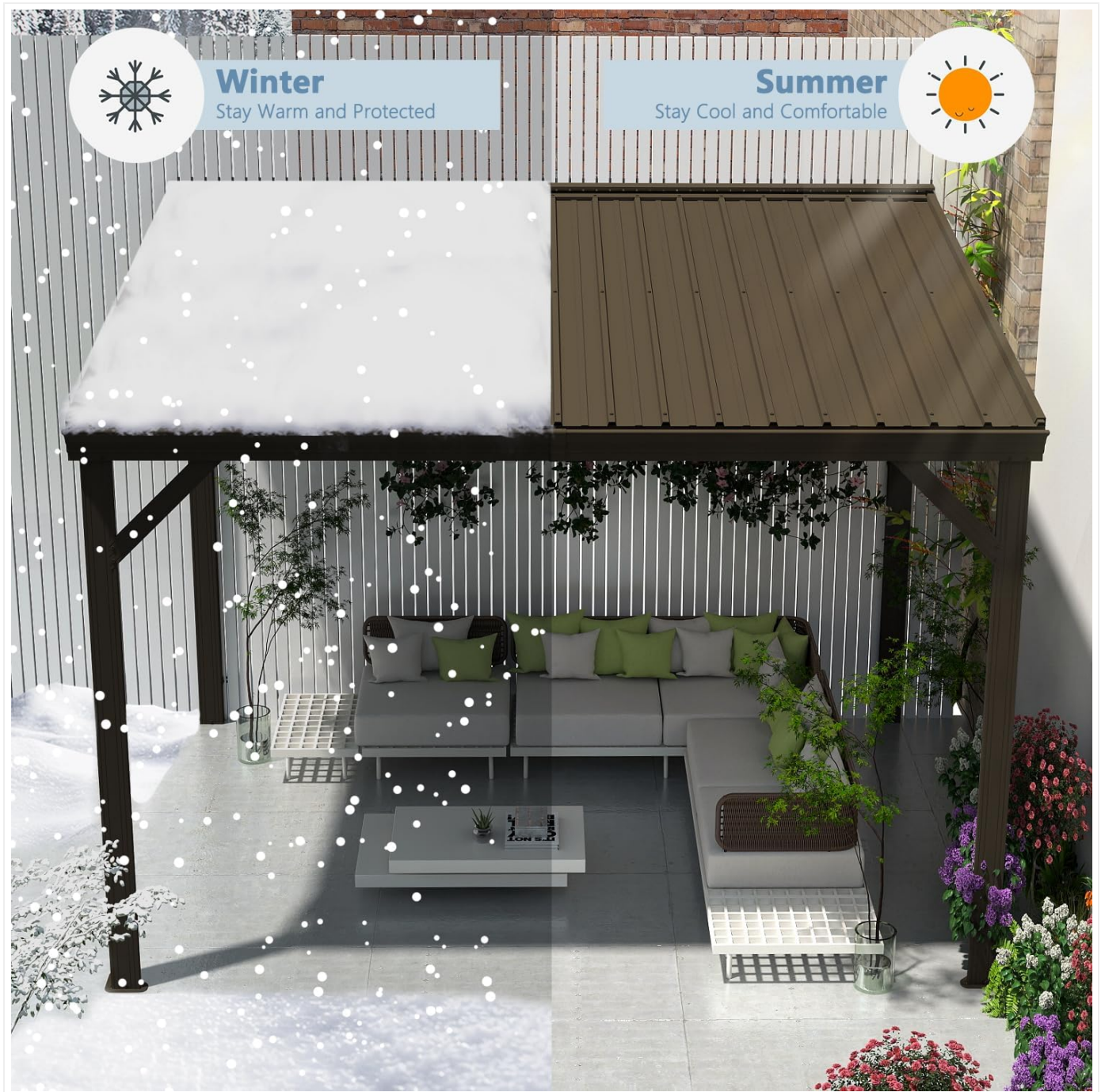


Image: The gazebo providing protection in both winter (snow) and summer (sun).



Image: The upgraded drainage system design, showing effective water runoff from the roof.

MAINTENANCE

Regular maintenance will prolong the life and appearance of your gazebo.

- **Cleaning:** Clean the metal frame and roof panels with a mild soap and water solution. Rinse thoroughly with clean water and dry with a soft cloth to prevent water spots. Avoid abrasive cleaners or harsh chemicals.
- **Inspection:** Periodically check all bolts, screws, and anchoring points to ensure they remain tight and secure. Tighten any loose fasteners.
- **Drainage System:** Keep the gutters and drainage channels clear of leaves, debris, and other obstructions to ensure efficient water runoff.
- **Seasonal Care:** In regions with extreme weather, consider additional winterization steps, such as clearing heavy snow loads promptly.



Image: The premium galvanized steel sloped roof, emphasizing its durability and rust resistance.

TROUBLESHOOTING

If you encounter issues with your gazebo, refer to the following common solutions:

- **Stability Issues:** Ensure all frame connections are fully tightened and that the gazebo is securely anchored to both the wall and the ground. Check for uneven ground surfaces.
- **Water Leaks:** Verify that all roof panels are correctly installed and that all screws are tightened. Inspect the drainage system for any blockages.
- **Missing Parts:** If you find any parts missing during assembly, refer to your parts list and contact customer support immediately.
- **Difficulty Assembling:** Double-check the step-by-step manual. Ensure you are using the correct hardware for each step and that parts are oriented correctly. Do not force components together.

WARRANTY AND SUPPORT

Domi Outdoor Living is committed to providing quality products and customer satisfaction. For any questions regarding assembly, missing parts, or product performance, please contact our dedicated customer service team.

Please have your model number (8'x10' Wall-Mounted Hardtop Gazebo Pergola) and purchase information ready when contacting support.

For further assistance, visit the [domi outdoor living Store on Amazon](#).

