

Roku 55R5D5

Roku Select Series 55-Inch 4K QLED Smart TV User Manual

Model: 55R5D5

1. SETUP

1.1 Unboxing and Package Contents

Carefully remove all items from the packaging. Ensure all components are present before proceeding with installation.

- Roku Select Series 55" 4K TV
- Stands and screws
- Remote Control
- User Manual

There's a Roku device for everyone

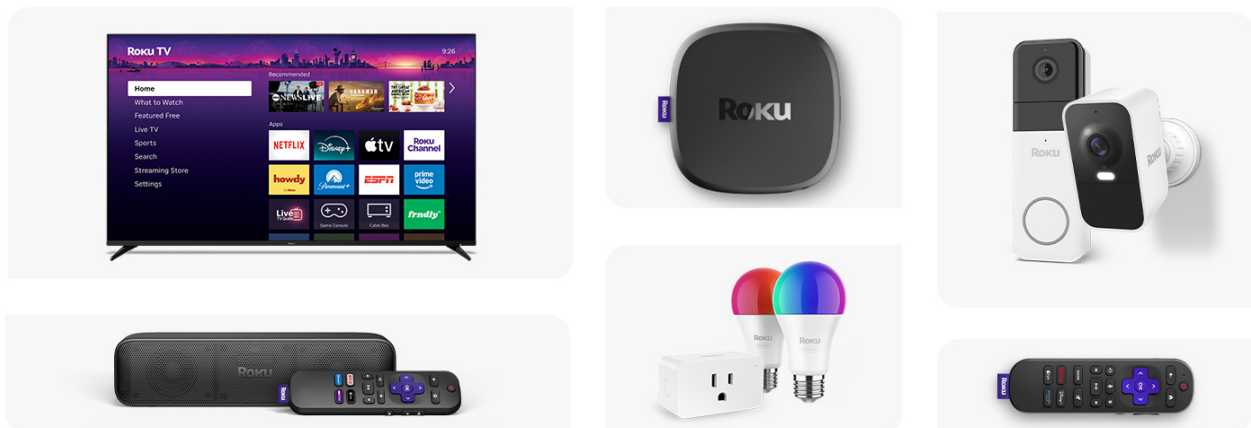


Figure 1: Contents of the Roku Select Series 55-inch TV package.

1.2 Physical Installation

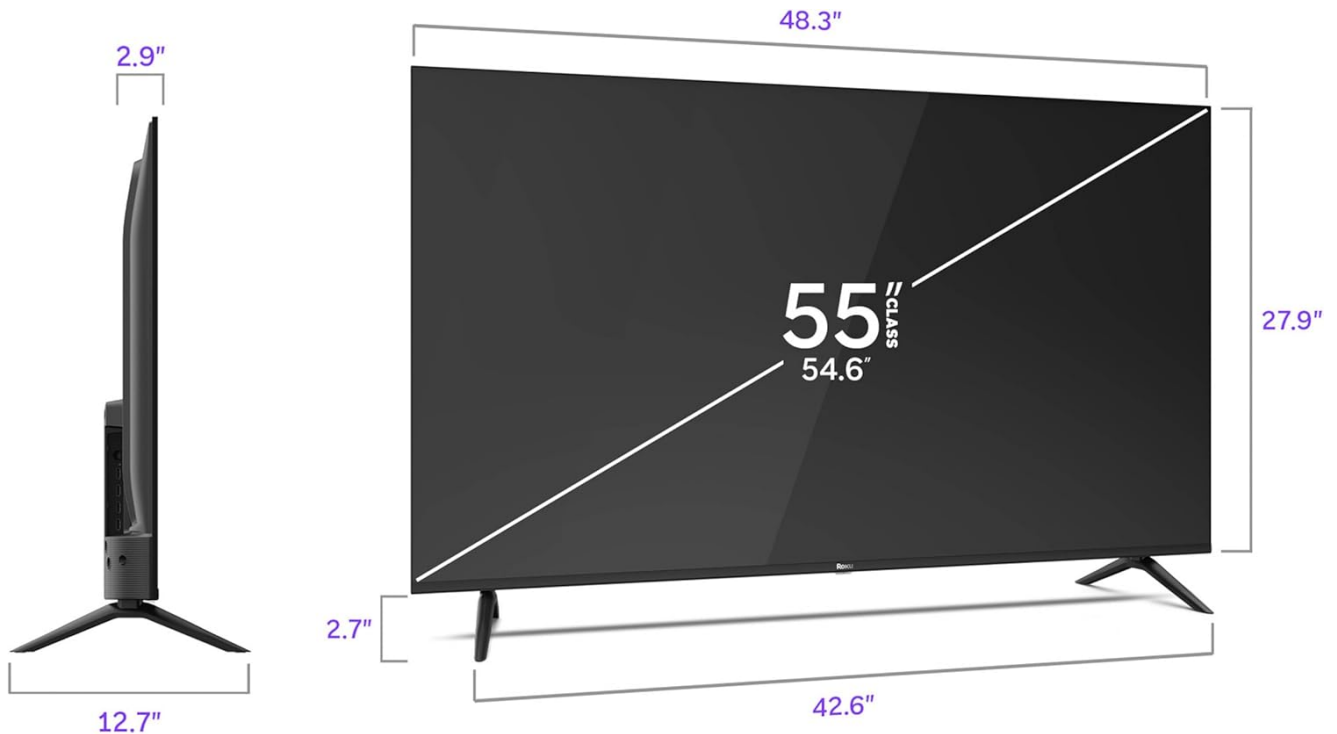
The Roku Select Series TV can be installed using the included stands for table mounting or by using a compatible VESA wall mount (200 x 100 mm, sold separately).

Table Mount Installation:

1. Place the TV screen-down on a soft, clean surface to prevent scratches.
2. Attach the two TV stands to the designated slots on the bottom of the TV using the provided screws. Ensure they are securely fastened.
3. Carefully lift the TV and place it on a stable, level surface.

Wall Mount Installation:

For wall mounting, refer to the instructions provided with your VESA 200 x 100 mm compatible wall mount kit. Ensure the wall can support the weight of the television (approximately 20.1 pounds without stand).



What's in the box

- Roku Select Series 55" 4K QLED TV
- Stands and screws
- Roku Enhanced Voice Remote with batteries
- Quick Start Guide
- TV power cord

Figure 2: TV dimensions and package contents overview.

1.3 Connecting Peripherals

The TV features multiple ports for connecting external devices. Refer to the back panel diagram for port locations.



Figure 3: Rear panel connections including HDMI, USB, and network ports.

- **HDMI Ports (3 total):** Connect gaming consoles, Blu-ray players, soundbars, or other HDMI-enabled devices.
- **USB Port (1 total):** Connect USB storage devices for media playback.
- **Ethernet (LAN) Port:** For a wired internet connection.
- **Antenna/Cable Input:** Connect an antenna for over-the-air broadcasts or a cable TV connection.
- **Optical (S/PDIF) Output:** For digital audio output to a sound system.

1.4 Initial Power-On and Network Connection

1. Connect the power cord to the TV and a power outlet.
2. Press the power button on the remote control to turn on the TV.
3. Follow the on-screen instructions to complete the initial setup, including language selection (English, Spanish, French, Portuguese are supported).
4. Select your preferred network connection:
 - **Wi-Fi:** Choose your Wi-Fi network from the list and enter the password.
 - **Ethernet:** If an Ethernet cable is connected, the TV will automatically attempt to establish a wired

connection.

5. The TV will guide you through linking to a Roku account, which is necessary to access streaming channels and features.

2. OPERATING INSTRUCTIONS

2.1 Remote Control Functions

The included voice remote provides intuitive control over your TV. It operates via Bluetooth, eliminating the need for direct line-of-sight.



App shortcut buttons may vary

Figure 4: Roku Voice Remote layout and key functions.

- **Power Button:** Turns the TV on or off.
- **Directional Pad (OK button in center):** Navigates menus and selects items.

- **Volume Up/Down:** Adjusts TV volume.
- **Mute Button:** Mutes or unmutes TV audio.
- **Voice Button:** Activates voice search and control.
- **Instant Replay:** Jumps back a few seconds in video playback.
- **Live TV Button:** Accesses the live TV channel guide.
- **Quick Launch Buttons:** Dedicated buttons for popular streaming apps (e.g., Netflix, Disney+, Apple TV, Prime Video). These can be customized for your favorite apps.
- **Lost Remote Finder:** If the remote is misplaced, use the Roku mobile app to activate an audible alert from the remote.

2.2 Home Screen Navigation and Streaming

The Roku home screen provides quick access to all your streaming channels, inputs, and settings.

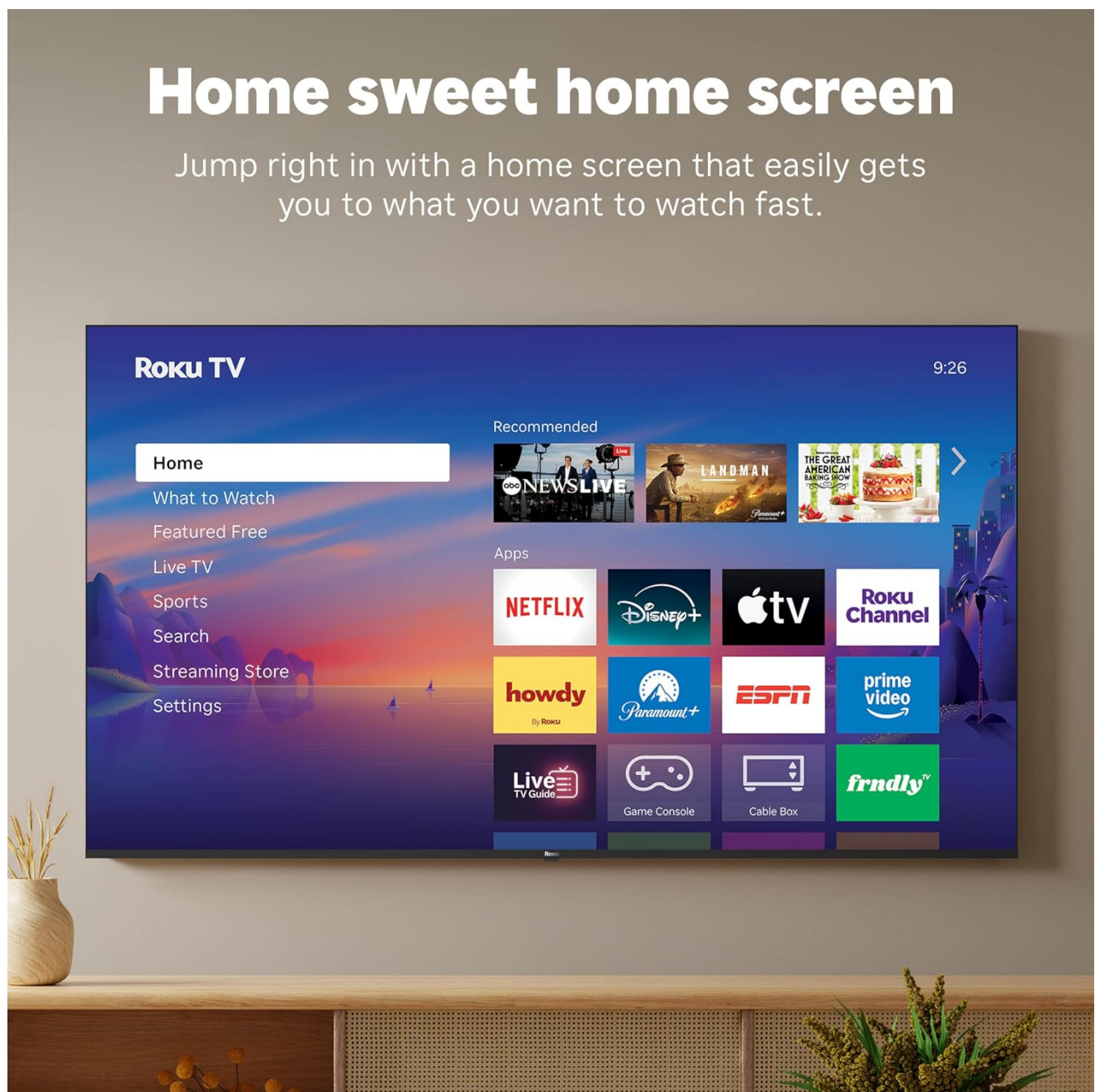


Figure 5: The Roku TV home screen interface.

- Use the directional pad on your remote to navigate through the menu options on the left side of the screen (Home, What to Watch, Live TV, Sports, Search, Streaming Store, Settings).
- Select an app icon from the main grid to launch your desired streaming service.

- The TV's fast Wi-Fi and optimized app launch ensure quick access to entertainment.

2.3 Picture and Sound Settings

The Roku Select Series TV offers advanced picture and sound technologies for an enhanced viewing experience.

- **4K QLED Display:** Provides sharp 4K resolution and accurate colors.
- **HDR10 Support:** Enhances contrast and color depth for compatible content.
- **Roku Smart Picture:** Automatically optimizes incoming TV signals and selects the appropriate picture mode for content.
- **Dolby Audio:** Delivers clear speech and enhanced sound quality through the integrated 2.1 channel speakers (20 Watts maximum output power).
- **Bluetooth Headphone Mode:** Connect Bluetooth headphones for private listening without disturbing others.

2.4 Voice Control and Smart Home Integration

Control your TV and integrate it into your smart home ecosystem.

A perfect fit for any smart home

Sports
Search
Streaming Store
Settings

"Alexa, show me comedies on living room Roku."

Works with **Roku Smart Home** | Works with **Apple AirPlay** | Works with **Apple Home** | works with **alexa** | works with **Google Home**

Roku, the Roku logo, Roku Smart Home, and the Roku Smart Home logo are the trademarks or registered trademarks of Roku, Inc. Only supports English language. Apple, Apple Home, AirPlay, and Siri are trademarks of Apple Inc., registered in the U.S. and other countries and regions. The Works with Apple Home badge is a trademark of Apple Inc. Amazon, Alexa and all related logos are trademarks of Amazon.com, Inc. or its affiliates. Alexa enabled device is required to work with Alexa. Google and Google Home are trademarks of Google LLC. Third party features and services may be subject to change or removal without notice.

Figure 6: Roku TV's smart home compatibility.

- **Roku Voice:** Use the voice button on your remote to search for content, launch apps, or control playback.
- **Smart Assistant Compatibility:** The TV is compatible with Siri, Alexa, and Google Assistant for voice control through external smart devices.
- **Apple AirPlay:** Share videos, photos, music, and more from your Apple devices directly to your TV.

2.5 Live TV Access

Access live television channels directly from the home screen.

Unbelievably free live TV

Enjoy and easily search through 500+ TV channels with live news and weather, sports coverage, and more—totally free.

abc NEWS LIVE

ROKU ORIGINAL THE GREAT AMERICAN BAKING SHOW

ROKU ORIGINAL MORIMOTO'S SUSHI MASTER

24/7 streaming channels

Figure 7: Live TV channel guide interface.

- Connect an antenna to the TV's Antenna/Cable input.
- Use the 'Live TV' option on the home screen or the dedicated button on the remote to access the channel guide.
- The TV supports ATSC tuner type for digital broadcasts.

3. MAINTENANCE

3.1 Cleaning the TV

- Always unplug the TV before cleaning.
- Use a soft, dry, lint-free cloth to gently wipe the screen and cabinet.
- For stubborn marks, lightly dampen the cloth with water or a mild, non-abrasive screen cleaner. Do not spray cleaner directly onto the screen.
- Avoid using harsh chemicals, abrasive pads, or solvents as they can damage the TV's finish.

3.2 Software Updates

The Roku TV receives automatic software updates to provide new features and improvements. Ensure your TV is connected to the internet to receive these updates.

4. TROUBLESHOOTING

If you encounter issues with your Roku TV, consider the following basic troubleshooting steps:

- **No Power:** Ensure the power cord is securely plugged into both the TV and a working electrical outlet. Try a different outlet.
- **No Picture/Sound:** Verify that the correct input source is selected. Check all cable connections (HDMI, antenna, etc.) for looseness.
- **Remote Not Responding:** Replace the AAA batteries in the remote control. Ensure there are no obstructions between the remote and the TV (though Bluetooth reduces this issue). Re-pair the remote if necessary (refer to Roku support documentation).
- **Network Connection Issues:** Go to **Settings > Network > Check connection** to diagnose network problems. Restart your router and modem.
- **App Not Loading/Crashing:** Try restarting the app. If the issue persists, remove the app and reinstall it from the Streaming Store.
- **Poor Picture Quality:** Check your internet speed for streaming content. For broadcast TV, adjust your antenna. Ensure the TV's picture settings are appropriate for the content being viewed.

For more detailed troubleshooting or persistent issues, visit the Roku support website or consult the full User Manual PDF available online.

5. SPECIFICATIONS

Feature	Detail
Model Name	Roku 55" Select Series 4K
Model Number	55R5D5
Screen Size	55 Inches
Display Technology	4K UHD, LED, QLED
Resolution	4K (3840 x 2160)
Refresh Rate	60 Hz
HDR Format Supported	HDR10, HDR10+, HLG
Picture Quality Enhancement	4K, Roku Smart Picture

Feature	Detail
Audio Output Power	20 Watts
Integrated Surround Sound	Dolby Audio
Connectivity Technology	Bluetooth, Ethernet, USB C, Wi-Fi
HDMI Ports	3
USB Ports	1
Operating System	Roku OS
Voice Control	Roku Voice, Siri, Alexa, Google Assistant
Screen Mirroring	AirPlay 2, Miracast
Product Dimensions (D x W x H)	12.7"D x 48.3"W x 30.5"H
Item Weight	20.5 Pounds
VESA Mount Standard	200 x 100 mm
Power Consumption	160 watts
UPC	829610009322

6. WARRANTY AND SUPPORT

6.1 Limited Warranty

Roku warrants the hardware of this device against defects in materials and workmanship under normal use for a period of **one (1) year** from the date of purchase ("Warranty Period"), provided it is used in accordance with the provided documentation.

If Roku determines that the device's hardware is defective during the Warranty Period, Roku's sole obligation, and your exclusive remedy, will be to either repair or replace the unit with either a new or rebuilt device, at its option.

Important information about warranty returns and replacements is available on the Roku support site.

6.2 Product Returns

You may return a device for any reason, subject to the terms of the applicable return policy:

- Within thirty (30) days from the date of purchase from Roku.
- Within the applicable return period if purchased from an authorized reseller or distributor.

Additional details regarding product returns can be found on the Roku support site.

6.3 Additional Support

For further assistance, including detailed guides and FAQs, please refer to the official Roku support website. A downloadable PDF version of the User Manual is also available for reference: [User Manual \(PDF\)](#).

