



Manuals.plus /

› Feandrea /

› Feandrea Elevated Dog Bowl Stand UPRB103GD01 Instruction Manual

Feandrea UPRB103GD01

Feandrea Elevated Dog Bowl Stand UPRB103GD01 Instruction Manual

Model: UPRB103GD01

PRODUCT OVERVIEW

The Feandrea Elevated Dog Bowl Stand, Model UPRB103GD01, is designed to provide a comfortable and healthy feeding experience for your pets. This stand features adjustable height settings, a tilted design to reduce strain on joints, and a splash guard to maintain cleanliness. It includes two 304 stainless steel bowls and one slow feeder bowl, all of which are dishwasher-safe for easy cleaning. The stand is also foldable for convenient storage and transport, and equipped with non-slip foot pads for stability.



Image: The Feandrea Elevated Dog Bowl Stand in Dove Gray, shown with a Golden Retriever using it comfortably.

SETUP INSTRUCTIONS

Follow these steps to assemble your Feandrea Elevated Dog Bowl Stand:

- 1. Unfold the Legs:** Carefully unfold the legs of the stand and press the crossbars firmly into place until they lock.
- 2. Secure the Splash Guard:** Attach the splash guard to the main body of the stand using the provided 4 rivets. Ensure it is securely fastened.
- 3. Place the Bowls:** Insert the two stainless steel bowls and the slow feeder bowl into their designated slots on the stand.
- 4. Adjust Height:** Select the appropriate height for your pet by adjusting the legs. The stand offers 6 height options: 3.1", 8.7", 9.4", 10.2", 11", and 11.8". Ensure all four legs are set to the same height for stability.

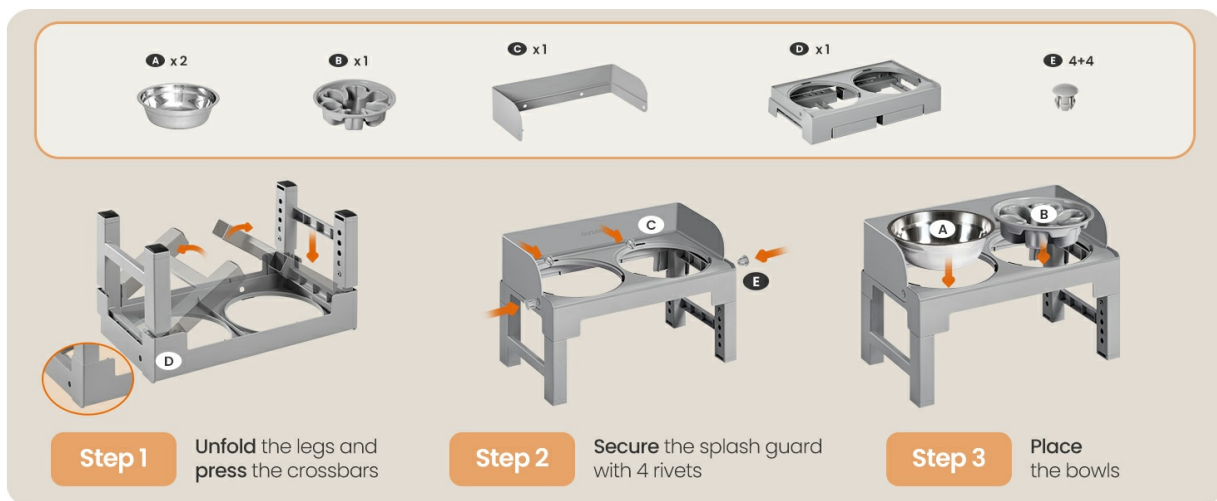


Image: Visual guide demonstrating the three-step assembly process: unfolding legs, securing the splash guard, and placing the bowls.

Included Components:

- 1 x Elevated Dog Bowl Stand
- 2 x 304 Stainless Steel Dog Bowls
- 1 x Slow Feeder Bowl
- 1 x Accessory Kit (including rivets)

OPERATING INSTRUCTIONS

Adjusting Height

The stand offers six height options to accommodate various pet sizes. To adjust the height, locate the adjustment pins on each leg. Press the pins inward and slide the legs up or down to the desired height. Ensure all four legs are adjusted to the same level for stability. The available heights are 3.1", 8.7", 9.4", 10.2", 11", and 11.8".

6 Height Options

Fit different types and sizes of dogs and cats

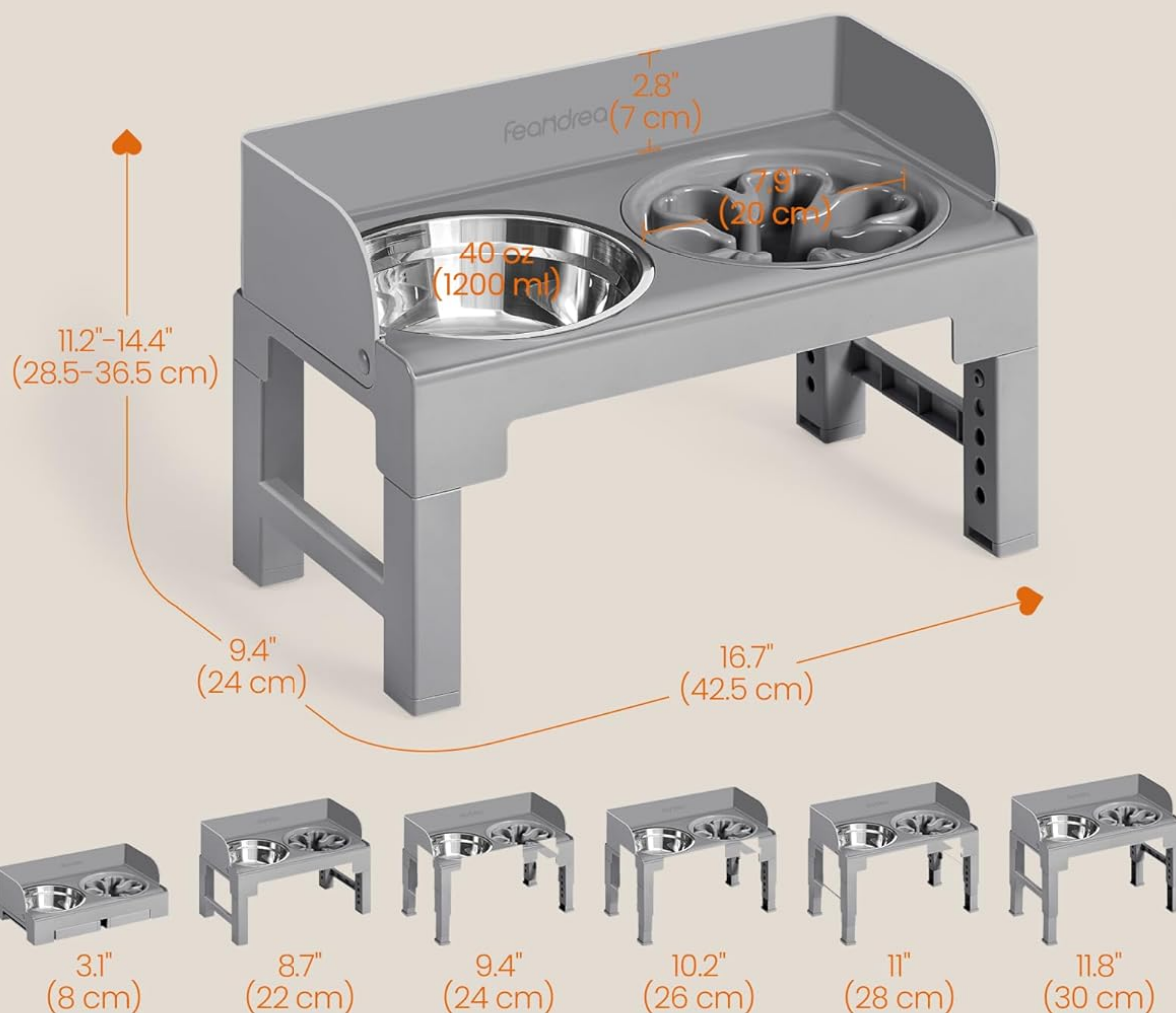


Image: A visual representation of the six adjustable height settings for the elevated dog bowl stand, suitable for different pet sizes.

Utilizing the Tilted Design

The stand features a 5-10° tilted design, achieved by raising the rear legs 1-2 steps higher than the front legs. This ergonomic angle helps relieve pressure on your pet's joints and promotes a more comfortable eating posture. Adjust the tilt as needed based on your pet's comfort.

Joint-Friendly Tilted Design

Promotes a healthy and comfortable feeding posture



Note: The ideal tilt angle is 5–10°, with the rear legs raised 1–2 steps higher than the front legs

Image: A Golden Retriever demonstrating the use of the tilted elevated dog bowl stand, highlighting the comfortable feeding posture.

Using the Bowls

The stand comes with two 304 stainless steel bowls for water and regular food, and one slow feeder bowl designed to promote slower eating and better digestion. You can interchange these bowls as needed. The 2.8" high splash guard helps contain food and water spills, keeping your feeding area clean.

Splash Guard

Prevents water and food from spilling onto the floor

Others



Image: Close-up view of the elevated dog bowl stand, showcasing the integrated 2.8-inch high splash guard designed to prevent spills.



Image: Detailed views of the slow feeder bowl (left) and a standard stainless steel bowl (right), highlighting their design and utility.

MAINTENANCE

Cleaning the Bowls

The two 304 stainless steel bowls and the slow feeder bowl are dishwasher-safe. For best results and hygiene, clean them regularly after each use.

Cleaning the Stand

The stand itself is made of PP (Polypropylene) plastic. It should be cleaned by hand only. Use a damp cloth with mild soap and water to wipe down the surfaces. Avoid abrasive cleaners or harsh chemicals that could damage the material.

Combine as Needed

- Two 304 stainless steel bowls for hygienic and durable use
- One slow feeder bowl for good digestion



Image: A person placing the stainless steel and slow feeder bowls into a dishwasher, illustrating their dishwasher-safe feature.



Image: Water being poured over the bowls and the stand, demonstrating the ease of cleaning.

TROUBLESHOOTING

- **Stand is unstable:** Ensure all four legs are fully extended and locked into the same height setting. Check that the crossbars are securely pressed into place. Verify the non-slip foot pads are intact and making full contact with the floor.
- **Bowls do not fit properly:** Ensure you are using the correct bowls provided with the stand. The stainless steel bowls and slow feeder bowl are designed to fit snugly.
- **Difficulty folding the stand:** To fold the legs, first pull them upwards slightly to disengage the locking mechanism, then fold them inward. Do not force the legs if they resist.
- **Pet refuses to use the elevated bowls:** Allow your pet time to adjust to the new feeding height. You may start with a lower setting and gradually increase it. Ensure the bowls are clean and filled with familiar food/water.

SPECIFICATIONS

Feature	Detail
Model Number	UPRB103GD01
Product Dimensions (L x W x H)	16.7" x 9.4" x 14.4"
Item Weight	3.1 Pounds
Material	PP (Polypropylene) Plastic, 304 Stainless Steel
Color	Dove Gray
Adjustable Height Options	3.1", 8.7", 9.4", 10.2", 11", 11.8"
Splash Guard Height	2.8" (7 cm)
Tilted Design Angle	5-10° (rear legs raised)
Included Bowls	2 x Stainless Steel, 1 x Slow Feeder
Bowl Care	Dishwasher-safe
Stand Care	Hand Wash Only
Special Features	Foldable, Non-slip Foot Pads
Target Species	Dog (suitable for Large, Medium, Small breeds)

WARRANTY INFORMATION

Specific warranty details for the Feandrea Elevated Dog Bowl Stand UPRB103GD01 are not provided in this manual. For information regarding product warranty, please refer to the product packaging or contact Feandrea customer support directly. Keep your purchase receipt as proof of purchase.

CUSTOMER SUPPORT

If you have any questions, concerns, or require assistance with your Feandrea Elevated Dog Bowl Stand,

please contact Feandrea customer service. Contact information can typically be found on the product packaging, the official Feandrea website, or through the retailer where the product was purchased.