



[Manuals.plus](#) /

> [Olakids](#) /

> OLAKIDS 24V 9AH Ride on Tractor with Detachable Trailer Instruction Manual

## Olakids TQ10423

# OLAKIDS 24V 9AH Ride on Tractor with Detachable Trailer Instruction Manual

Model: TQ10423

## INTRODUCTION

---

This manual provides essential information for the safe assembly, operation, and maintenance of your OLAKIDS 24V 9AH Ride on Tractor with Detachable Trailer. Please read all instructions carefully before use and retain this manual for future reference.

# Enjoy the Joy of Shipping with Friends



Image: The OLAKIDS 24V 9AH Ride on Tractor with Detachable Trailer, showcasing its overall design and functionality.

## SAFETY INFORMATION

---

Adherence to the following safety guidelines is crucial for preventing injury and ensuring safe operation:

- Keep the ride-on tractor away from open flames and heat sources.
- Always supervise children during operation.
- Ensure the seat belt is securely fastened before each use.
- The vehicle features a slow start function to prevent sudden acceleration.
- This product complies with US CPSIA and ASTM safety standards. It is made from non-toxic materials, free from BPA, PVC, Phthalates, Lead, Latex, or Formaldehyde.
- The design incorporates no sharp points or edges and has passed stability, asphyxiation, load, and shear tests.
- Maximum weight capacity is 66 lbs (30 kg).
- Recommended age for use is 18 months to 5 years.

## PACKAGE CONTENTS

---

Verify that all components are present before beginning assembly:

- OLAKIDS 24V Ride on Tractor main body
- Detachable Trailer with Fence
- Remote Control unit
- 24V 9AH Rechargeable Battery
- Charger
- Assembly hardware (screws, nuts, etc.)
- Instruction Manual

## SETUP AND ASSEMBLY

---

Assembly is required. Follow these steps carefully:

1. Remove all components from the packaging.
2. **Initial Battery Charge:** Ensure the 24V 9AH battery is fully charged before the first use. Refer to the charging section for details.
3. **Assemble the Detachable Trailer:** Attach the trailer to the main tractor body using the provided connection screw. Ensure it is securely fastened.
4. Connect any remaining electrical components as per the detailed diagrams in the separate assembly guide (if provided).
5. Verify all wheels are properly attached and secured.

# Detachable Trailer with Fence



Image: Illustration of the detachable trailer and its connection point to the tractor, highlighting the connection screw.

## OPERATING INSTRUCTIONS

The tractor can be operated manually by the child or remotely by a parent.

### Manual Operation (Child Control)

1. Place the ride-on tractor on a flat, stable surface.
2. Assist the child onto the tractor and secure the seat belt.
3. Instruct the child on using the steering wheel for direction and the foot pedal for acceleration.
4. The slow start feature ensures a gradual increase in speed.
5. Always supervise the child during manual operation.

### Remote Control Operation (Parent Control)

The remote control allows parents to guide the vehicle and ensure safety.

- The remote mode can override manual operation at any time.
- Use the remote to control forward, reverse, left, and right movements.
- Press the emergency brake button "P" on the remote to immediately stop the vehicle.
- The remote may offer high/low speed settings.



Image: A child operating the tractor while a parent uses the remote control, illustrating the remote's functions including high/low speeds and emergency brake.

## Safety Features

- **Slow Start Function:** This feature prevents sudden acceleration, ensuring a smooth and safe start for the child.

## Soft Start Function

Avoid the dangers  
of sudden acceleration

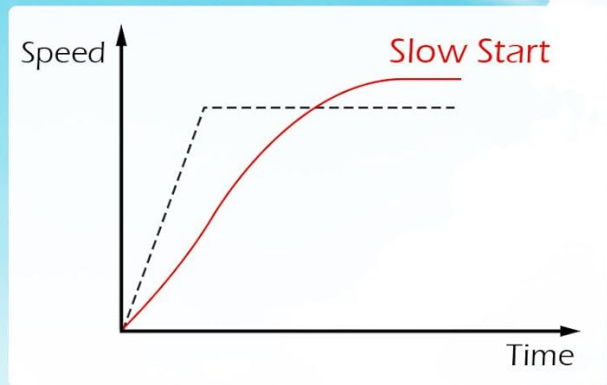


Image: A diagram illustrating the 'Slow Start Function' where speed gradually increases over time, avoiding abrupt acceleration.

### Additional Features

- **Detachable Trailer:** The trailer can be easily attached or removed, allowing for versatile play. It can be used to transport light items like sand, leaves, or toys.
- **Entertainment System:** The vehicle includes a realistic horn, built-in music, MP3 input, and story mode for an engaging driving experience. Connect a USB device for additional audio options.
- **Wear-Resistant Wheels:** The 6 upgraded EVA tires provide superior grip and shock absorption, suitable for various surfaces including asphalt, cement, wood, and brick.

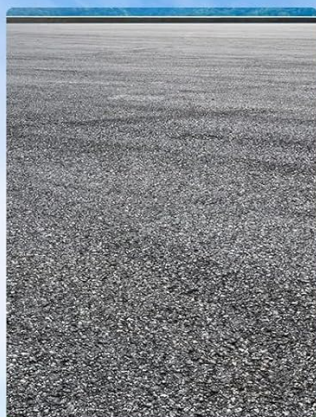
# Multiple Functions for Driving Fun



Image: The tractor displaying icons for music, MP3, story mode, and horn, indicating its entertainment features.

# Wear-resistant Wheels

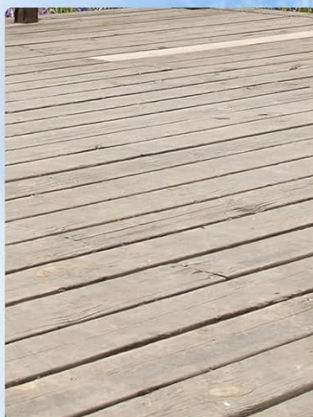
Suitable for Various Road Surfaces



Asphalt



Cement



Wood



Brick



Image: The tractor's wear-resistant wheels are shown on different surfaces: asphalt, cement, wood, and brick, demonstrating their versatility.

## BATTERY CHARGING AND CARE

Proper battery care ensures optimal performance and longevity.

- **Charging Time:** The 24V 9AH battery requires 8-12 hours for a full charge.
- **Playing Time:** A fully charged battery provides approximately 60 minutes of continuous play.
- Use only the charger supplied with the product.
- Do not overcharge the battery. Disconnect the charger once charging is complete.
- Store the battery in a cool, dry place when not in use.
- If the tractor will not be used for an extended period, charge the battery fully every 3 months to maintain its health.

# 24V 9AH Battery for Longer Run Time



Charging Time:  
8-12 H



Playing Time:  
60 Minutes



Max Speed:  
3.7 Mph



Image: Visual representation of the 24V 9AH battery, indicating a charging time of 8-12 hours, playing time of 60 minutes, and a maximum speed of 3.7 mph.

## MAINTENANCE

---

Regular maintenance helps prolong the life of your ride-on tractor.

- **Cleaning:** Wipe the tractor with a damp cloth. Do not use harsh chemicals or abrasive cleaners. Avoid spraying water directly onto electrical components.
- **Storage:** Store the ride-on tractor in a cool, dry place, away from direct sunlight and moisture.
- **Battery:** Follow battery charging and care instructions.
- **Inspections:** Periodically check all screws, nuts, and connections to ensure they are tight. Inspect wheels and tires for wear or damage.

## TROUBLESHOOTING

---

If you encounter issues, refer to the following common problems and solutions:

Problem	Possible Cause	Solution
Tractor does not move	Battery is low or not charged. Power switch is off. Loose wire connection. Overload protection activated.	Charge the battery fully. Turn the power switch ON. Check all electrical connections. Reduce load; allow motor to cool.
Remote control not working	Remote batteries are dead. Remote not paired with tractor.	Replace remote control batteries. Refer to remote pairing instructions (if applicable, usually in a separate remote manual).
Tractor moves slowly	Low battery charge. Overloaded vehicle. Operating on rough terrain.	Recharge the battery. Reduce weight on the tractor/trailer. Operate on smoother surfaces.
No sound from entertainment system	Volume is too low. MP3/USB device not connected properly.	Increase volume. Ensure MP3/USB device is correctly inserted and functioning.

## SPECIFICATIONS

Feature	Detail
Model Number	TQ10423
Product Dimensions (L x W x H)	155 cm x 69 cm x 64 cm (61" x 27" x 25")
Item Weight	21.77 kg (48 lbs)
Maximum Weight Capacity	66 lbs (30 kg)
Recommended Age	18 months - 5 years
Battery	24V 9AH Rechargeable
Motors	2 x 550W
Charging Time	8-12 Hours
Playing Time	Approx. 60 Minutes
Max Speed	3.7 mph
Material	Iron, Polypropylene
Assembly Required	Yes
Country of Origin	China

# Product Dimension



Weight Capacity: 66 Lbs



Suitable Age: 3+ Years

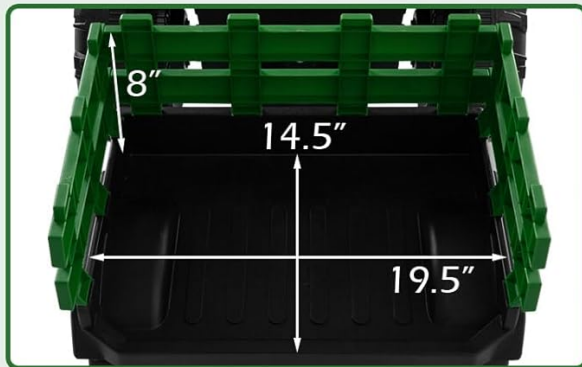


Image: A diagram illustrating the key dimensions of the OLAKIDS Ride on Tractor and its detachable trailer, along with weight capacity and suitable age.

## WARRANTY INFORMATION

Specific warranty details for the OLAKIDS 24V 9AH Ride on Tractor are not provided in this manual. Please refer to the product packaging, the retailer's purchase policy, or the manufacturer's official website for comprehensive warranty information.

## CUSTOMER SUPPORT

For technical assistance, replacement parts, or further inquiries, please contact OLAKIDS customer support through their official website or the contact information provided with your purchase. Ensure you have your model number (TQ10423) and purchase details ready when contacting support.

