

[Manuals.plus](#) /

> [HOSTACK](#) /

> HOSTACK 47.2" Buffet Cabinet with Storage (Model B0FX9LF6QP) Instruction Manual

## HOSTACK B0FX9LF6QP

# HOSTACK 47.2" Buffet Cabinet with Storage (Model B0FX9LF6QP) Instruction Manual

Brand: HOSTACK

## INTRODUCTION

This manual provides comprehensive instructions for the assembly, operation, maintenance, and troubleshooting of your HOSTACK 47.2" Buffet Cabinet with Storage. Please read all instructions carefully before beginning assembly and retain this manual for future reference.



## SETUP AND ASSEMBLY

The HOSTACK Buffet Cabinet is designed for straightforward assembly. All necessary parts are labeled, and detailed instructions are included in the packaging. Assembly typically requires approximately 2.5 hours with two individuals. For optimal results, consider the following tips:

- **Review Instructions:** Carefully read all steps and examine diagrams before starting.
- **Organize Parts:** Lay out all labeled parts and hardware to ensure everything is present and easily accessible.
- **Use a Drill (Optional):** While hand tools are sufficient, a power drill can expedite the process of screwing components together. Exercise caution to avoid overtightening.
- **Door Alignment:** When installing the barn-style doors, ensure proper alignment. An extra pair of hands can be beneficial for this step.
- **Magnet Installation:** Pay close attention to the installation of the door magnets. Incorrect placement may prevent the doors from securely closing.



Image 2: Detailed diagram showing the dimensions of the buffet cabinet, including overall width (47.2 inches), height (31.9 inches), and depth (15.7 inches), along

with internal drawer and shelf measurements.

## OPERATING INSTRUCTIONS

---

Your HOSTACK Buffet Cabinet offers versatile storage solutions for various household needs. It features two smooth-gliding drawers and two side cupboards with adjustable shelves, providing ample space for organization.

### Storage Features:

- **Drawers:** Two top drawers are ideal for classified storage of smaller items such as cutlery, napkins, or office supplies.
- **Side Cupboards:** Two barn-door style cupboards provide concealed storage for larger items like pots, pans, dishes, or linens. Each cupboard contains an adjustable shelf to customize storage space.
- **Open Area:** The spacious top surface can accommodate appliances like toasters, coffee makers, or serve as a display area.

### Multi-functional Use:

This cabinet is suitable for various rooms and purposes:

- **Kitchen:** Organize utensils, small appliances, and pantry items.
- **Dining Room:** Store dinnerware, serving dishes, or use as a buffet server.
- **Living Room:** Function as a TV cabinet, media console, or general storage.
- **Entryway:** Store outdoor items, keys, or display decorative pieces.



## MAX WEIGHT CAPACITY



Counter Space: **300lbs**

Shelf: **44lbs**

Drawer: **22lbs**

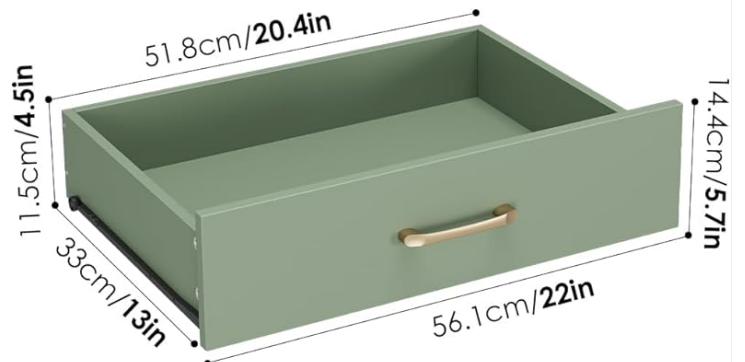


Image 3: The buffet cabinet positioned in a kitchen setting, serving as a coffee bar station with a coffee machine and various coffee accessories on its top surface.



Image 4: Close-up view of the two top drawers pulled open, revealing organized snacks and a cutlery tray, demonstrating the internal storage capacity.



Image 5: The barn-style doors of the buffet cabinet are open, showcasing the interior shelves filled with various kitchen essentials like jars, small appliances, and a basket.



Image 6: The buffet cabinet placed in a living room, demonstrating its versatility as a storage or display unit in a different home environment.

## MAINTENANCE

---

To ensure the longevity and appearance of your buffet cabinet, follow these maintenance guidelines:

- **Cleaning:** Wipe surfaces with a soft, damp cloth. Avoid abrasive cleaners or harsh chemicals that could damage the finish.
- **Spills:** The top surface is made of a durable laminate material, making it resistant to minor spills. Promptly wipe up any liquids to prevent potential damage.
- **Weight Distribution:** Distribute weight evenly across shelves and the top surface. Do not exceed the maximum weight capacity.
- **Environmental Conditions:** This cabinet is designed for indoor use. Avoid prolonged exposure to direct sunlight or extreme humidity, which can affect the engineered wood material.

## TROUBLESHOOTING

---

If you encounter any issues during or after assembly, refer to the following common solutions:

- **Doors Not Closing Securely:** Check the installation of the magnetic catches located at the top of the door frames. Ensure they are correctly oriented and securely fastened.
- **Missing Hardware:** In rare cases, a small number of screws or other hardware components might be missing. Contact customer support for replacement parts.
- **Wobbly Cabinet:** Ensure all screws and fasteners are tightened. Verify that the cabinet is placed on a level surface.
- **Drawers Not Sliding Smoothly:** Check the drawer slides for proper alignment and ensure no obstructions are present.

## SPECIFICATIONS

Feature	Detail
Brand	HOSTACK
Model Number	B0FX9LF6QP
Color	Green
Product Dimensions (D x W x H)	15.7"D x 47.2"W x 31.9"H
Weight Capacity (Counter Space)	300 lbs
Weight Capacity (Shelf)	44 lbs
Weight Capacity (Drawer)	22 lbs
Material	Engineered Wood (Frame & Top)
Number of Shelves	2 (adjustable)
Mounting Type	Freestanding
Assembly Required	Yes
Room Type	Dining Room, Entryway, Kitchen, Living Room

**Important Safety Information:** Do not exceed the maximum weight capacity of 300 lbs for the counter space, 44 lbs per shelf, and 22 lbs per drawer. Always follow assembly instructions carefully to ensure stability and prevent injuries.

## WARRANTY AND SUPPORT

For specific warranty information regarding your HOSTACK Buffet Cabinet, please refer to the documentation included with your purchase or contact the seller directly. Warranty terms and conditions may vary.

For additional support, product inquiries, or to explore other HOSTACK products, please visit the official HOSTACK store:

[HOSTACK Official Store on Amazon](#)

