

[Manuals.plus](#) /

> [VASAGLE](#) /

> VASAGLE Kailyn RDT144WB01 Dressing Table with LED Mirror and Power Strip User Manual

VASAGLE RDT144WB01

VASAGLE Kailyn RDT144WB01 Dressing Table with LED Mirror and Power Strip User Manual

Model: RDT144WB01 | Brand: VASAGLE

1. INTRODUCTION

Thank you for choosing the VASAGLE Kailyn RDT144WB01 Dressing Table. This modern and minimalist dressing table is designed to enhance your daily beauty routine with its integrated LED mirror, convenient power strip, and ample storage. This manual provides essential information for safe assembly, operation, and maintenance of your new furniture. Please read these instructions carefully before assembly and use, and retain them for future reference.



Image 1: The VASAGLE Kailyn RDT144WB01 dressing table with its LED mirror, accompanying stool, and various storage options.

2. SAFETY INFORMATION

- **Assembly:** Always follow the assembly instructions precisely. Ensure all parts are correctly installed and tightened before use.
- **Stability:** To prevent tipping, secure the dressing table to the wall using the provided anti-tip kit, especially if children are present.
- **Weight Capacity:** Do not exceed the maximum weight capacity for shelves (5 kg) and the main tabletop (50 kg). Overloading can cause damage or injury.
- **Electrical Safety:** The integrated power strip and LED mirror are designed for indoor use only. Do not expose to moisture. Ensure the power adapter used for the LED mirror is 5V/2A (not included).
- **Placement:** Place the dressing table on a flat, stable surface. Avoid direct sunlight or extreme temperature changes.

3. PACKAGE CONTENTS

Your VASAGLE Kailyn RDT144WB01 dressing table package includes all necessary components and hardware for assembly. Please refer to the detailed parts list in the separate assembly manual provided

with your product to ensure all items are present before beginning assembly. All parts are clearly labeled for easy identification.

4. SETUP AND ASSEMBLY

Assembly of the VASAGLE Kailyn RDT144WB01 dressing table requires patience and careful attention to the provided instructions. It is recommended to assemble the unit with two people for easier handling and stability. Follow the step-by-step guide in the included assembly manual. All components are numbered to simplify the process.

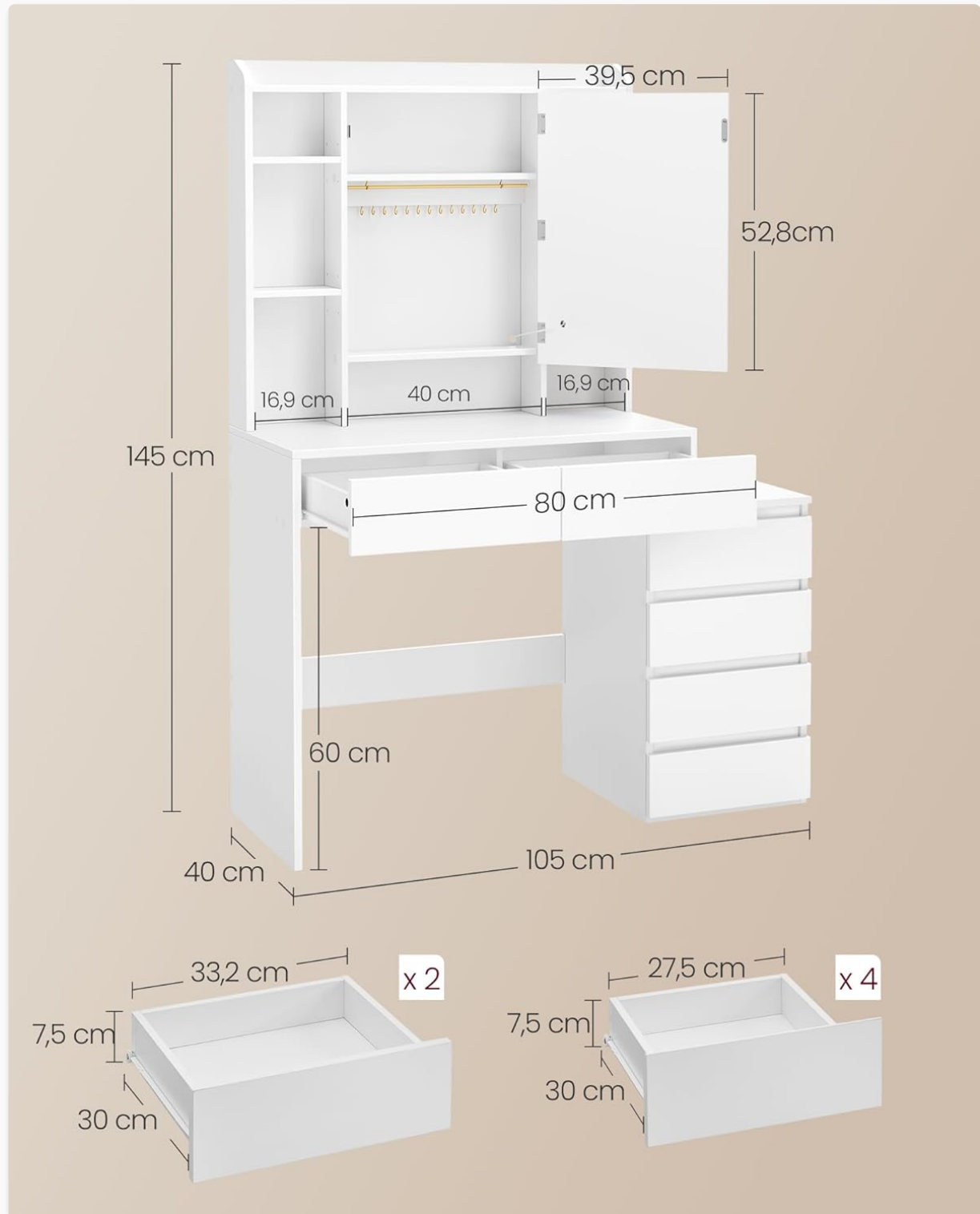


Image 2: Technical diagram illustrating the overall dimensions of the dressing table, including height, width, and depth, along with internal drawer measurements.

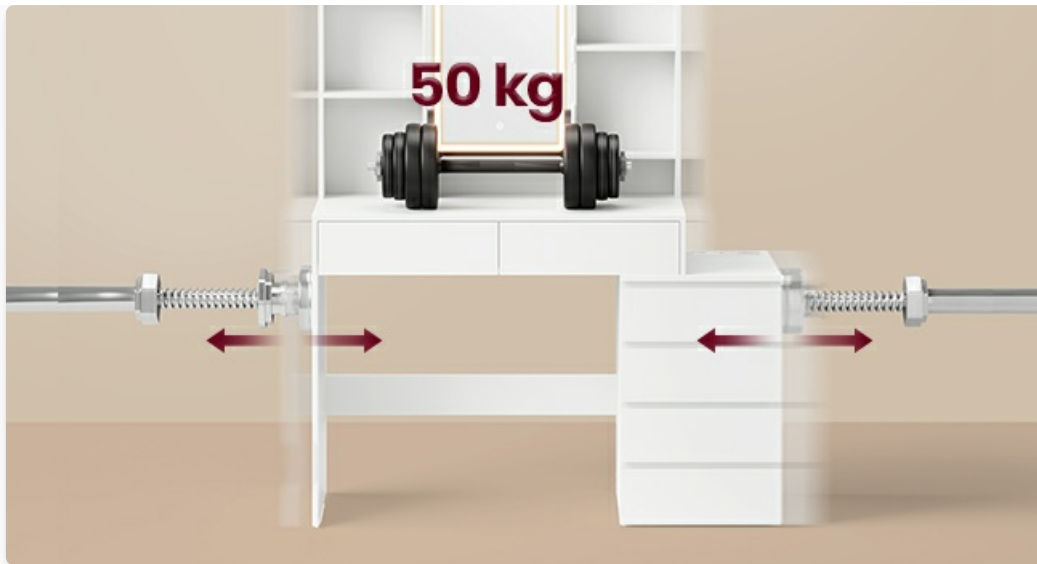


Image 3: Diagram indicating the maximum weight capacity of 50 kg for the main structure of the dressing table, highlighting its stability.

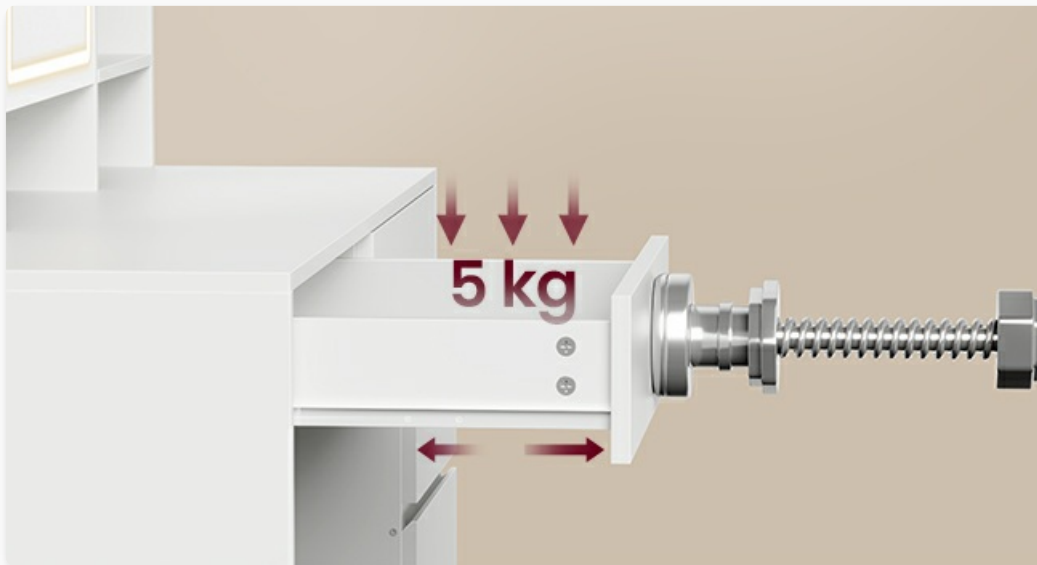


Image 4: Diagram indicating the maximum weight capacity of 5 kg for each drawer, ensuring proper use and longevity.

5. OPERATING INSTRUCTIONS

5.1 LED Mirror Operation

The integrated LED mirror offers adjustable lighting to suit your needs. To operate:

- **Change Color Temperature:** Lightly touch the sensor button on the mirror to cycle through three color temperatures: cool white (6000K), natural white (4000K), and warm white (3000K).
- **Adjust Brightness:** Press and hold the sensor button to continuously adjust the brightness level. Release when the desired brightness is achieved.

Note: An external 5V/2A power adapter is required for the LED mirror (not included).

Lumière LED réglable

3 nuances de couleur, luminosité variable

6000K

Lumière froide



4000K

Lumière naturelle



3000K

Lumière chaude



Interrupteur

- Appuyez pour changer de couleur
- Maintenez quelques secondes pour régler l'intensité

Remarque: Il est recommandé d'utiliser un adaptateur d'une puissance de 5V/2A



Image 5: Visual guide demonstrating the three adjustable LED light colors (cool, natural, warm) and the touch control for brightness adjustment on the mirror.

5.2 Integrated Power Strip

The dressing table features a built-in power strip for convenient access to power for your beauty tools and devices. It includes:

- 2 AC Outlets
- 1 USB-A Port
- 1 USB-C Port

Ensure that the total power consumption of connected devices does not exceed the power strip's maximum rating.



Multiprise intégrée pratique

- ✓ 2 prises CA
- ✓ 1 port USB-A
- ✓ 1 port USB-C

Image 6: A close-up view of the integrated power strip, showing the two AC outlets, USB-A port, and USB-C port in use.

5.3 Storage Features

The dressing table offers extensive storage options:

- **Upper Shelf:** For frequently used items.
- **7 Open Compartments:** Ideal for displaying and organizing various beauty products.
- **2 Large Drawers:** For discreet storage of larger items.
- **Cabinet with 4 Drawers:** Provides additional organized storage space.
- **Adjustable Shelves:** Two shelves on the left side and one in the middle of the right side are adjustable to three different heights, allowing you to customize storage for items of various sizes.
- **Behind-Mirror Storage:** Includes two shelves for cosmetics and hooks for necklaces.

Beaucoup d'espace de rangement

Tous les produits de beauté trouvent leur place

1 étagère
en haut

7 compartiments
ouverts

Commode à
4 tiroirs

2 grands
tiroirs



Image 7: An overview of the dressing table's various storage solutions, including open shelves, drawers, and a side cabinet.



Étagères réglables

Réglables sur 3 hauteurs, pour ranger vos affaires de différentes tailles



Image 8: Close-up showing the adjustable shelves, which can be set at three different heights to accommodate various item sizes.

6. MAINTENANCE

To ensure the longevity and appearance of your dressing table:

- **Cleaning:** Wipe surfaces with a soft, damp cloth. Avoid using abrasive cleaners, harsh chemicals, or excessive moisture, as these can damage the engineered wood finish.
- **Spills:** Clean up spills immediately to prevent staining or damage to the surface.
- **Mirror Care:** Use a glass cleaner specifically designed for mirrors to clean the LED mirror. Do not spray cleaner directly onto the mirror; apply it to a cloth first.
- **Inspection:** Periodically check all screws and connections to ensure they remain tight. Retighten if

necessary.

7. TROUBLESHOOTING

- **LED Mirror Not Lighting Up:** Ensure the power adapter (5V/2A, not included) is correctly connected to the mirror and a working power outlet. Check the adapter and cable for any damage.
- **Power Strip Not Working:** Verify that the dressing table's main power connection is secure and plugged into a functional wall outlet. Check if the devices connected to the power strip are working correctly.
- **Drawers Not Sliding Smoothly:** Check for any obstructions in the drawer slides. Ensure the drawer slides are properly aligned and lubricated if necessary.
- **Wobbly Table:** Confirm that all assembly screws are fully tightened. Ensure the table is placed on a level surface. Adjust any leveling feet if present.

8. SPECIFICATIONS

Feature	Specification
Brand	VASAGLE
Model Number	RDT144WB01
Color	Cloud White
Material	Engineered Wood
Product Dimensions (D x W x H)	40 x 105 x 145 cm (15.7 x 41.3 x 57.1 inches)
Item Weight	34 Kilograms (75 lbs)
Number of Drawers	2 (main table) + 4 (side cabinet)
LED Mirror Light	3 Color Temperatures (6000K, 4000K, 3000K), Adjustable Brightness
Power Strip	2 AC Outlets, 1 USB-A Port, 1 USB-C Port
Assembly Required	Yes
GTIN (UPC)	194343509686

9. WARRANTY INFORMATION

This VASAGLE product is covered by a standard manufacturer's warranty against defects in materials and workmanship. Please refer to the warranty card included with your purchase or contact customer support for specific warranty terms and conditions. Keep your proof of purchase for warranty claims.

10. SUPPORT

If you have any questions, require assistance with assembly, or encounter any issues with your VASAGLE Kailyn RDT144WB01 dressing table, please do not hesitate to contact our customer support team. You can find contact information on the VASAGLE official website or through your retailer's support channels. Please have your model number (RDT144WB01) and purchase details ready when contacting support.

