

[Manuals.plus](#) /

> [Shintenchi](#) /

> Shintenchi Bathroom Wall Cabinet SHX2225 Instruction Manual

Shintenchi SHX2225

Shintenchi Bathroom Wall Cabinet SHX2225 Instruction Manual

Model: SHX2225

PRODUCT OVERVIEW

The Shintenchi Bathroom Wall Cabinet SHX2225 is a functional and space-saving storage solution designed for bathrooms. It features a door, an adjustable internal shelf, and open shelves, providing versatile storage for toiletries, medicine, and other items. This cabinet is crafted from FSC-certified wood, ensuring an eco-friendly and durable product.



Image: Shintenci Bathroom Wall Cabinet SHX2225 in Walnut finish.

Key Features:

- **Functional Storage:** Offers three shelves, including an adjustable one, for organized storage.
- **Space-Saving Design:** Mounts on a wall or over a toilet to maximize room space.
- **Adjustable Shelf Height:** Internal shelves can be adjusted within a 3-inch range to accommodate various item heights.
- **Simple and Stylish:** Minimalist design with a wood texture that complements various home decors.
- **Easy Assembly:** Comes with detailed instructions and all necessary hardware for straightforward installation.

SAFETY INFORMATION

Always use appropriate safety gear when assembling and mounting the cabinet. Ensure the wall can support the weight of the cabinet before installation. Keep the area around the cabinet clear during and after installation to prevent potential injuries from falling objects. Do not overload the shelves to prevent the cabinet from tipping over.

ASSEMBLY INSTRUCTIONS

This cabinet requires assembly. Please follow the detailed instructions provided in the package. All necessary mounting hardware is included. For best results, use your own heavy-duty tools if available, as the included tools may be basic.

Before You Begin:

- Unpack all components and verify against the parts list in your manual.
- Ensure you have a clean, flat surface for assembly.
- Gather necessary tools (screwdriver, hammer, drill for wall mounting).

Assembly Steps (General Guide):

1. Assemble the main frame of the cabinet according to the provided diagrams, ensuring all panels are correctly oriented.
2. Install the back panel, securing it to the frame.
3. Attach the door hinges to the cabinet frame and the door.
4. Mount the door onto the hinges, ensuring proper alignment.
5. Install the door handles and magnetic catches.
6. Insert the adjustable shelf pins and place the adjustable shelf at your desired height.
7. Attach the wall mounting brackets to the top panel of the cabinet.
8. Carefully mark and drill pilot holes on your wall, ensuring they align with the cabinet's mounting brackets. Use appropriate wall anchors for your wall type.
9. Mount the cabinet securely to the wall.

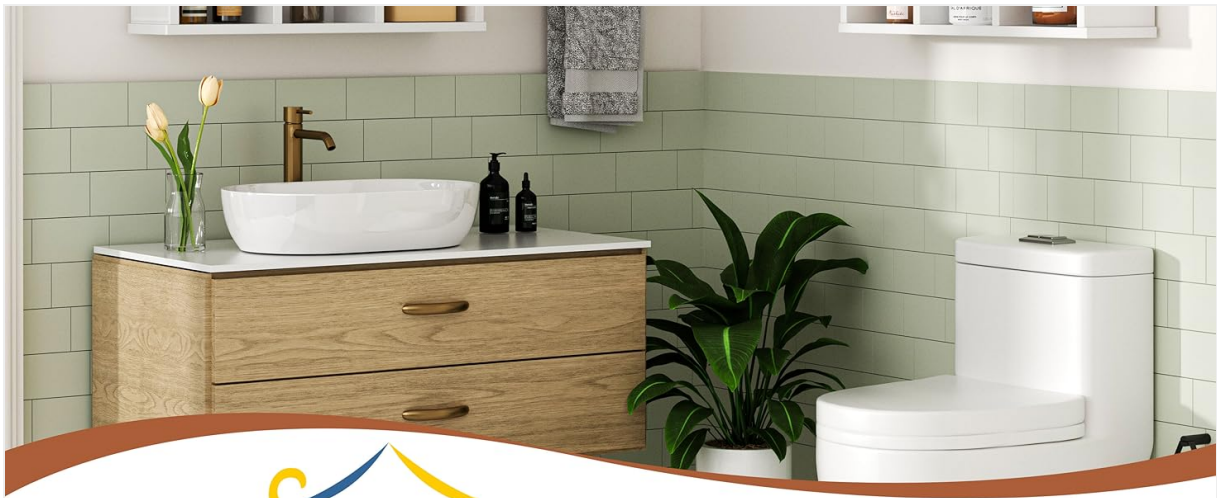


Image: Cabinet dimensions and internal measurements for assembly reference.

OPERATING INSTRUCTIONS

Adjusting Shelves:

The internal shelf can be adjusted to different heights. To adjust, remove any items from the shelf, lift the shelf, and reposition the shelf pins into the desired holes. Ensure the shelf is level and securely seated on the pins before placing items back.

Height-Adjustable Shelf

Adjustable to Suit Your Needs, Simple and Convenient.

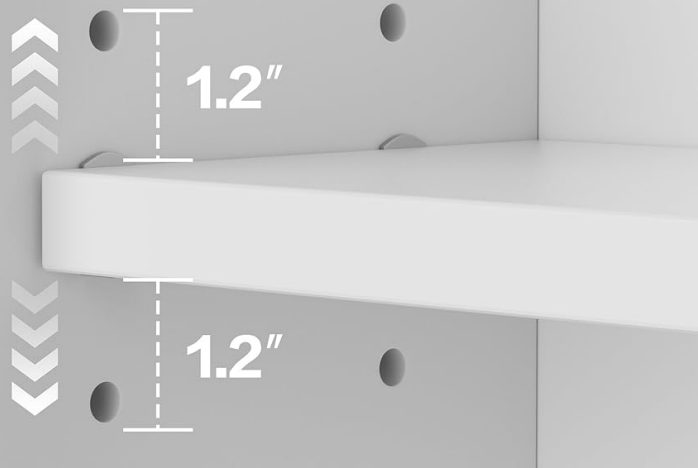


Image: Height-adjustable shelf mechanism.

Door Operation:

The cabinet door is equipped with aluminum handles for easy opening and closing. Magnetic catches ensure the door remains securely closed when not in use.

Aluminum Handles

Round Smooth Knobs, Easy to Open and Close.



Image: Aluminum handles for door operation.

Magnet Door

Soft-close, Secure, Smooth & Gentle.



Image: Magnetic door catch for secure closure.

MAINTENANCE AND CARE

To maintain the appearance and longevity of your Shintenchi Bathroom Wall Cabinet, regularly wipe surfaces with a soft, damp cloth. Avoid using harsh chemicals or abrasive cleaners, which can damage the finish. Promptly clean up any spills to prevent staining.



Image: Easy-to-clean surface demonstration.

TROUBLESHOOTING

- **Missing or Damaged Parts:** If you find any parts missing or damaged upon unboxing, please contact Shintenchi customer support immediately for replacements.
- **Difficulty Assembling:** Review the assembly instructions carefully. Ensure all panels are oriented correctly and all hardware is used as specified. Do not overtighten screws.
- **Door Alignment Issues:** If the door does not align properly, check the hinge installation. Hinges often have adjustment screws that can be used to fine-tune door position.
- **Cabinet Feels Unstable After Mounting:** Ensure the wall mounting brackets are securely fastened to both the cabinet and the wall. Verify that appropriate wall anchors were used for your wall type and that the wall can support the cabinet's weight.

PRODUCT SPECIFICATIONS

Feature	Detail
Brand	Shintenchi
Model Number	SHX2225
Color	Walnut
Material	Wood
Product Dimensions (D x W x H)	5.7"D x 22"W x 24.2"H
Item Weight	8 Pounds
Number of Shelves	3
Adjustable Shelf	Yes
Mounting Type	Wall Mount

Required Assembly	Yes
UPC	810195523167

WARRANTY INFORMATION

Warranty information for the Shintenchi Bathroom Wall Cabinet SHX2225 is not explicitly provided in the product details. For specific warranty terms and conditions, please contact Shintenchi customer support directly.

CUSTOMER SUPPORT

For any questions, assistance with assembly, troubleshooting, or to report missing/damaged parts, please contact Shintenchi customer support. Refer to your purchase documentation for contact details or visit the official Shintenchi website.