



[Manuals.plus](#) /

> [WILAWELS](#) /

> WILAWELS 8 Pack 6W 700LM Low Voltage Landscape Lighting and 500W Transformer User Manual

WILAWELS W01SLP806-D24LT06

WILAWELS Low Voltage Landscape Lighting and Transformer Bundle User Manual

Model: W01SLP806-D24LT06

1. INTRODUCTION

Thank you for choosing the WILAWELS Low Voltage Landscape Lighting and Transformer Bundle. This manual provides detailed instructions for the safe installation, operation, and maintenance of your new landscape lighting system. This bundle includes eight 6W LED landscape lights and one 500W low voltage landscape transformer, designed to enhance the beauty and safety of your outdoor spaces.

Please read this manual thoroughly before installation and retain it for future reference.



Image 1.1: WILAWELS Low Voltage Landscape Lighting and Transformer Bundle.

2. SAFETY INFORMATION

To ensure safe operation and prevent injury or damage, please observe the following safety precautions:

- Always disconnect power at the main circuit breaker before installing or servicing the transformer or lights.
- Ensure all electrical connections are secure and protected from moisture.
- Do not immerse the transformer in water. Mount it in a location protected from direct heavy rain and standing water.
- Use only low voltage landscape wiring (not included) suitable for outdoor direct burial or placement in conduit.
- Do not exceed the maximum wattage capacity of the transformer (500W). The total wattage of connected lights should not exceed 80% of the transformer's rated power for safe and stable operation.
- Keep children and pets away from the installation area.
- This product is ETL certified, ensuring compliance with North American safety standards.

3. PACKAGE CONTENTS

Verify that all components are present and undamaged upon unpacking:

- 8 x 6W LED Landscape Lights with Ground Stakes
- 16 x Wire Connectors
- 1 x 500W Low Voltage Landscape Transformer with Photocell Sensor
- 1 x User Manual (this document)

Note: Low-voltage landscape wires are not included and must be purchased separately.



Image 3.1: Eight 6W LED Landscape Lights and 16 Connectors.

4. SETUP AND INSTALLATION

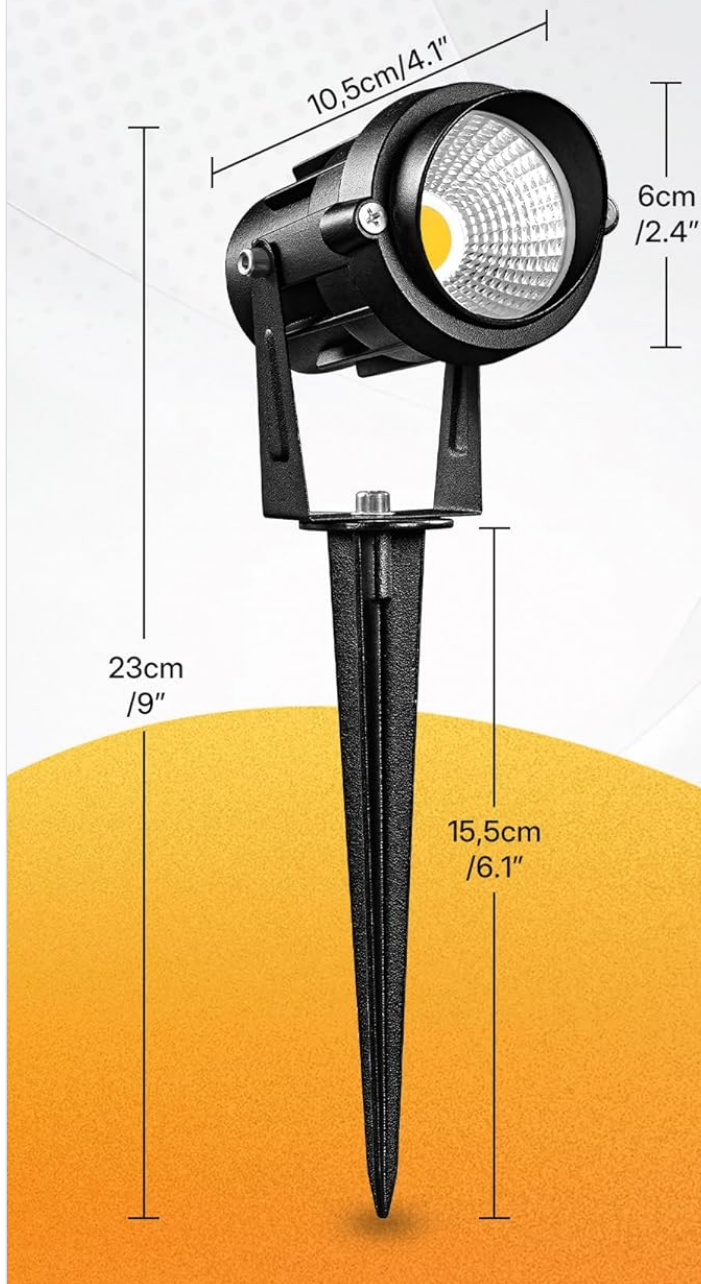
4.1 Planning Your Layout

- Determine the desired locations for your landscape lights (garden, pathway, trees, yard).
- Choose a suitable, protected location for the transformer, ideally near a 120V AC outdoor power outlet. Ensure the photocell sensor has unobstructed access to natural light.
- Measure the total length of low-voltage cable required, ensuring you have enough to connect all lights to the transformer.

4.2 Installing the Landscape Lights

1. Assemble the ground stakes to the landscape lights.
2. Gently push the ground stakes into the soil at your desired locations. Ensure the lights are securely positioned.
3. Adjust the light head to the desired angle (up to 270° vertical and 360° horizontal rotation) to illuminate specific features.

LED LANDSCAPE LIGHT COMPONENT



Aluminum Lamp Head



High-Quality LED COB Chip



Secure Fixing Screw



270° Vertical Rotation
360° Horizontal Rotation

Image 4.1: Landscape Light Component Dimensions and Rotation.

4.3 Connecting the Lights to the Low-Voltage Cable

The included screw-tightening connectors provide a stable and tool-free connection:

1. **Separate the Wires:** Carefully separate the two conductors of your low-voltage cable (not included) for about 1-2 inches at the connection point.
2. **Install the First Tap:** Insert one conductor of the low-voltage cable into one side of the connector's screw pin.
3. **Screw Pin into Power Cable:** Twist the screw pin clockwise to pierce the insulation and make contact with the conductor.
4. **Install the End Tap:** Repeat the process for the second conductor and the other side of the connector.

5. **Tighten Screw Collar:** Ensure both conductors are securely fastened by tightening the screw collars on the connector.
6. **Pull Test and Done:** Gently pull on the connected wires to confirm a secure connection.



Image 4.2: Steps for installing screw-tightening wire connectors.

4.4 Installing the Transformer

1. Mount the transformer vertically on a wall or post using appropriate hardware (not included). Ensure it is at least 1 foot above ground level and protected from direct water spray.
2. Plug the transformer's power cord into a grounded 120V AC outdoor outlet.
3. Connect the low-voltage cables from your lights to the output terminals on the transformer. The transformer

features two independently controlled output zones. Distribute your lights between Zone 1 and Zone 2 as desired.

4. Position the detachable photocell sensor in a location that receives natural light, away from artificial light sources that could interfere with its operation. The sensor has a 6-foot cord for flexible placement.



Image 4.3: WILAWELS 500W Low Voltage Landscape Transformer.

5. OPERATING INSTRUCTIONS

The 500W transformer offers multiple operating modes and dual-zone control for personalized lighting.

5.1 Setting the Clock

1. Press the 'CLOCK' button. The hour digits will flash.
2. Use the 'UP' and 'DOWN' arrow buttons to set the current hour. Pay attention to AM/PM indicator.
3. Press 'CLOCK' again. The minute digits will flash.
4. Use the 'UP' and 'DOWN' arrow buttons to set the current minute.
5. Press 'CLOCK' one more time to save the time.

5.2 Selecting Operating Modes

The transformer supports 5 operating modes. Each zone (Zone 1 and Zone 2) can be set independently.



Image 5.1: The 5 Operating Modes of the WILAWELS 500W Low Voltage Transformer.

To set a mode for a specific zone:

1. Press either the 'ZONE 1' or 'ZONE 2' button to select the desired zone.
2. Repeatedly press the 'ENTER' button to cycle through the available modes for that zone:
 - **OFF:** Lights remain off.
 - **ON:** Lights remain on continuously.
 - **AUTO (Dusk-to-Dawn):** Lights turn on automatically at dusk and turn off at dawn, controlled by the photocell sensor.
 - **4H/6H/8H (Countdown Timer):** Lights turn on at dusk and stay on for 4, 6, or 8 hours, then turn off.
 - **TIMER (Scheduled On/Off):** Allows you to set specific ON and OFF times for the lights.

5.3 Dual-Zone Independent Control

The transformer allows you to set different modes and schedules for Zone 1 and Zone 2 independently. This enables customized lighting for different areas of your landscape.

ON AT DUSK AND OFF AT DAWN

The photocell sensor turns lights on at dusk and off at dawn.



Image 5.2: Dual-Zone Independent Control for Personalized Lighting.

For example, you can set Zone 1 to turn on at dusk and off at dawn for general illumination, while Zone 2 can be set to a timer mode to turn on at 8:00 PM and off at 11:30 PM for accent lighting.

5.4 Photocell Sensor Operation

When the 'AUTO' mode is selected, the detachable photocell sensor detects ambient light levels. It will automatically turn the lights on when it gets dark (dusk) and turn them off when it gets light (dawn).

6. MAINTENANCE

Regular maintenance ensures optimal performance and longevity of your lighting system.

- **Cleaning:** Periodically clean the light fixtures and the photocell sensor with a soft, damp cloth to remove dirt, dust, and debris. Ensure the photocell sensor is clear for accurate light detection.
- **Connections:** Annually inspect all wire connections for tightness and corrosion. Re-tighten screw connectors if necessary.
- **Bulb Replacement:** The LED lights are designed for long life (up to 50,000 hours) and are generally not user-replaceable. If a light fails, the entire fixture may need replacement.
- **Photocell Sensor Replacement:** The photocell sensor is detachable and replaceable. If it malfunctions, contact customer support for a replacement.
- **Transformer Placement:** Ensure the transformer remains in a protected location, free from standing water or excessive moisture.

7. TROUBLESHOOTING

If you encounter issues with your WILAWELS landscape lighting system, refer to the following troubleshooting guide:

Problem	Possible Cause	Solution
Lights do not turn on.	<ul style="list-style-type: none"> • No power to transformer. • Incorrect mode selected. • Loose wire connections. • Faulty photocell sensor (in AUTO mode). • Overloaded transformer. 	<ul style="list-style-type: none"> • Check power outlet and circuit breaker. • Verify transformer mode settings for the affected zone. • Inspect and tighten all wire connections. • Ensure photocell sensor is clean and exposed to light. Test by covering it to simulate dusk. • Reduce the number of connected lights or ensure total wattage is below 80% of 500W.
Lights flicker or are dim.	<ul style="list-style-type: none"> • Loose connections. • Voltage drop due to long cable runs or undersized wire. • Overloaded transformer. 	<ul style="list-style-type: none"> • Check and tighten all wire connections. • Use heavier gauge low-voltage cable for longer runs. • Reduce the number of connected lights.
Lights stay on during the day (AUTO mode).	<ul style="list-style-type: none"> • Photocell sensor obstructed or dirty. • Photocell sensor exposed to artificial light at night. • Faulty photocell sensor. 	<ul style="list-style-type: none"> • Clean the photocell sensor. • Relocate the photocell sensor away from porch lights, streetlights, etc. • Contact customer support for a replacement photocell sensor.
Lights do not turn off at the set time (TIMER mode).	Incorrect time or timer settings.	Verify the current time and the ON/OFF times set for the timer mode in the affected zone.

8. SPECIFICATIONS

8.1 6W LED Landscape Lights

- **Wattage:** 6W per light
- **Lumen Output:** 700 LM
- **Color Temperature:** 3000K Warm White
- **Beam Angle:** 120°
- **Adjustability:** 270° Vertical, 360° Horizontal
- **Lifespan:** Approximately 50,000 hours
- **Waterproof Rating:** IP65
- **Working Temperature:** -4°F to 130°F (-20°C to 54°C)
- **Material:** Thick Aluminum Alloy Body, Lens Cover
- **Certifications:** ETL Certified

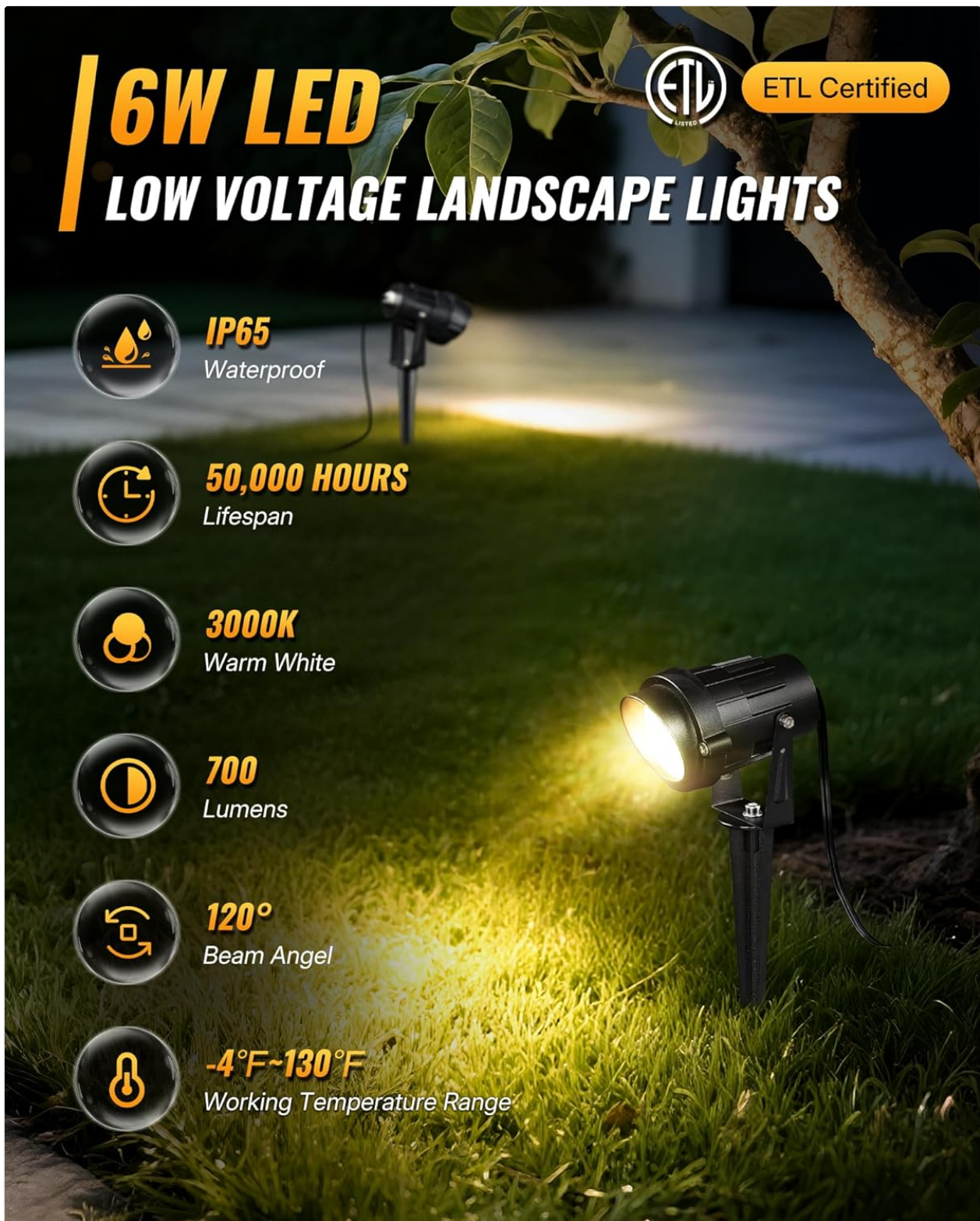


Image 8.1: Key Features of the 6W LED Landscape Lights.

8.2 500W Low Voltage Landscape Transformer

- **Input Voltage:** 120V AC
- **Output Voltage:** 12V AC / 14V AC
- **Max Wattage:** 500W
- **Control:** Digital Display, Dual-Zone Independent Control
- **Sensor:** Detachable Photocell Sensor (6-foot cord)
- **Operating Modes:** OFF, ON, AUTO (Dusk-to-Dawn), Countdown (4H/6H/8H), Timer (Scheduled On/Off)
- **Certifications:** ETL Certified

9. WARRANTY AND SUPPORT

WILAWELS products are designed for quality and reliability. Specific warranty information, including duration and terms, is typically provided with your product packaging or can be found on the official WILAWELS website. Please retain your proof of purchase for warranty claims.

For technical support, troubleshooting assistance beyond this manual, or warranty inquiries, please contact WILAWELS customer service through the retailer where the product was purchased or visit the official WILAWELS brand store online.