



[Manuals.plus](#) /

> [Mirightone](#) /

> Mirightone 24 Inch Bathroom Vanity with Sink Instruction Manual

Mirightone N725P350848N

Mirightone 24 Inch Bathroom Vanity with Sink

Model: N725P350848N

[Assembly](#) [Operation](#) [Safety Information](#) [Package Contents](#) [Setup &](#)
[Maintenance](#) [Troubleshooting](#) [Specifications](#) [Warranty & Support](#)

INTRODUCTION

Thank you for purchasing the Mirightone 24 Inch Bathroom Vanity with Sink. This manual provides essential information for the safe assembly, operation, and maintenance of your new vanity. Please read these instructions thoroughly before installation and retain them for future reference.



Image: The Mirightone 24 Inch Bathroom Vanity with Sink, showcasing its wood finish and ceramic top in a bathroom environment.

SAFETY INFORMATION

Please observe the following safety precautions during assembly and use:

- Always use appropriate tools and follow all assembly steps carefully.
- Ensure all connections are secure before use.
- Do not overload drawers or shelves; adhere to the maximum weight limit of 150 pounds for the vanity top.
- Keep small parts away from children during assembly to prevent choking hazards.
- For bathroom use only. Avoid exposure to excessive moisture or direct water spray on wooden components.
- Professional installation is recommended for plumbing connections.

PACKAGE CONTENTS

Verify that all components are present before beginning assembly. The package includes:

- Vanity Cabinet (Wood)
- Ceramic Sink Top
- Assembly Hardware
- Instruction Manual



Image: An exploded view diagram highlighting the ample storage space within the vanity, including the tip-out drawer, adjustable shelf, and two lower drawers.

SETUP & ASSEMBLY

This vanity is designed for straightforward assembly. All necessary hardware and a step-by-step instruction manual are included. Follow the detailed guide for quick and hassle-free setup.

Dimensions Overview

Before assembly, familiarize yourself with the vanity's dimensions to ensure proper placement and fit in your bathroom.

Unit:inch

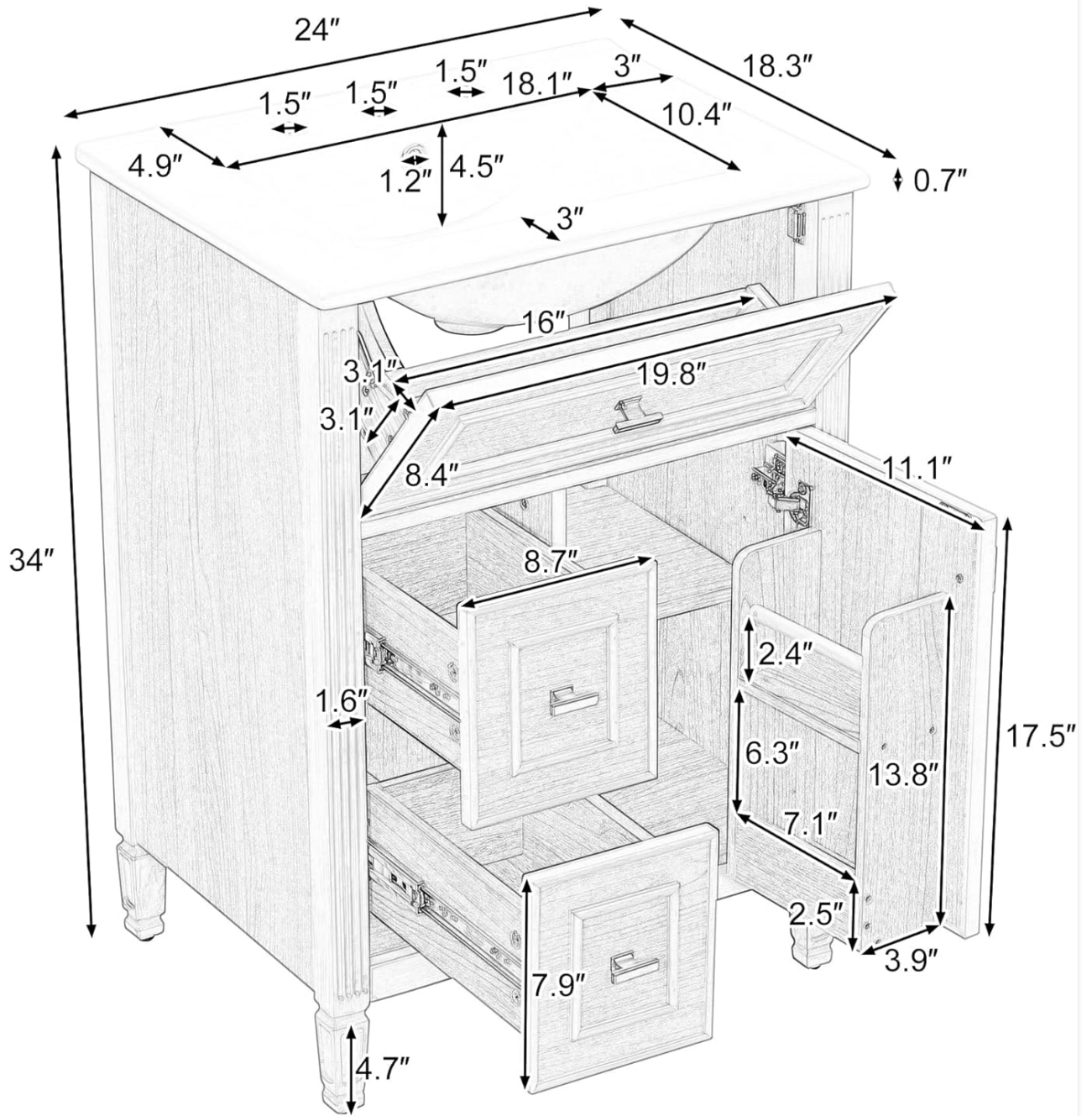


Image: External dimensions of the vanity, showing overall width, depth, and height in inches.

Unit:inch

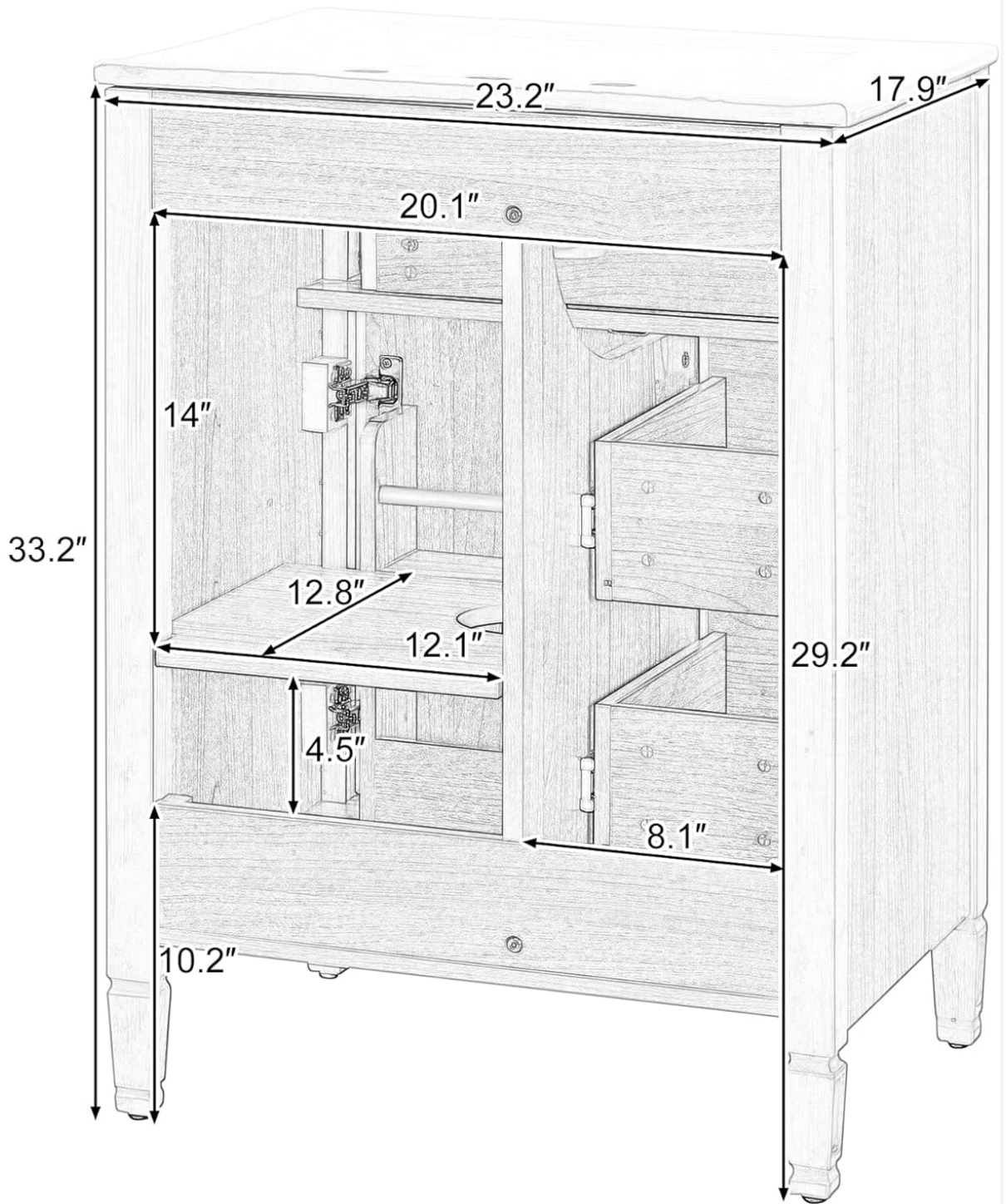


Image: Internal dimensions of the vanity, detailing the space within the cabinet and drawers.

Assembly Steps

1. **Unpack Components:** Carefully remove all parts from the packaging and lay them out on a clean, soft surface to prevent scratches.
2. **Assemble Cabinet Frame:** Follow the included diagram to connect the side panels, back panel, and base using the provided hardware. Ensure all screws are tightened securely.
3. **Install Drawers and Door:** Attach the drawer slides to the cabinet and assemble the drawers. Install the door with the soft-closing hinges.
4. **Place Ceramic Sink:** Carefully position the ceramic sink top onto the vanity cabinet. Ensure it is properly aligned and secured according to the instructions.

5. **Adjust Shelf:** The internal shelf is adjustable. Position it to your desired height before placing items inside.
6. **Faucet Installation:** The sink features pre-drilled three holes for an 8-inch widespread faucet (faucet not included). Install your chosen faucet according to its manufacturer's instructions.
7. **Plumbing Connections:** Connect the water supply lines and drain to the faucet and sink. Ensure all plumbing connections are watertight.

OPERATION

The Mirightone vanity is designed for functional and convenient use in your bathroom.

Storage Features

- **Flip Drawer:** The innovative flip drawer provides a practical solution for storing various items, from small toiletries to taller bottles.
- **Adjustable Shelf:** Customize the internal cabinet space by adjusting the shelf height to accommodate different sized items.
- **Side Drawers:** Two large side drawers offer additional enclosed storage for bathroom essentials.
- **Door Shelves:** The cabinet behind the door includes shelves for organized storage.

Ceramic Sink

The ceramic sink includes a built-in overflow with a stylish metal ring to prevent accidental water spills. The pre-drilled three holes are designed for easy installation of an 8-inch widespread faucet (not included).

Durable & Long-lasting Use



Solid Wood
Frame



High Quality
MDF Board



Painted
Finish



Image: Detailed view of the ceramic basin, showing the three pre-drilled faucet holes and the overflow feature.

MAINTENANCE

Proper care will ensure the longevity and appearance of your Mirightone vanity.

Cleaning Instructions

- **Vanity Cabinet:** Wipe the wood and MDF surfaces with a soft, damp cloth. Avoid abrasive cleaners or harsh chemicals that can damage the painted finish. Dry immediately with a clean cloth.
- **Ceramic Sink:** Clean the ceramic basin with mild soap and water. For stubborn stains, use a non-abrasive bathroom cleaner. Rinse thoroughly and wipe dry.
- **Hardware:** Clean metal handles and hinges with a soft, dry cloth. Avoid chemical cleaners that may tarnish the finish.

General Care

- Avoid placing hot items directly on the vanity surface.
- Promptly wipe up any water spills to prevent moisture damage to the wood components.
- Periodically check all hardware connections and tighten if necessary.

Product Details



**High-Quality
MDF Boards**



**Golden Metal
Handles**



**Metal
Door Hinges**



**Drawer
Slides**



**Unique
Door Pattern**



**Sturdy
Base**

Image: Visual representation of the vanity's construction, emphasizing the solid wood frame, high-quality MDF board, and painted finish for durability.

TROUBLESHOOTING

Refer to this section for solutions to common issues.

Problem	Possible Cause	Solution
Drawers do not slide smoothly.	Misaligned slides or debris in tracks.	Check drawer slide alignment and clear any obstructions. Lubricate slides if necessary.

Problem	Possible Cause	Solution
Cabinet door does not close properly.	Hinges are loose or misaligned.	Adjust or tighten the soft-closing hinges. Refer to the assembly instructions for hinge adjustment details.
Water leakage from sink or faucet.	Loose plumbing connections.	Check and tighten all water supply and drain connections. If leakage persists, consult a professional plumber.
Vanity feels unstable.	Loose assembly hardware.	Ensure all assembly screws and bolts are fully tightened. Verify the vanity is on a level surface.

SPECIFICATIONS

- **Brand:** Mirightone
- **Model Name:** 24 Inch Bathroom Vanity with Sink
- **Item Model Number:** N725P350848N
- **Color:** Wood
- **Product Dimensions:** 18.3"D x 24"W x 34"H
- **Item Weight:** 82.7 Pounds
- **Material:** Wood (Solid Wood Frame, High-Quality MDF Board)
- **Finish Type:** Painted
- **Mounting Type:** Floor Mount (Freestanding)
- **Number of Shelves:** 1 (Adjustable)
- **Number of Drawers:** 2 (plus 1 Flip Drawer)
- **Handle Material:** Metal (Gold Hardware Color)
- **Weight Limit:** 150 Pounds (Vanity Top)
- **Assembly Required:** Yes
- **Included Components:** Vanity Cabinet, Sink, Hardware, Instruction Manual

WARRANTY & SUPPORT

Specific warranty details for this product are not provided in the available information. For warranty inquiries or technical support, please contact Mirightone customer service directly through their official website or the retailer where the product was purchased.

