

[Manuals.plus](#) /

> [VENTS](#) /

> VENTS-US AM 125 VRF 5" Round Steel Ceiling Air Diffuser Instruction Manual

## VENTS AM 125 VRF

# VENTS-US AM 125 VRF 5" Round Steel Ceiling Air Diffuser Instruction Manual

Model: AM 125 VRF

## INTRODUCTION

---

This manual provides instructions for the installation, operation, and maintenance of the VENTS-US AM 125 VRF 5" Round Steel Ceiling Air Diffuser. This diffuser is designed for efficient air supply and exhaust in various indoor environments, ensuring optimal air distribution and comfort.

## PRODUCT OVERVIEW

---

The VENTS-US AM 125 VRF is a versatile metal air diffuser suitable for ceiling or wall mounting. It features an adjustable disc valve for precise airflow control and is constructed from durable, polymer-coated steel for corrosion resistance. Its design ensures even air distribution for heating, cooling, and ventilation systems.



Image: Front view of the VENTS-US AM 125 VRF 5-inch round steel ceiling air diffuser, showcasing its white finish and adjustable disc.

## KEY FEATURES

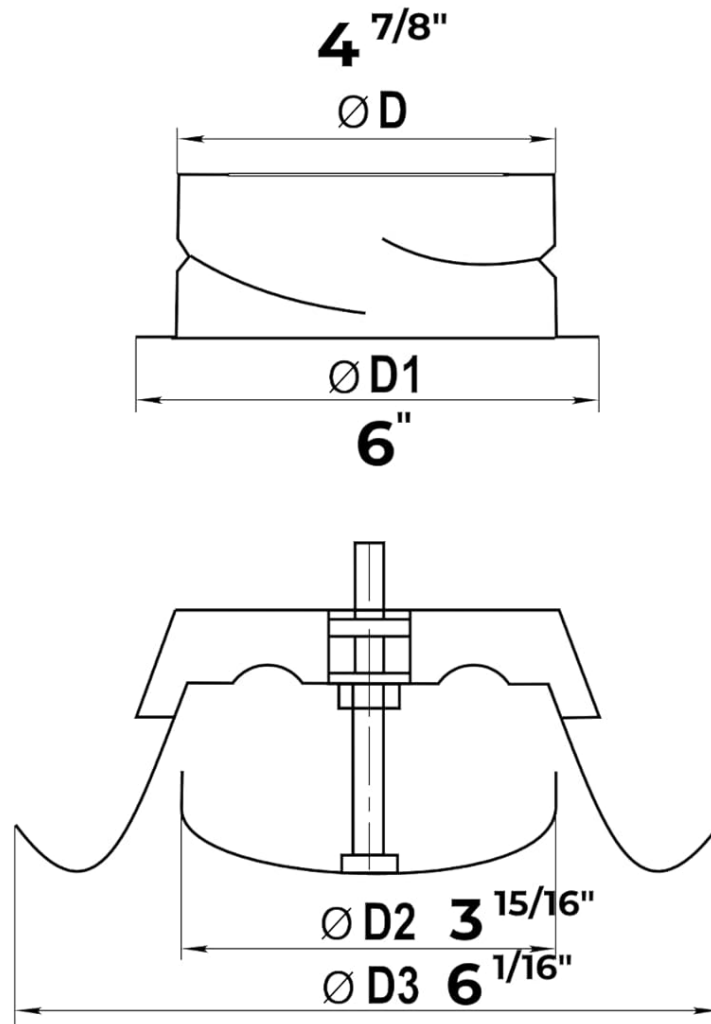
---

- **Durable Construction:** Crafted from polymer-coated steel for superior durability and corrosion resistance, ensuring long-lasting performance.
- **Versatile Installation:** Designed for ceiling, drop ceiling, and wall mounting, making it suitable for various residential and commercial spaces.
- **Adjustable Airflow:** Features a built-in rotatable baffle for precise control over air distribution and ventilation efficiency.
- **Sleek Design:** Blends seamlessly into any space while maximizing airflow for a comfortable environment.

## SPECIFICATIONS

Manufacturer	VENTS-US
Model Number	AM 125 VRF
Size	5" Round Ceiling Air Diffuser
Product Dimensions	6.37 x 6.37 x 3.37 inches
Item Weight	1 pound
Color	White
Included Components	Mounting collar and flange

# AM 125 VRF DIMENSIONS



**Air pass Sq. Ft: 0.075**

## INSTALLATION INSTRUCTIONS

---

The VENTS-US AM 125 VRF diffuser is designed for straightforward installation in drop ceilings or drywall. Ensure you have the necessary tools, including a cutting tool, screwdriver, and the included mounting collar and flange.

### Steps for Installation:

1. **Prepare the Opening:** Using the mounting collar as a template, trace the required circular opening on your ceiling or wall surface.
2. **Cut the Opening:** Carefully cut out the traced circle using an appropriate cutting tool.
3. **Insert Mounting Collar:** Insert the mounting collar into the cut opening.
4. **Secure the Collar:** Fasten the mounting collar to the ceiling or wall using screws (not included, typically provided by installer based on surface type).
5. **Connect Ductwork:** Connect your round ductwork to the mounting collar, ensuring a snug, airtight connection.
6. **Attach Diffuser:** Place the diffuser into the mounting collar. The sealing ring on the diffuser ensures a tight fit.

Your browser does not support the video tag.

Video: This video provides a product overview and demonstrates the installation process for the VENTS-US AM VRF series diffusers, including tracing, cutting, and securing the collar.



## METAL DIFFUSER



Image: The VENTS-US AM 125 VRF diffuser seamlessly integrated into a modern bathroom ceiling, illustrating its aesthetic appeal and flush installation.

### OPERATING INSTRUCTIONS

---

The VENTS-US AM 125 VRF diffuser features an adjustable disc valve to control airflow. This allows you to customize the air volume to suit your comfort needs.

#### Adjusting Airflow:

- To **decrease** airflow, gently rotate the central baffle disc clockwise.
- To **increase** airflow, gently rotate the central baffle disc counter-clockwise.

Adjust the baffle until the desired air volume and distribution are achieved for your space.

# ADJUSTABLE AIRFLOW



Image: A hand demonstrating the adjustment of the diffuser's rotatable baffle to control airflow.

Your browser does not support the video tag.

Video: A 360-degree view of the AM 125 VRF Ceiling Air Diffuser, highlighting its adjustable disc valve and overall construction.

## MAINTENANCE

---

Regular maintenance ensures the longevity and optimal performance of your VENTS-US AM 125 VRF diffuser.

### Cleaning:

- Periodically inspect the diffuser for dust and debris accumulation.
- Wipe the exterior surfaces with a soft, damp cloth. Avoid abrasive cleaners or solvents, as these may damage the polymeric coating.
- For thorough cleaning, the central disc can be carefully removed by unscrewing the central bolt. Clean the internal components and reassemble securely.

## TROUBLESHOOTING

---

If you encounter issues with your diffuser, refer to the following common troubleshooting tips:

### Issue: Insufficient Airflow

- **Check Baffle Position:** Ensure the adjustable disc valve is rotated counter-clockwise to increase airflow.
- **Inspect for Obstructions:** Verify that there are no blockages in the ductwork or within the diffuser itself.
- **Clean Diffuser:** Dust and debris can restrict airflow. Clean the diffuser as described in the Maintenance section.
- **System Check:** Ensure your HVAC system (fan, filter) is operating correctly and providing adequate air pressure.

### Issue: Uneven Air Distribution

- **Adjust Baffle:** Fine-tune the baffle position to direct airflow more evenly.
- **Check Installation:** Ensure the diffuser is securely installed and not obstructed by surrounding surfaces.

## WARRANTY AND SUPPORT

---

Specific warranty information for the VENTS-US AM 125 VRF diffuser is not provided in this manual. Please refer to the product packaging or the official VENTS-US website for detailed warranty terms and conditions.

For technical support, replacement parts, or further assistance, please contact VENTS-US customer service through their official website or the contact information provided with your purchase.

## TYPICAL APPLICATIONS

---

The VENTS-US AM 125 VRF diffuser is suitable for a variety of indoor spaces requiring efficient air supply and exhaust.



Image: A collage illustrating various typical applications for the VENTS-US AM VRF series diffusers, including bedrooms, office spaces, family rooms, and kitchens.