



Manuals.plus /

- › VilroCaz /
- › VilroCaz Full Size Playhouse Loft Bed with Slide and Stairs - Instruction Manual

VilroCaz Playhouse Design Full Size Loft Bed

VilroCaz Full Size Playhouse Loft Bed with Slide and Stairs - Instruction Manual

Model: Playhouse Design Full Size Loft Bed

1. INTRODUCTION AND PRODUCT OVERVIEW

This instruction manual provides essential information for the safe assembly, operation, and maintenance of your VilroCaz Full Size Playhouse Loft Bed with Slide and Stairs. Please read all instructions carefully before beginning assembly and retain this manual for future reference.

The VilroCaz Full Size Playhouse Loft Bed is designed to offer a functional sleeping area combined with a playful environment. It features a house-shaped roof design, integrated stairs with storage shelves, and a slide for access. Constructed from metal and MDF, this bed is built for durability and stability.



Image 1.1: Overall view of the ViroCaz Full Size Playhouse Loft Bed, showcasing its pink frame, house-shaped roof, slide, and integrated stairs with shelves.

2. SAFETY INFORMATION

Your safety and the safety of others are paramount. Please adhere to the following safety guidelines:

- **Weight Capacity:** The bed has a maximum weight capacity of 500 LBS. Do not exceed this limit.
- **Age Recommendation:** This bed is suitable for users aged 6 years and older.
- **Mattress Thickness:** Use a mattress with a maximum thickness of 6 inches to ensure proper guardrail height.
- **Guardrails:** Ensure all guardrails are securely installed and maintained to prevent falls.
- **No Jumping:** Do not allow jumping on the bed. This can lead to injury and damage to the bed structure.
- **Assembly:** Always assemble the bed with at least two adults. Ensure all hardware is tightened securely before use.
- **Regular Checks:** Periodically check all bolts, screws, and connections to ensure they remain tight. Retighten as necessary.
- **Slide Safety:** Use the slide only in a seated position, feet first. Ensure the area around the slide is clear of obstructions.

- **Stairs Safety:** Use the stairs carefully, holding onto the handrails if available. Do not run up or down the stairs.

3. PACKAGE CONTENTS

Before assembly, verify that all components are present and undamaged. If any parts are missing or damaged, do not proceed with assembly and contact customer support.

- Metal Bed Frame Components (various beams, posts, and panels)
- Slide Assembly
- Stairs with Integrated Storage Shelves
- Hardware Pack (screws, bolts, washers, Allen wrench, etc.)
- Assembly Instruction Manual

4. SETUP AND ASSEMBLY INSTRUCTIONS

Assembly requires two adults. Clear a spacious area for assembly and keep all hardware out of reach of small children. Follow the step-by-step instructions provided in the separate assembly guide included in your package. Ensure all connections are secure but do not overtighten until instructed.



Image 4.1: Dimensional diagram of the loft bed, illustrating key measurements for planning and assembly. Refer to the separate assembly guide for detailed step-by-step instructions.

After assembly, double-check all bolts and screws to ensure they are fully tightened. Place the bed on a level surface.

5. OPERATING INSTRUCTIONS

Once assembled, the loft bed is ready for use. Ensure the recommended mattress thickness of 6 inches is used to maintain guardrail effectiveness.

- **Sleeping Area:** The top bunk is designed for sleeping. Ensure the user is within the recommended age range and weight capacity.
- **Stairs:** Use the integrated stairs for safe access to the top bunk. The stairs also feature shelves for convenient storage of books, toys, or other items.
- **Slide:** The slide provides an alternative, fun way to descend from the bed. Always slide down feet first and ensure the landing area is clear.
- **Under-Bed Space:** The spacious area beneath the loft bed can be utilized for play, study, or additional storage.

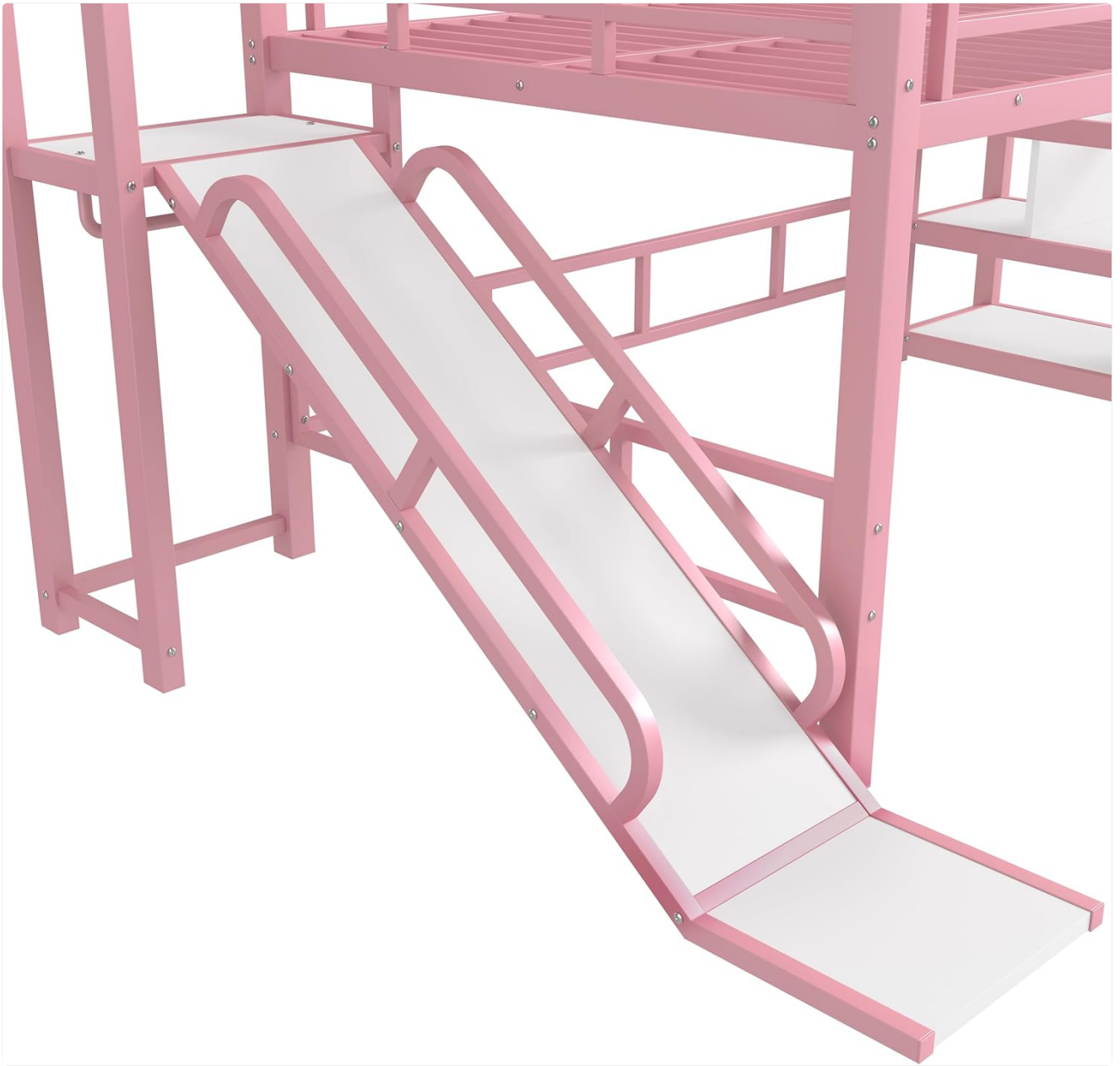


Image 5.1: Close-up view of the slide, highlighting its design for safe and enjoyable use.

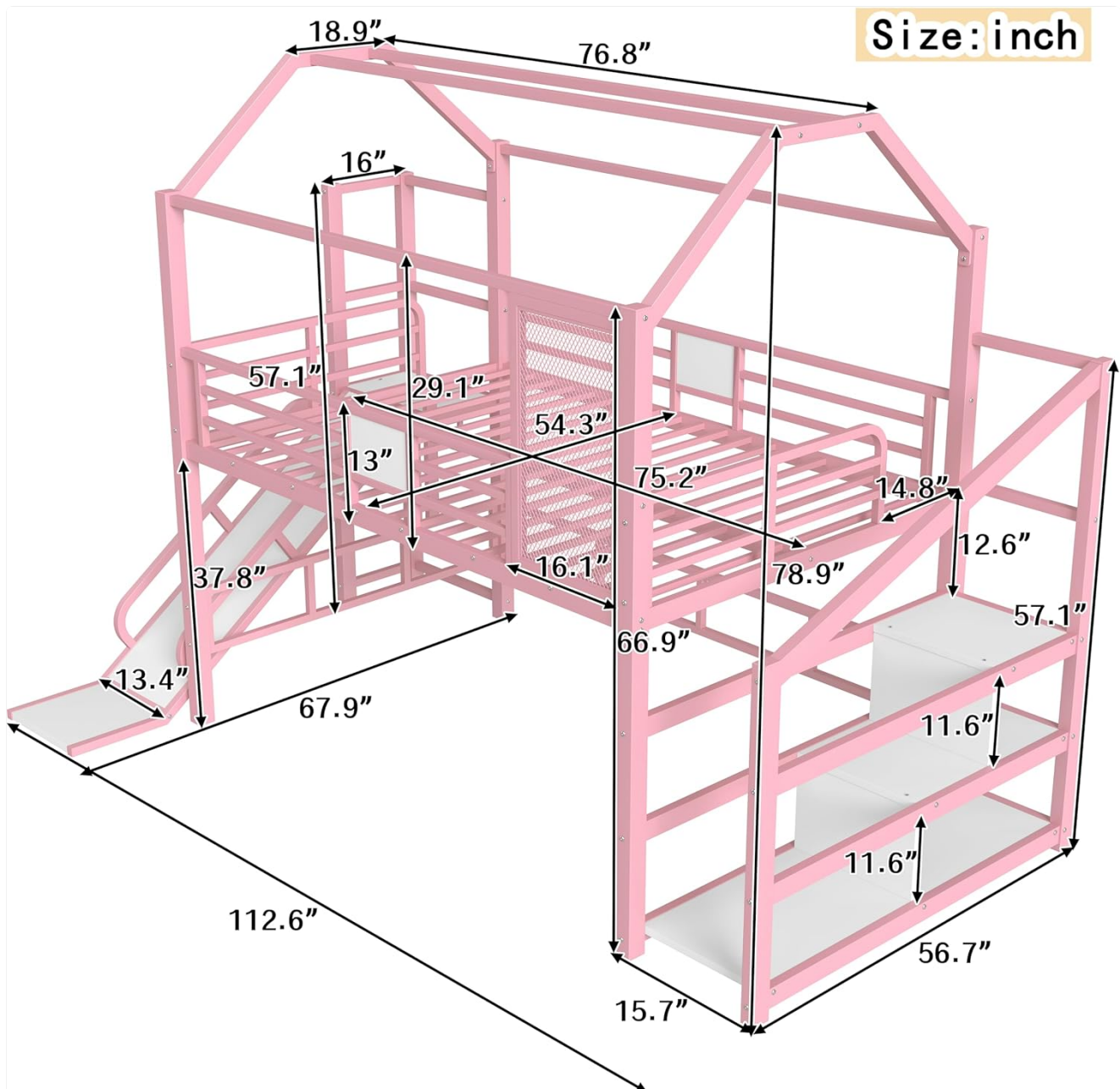


Image 5.2: A lifestyle image demonstrating the versatile under-bed space, suitable for play or additional furniture.

6. MAINTENANCE

Proper maintenance will extend the life of your loft bed.

- **Cleaning:** Wipe down the metal and MDF surfaces with a soft, damp cloth. Avoid abrasive cleaners or harsh chemicals that could damage the finish.
- **Hardware Check:** Every 3-6 months, inspect all bolts, screws, and connections. Tighten any that have become loose to maintain structural integrity and prevent squeaking.
- **Surface Protection:** If placing items on the shelves, consider using protective pads to prevent scratches.

7. TROUBLESHOOTING

If you encounter issues with your loft bed, refer to the following common problems and solutions:

Problem	Possible Cause	Solution
Bed is squeaking or wobbly	Loose hardware connections.	Carefully inspect all bolts and screws. Tighten any loose connections using the provided Allen wrench or appropriate tool.
Parts do not align during assembly	Incorrect orientation of parts; overtightened bolts preventing proper alignment.	Review the assembly instructions to ensure parts are oriented correctly. Loosen previously tightened bolts slightly to allow for adjustment, then retighten once aligned.
Slide feels unstable	Slide attachment hardware is loose.	Check and tighten all bolts securing the slide to the bed frame. Ensure the slide rests firmly on the floor.

8. SPECIFICATIONS

Feature	Detail
Product Type	Metal House Bed
Size	Full
Color	Pink
Frame Material	Metal + MDF (Engineered Wood)
Overall Product Dimensions (L x W x H)	112.6" x 56.69" x 78.94"
Overall Product Weight	Approximately 151.68 LBS (68.8 kg)
Weight Capacity	500 LBS
Recommended Mattress Thickness	6 inches
Age Range Description	6+ Years
Assembly Required	Yes (Full Assembly Needed)
Included Components	Storage Shelves

9. WARRANTY INFORMATION

For specific warranty details regarding your VilroCaz Full Size Playhouse Loft Bed, please refer to the purchase documentation, warranty card, or the retailer's website where the product was acquired.

10. CUSTOMER SUPPORT

If you have any questions, require assistance with assembly, or need to report missing or damaged parts, please contact your retailer or the manufacturer, VilroCaz, directly. Have your product model name and purchase date available when contacting support.

