

Elevon Foldable Shopping Cart

Elevon Foldable Shopping Cart with Wheels

Model: Foldable Shopping Cart

[Overview](#)

[Setup](#)

[Operation](#)

[Maintenance](#)

[Troubleshooting](#)

[Specifications](#)

[Warranty &](#)

[Support](#)

1. PRODUCT OVERVIEW

The Elevon Foldable Shopping Cart is a heavy-duty, collapsible utility cart designed for various tasks such as grocery shopping, laundry transport, and travel. Its robust construction and smart design ensure durability and ease of use.

Key Features:

- **Industrial-Strength Construction:** Features a reinforced steel frame with anti-rust coating, supporting up to 88 lbs. The mesh basket has reinforced stitching, and the base is cross-braced for stability.
- **Smart Space-Saving Design:** Collapses flat to just 6.7 inches thick in seconds using a one-hand folding mechanism. Its compact folded size (6.7"x19.7"x42.5") allows for easy storage in car trunks, closets, or behind doors. Weighs only 7.28 lbs for portability.
- **All-Terrain Mobility System:** Equipped with 360° swivel front wheels and fixed rear wheels for balanced maneuverability and stability. The wheels are designed to glide smoothly over various surfaces, including supermarket floors, pavement, gravel, and can handle stair climbing.
- **Multi-Functional Basket:** An oversized 16.5"x17.7" basket accommodates grocery bags, laundry baskets, camping gear, and office files. The reinforced mesh bottom secures contents during transport.
- **Quick Assembly:** Requires minimal setup with no tools needed, assembling in minutes and locking securely for use.



Image 1.1: The Elevon Foldable Shopping Cart, showcasing its capacity and design in a home setting.

2. SETUP AND ASSEMBLY

The Elevon Foldable Shopping Cart is designed for quick and easy setup, requiring no tools. Follow these steps to prepare your cart for use.

2.1 Unfolding the Cart

1. Remove the cart from its packaging. It will be in a folded, compact state.
2. Grasp the top handle and gently pull the cart upwards. The frame will begin to expand.
3. Continue pulling until the shelves click into their locked, flat positions. Ensure all shelves are fully extended and stable.

4. Verify that the cart is securely locked in its open position before loading any items.

Folding Design

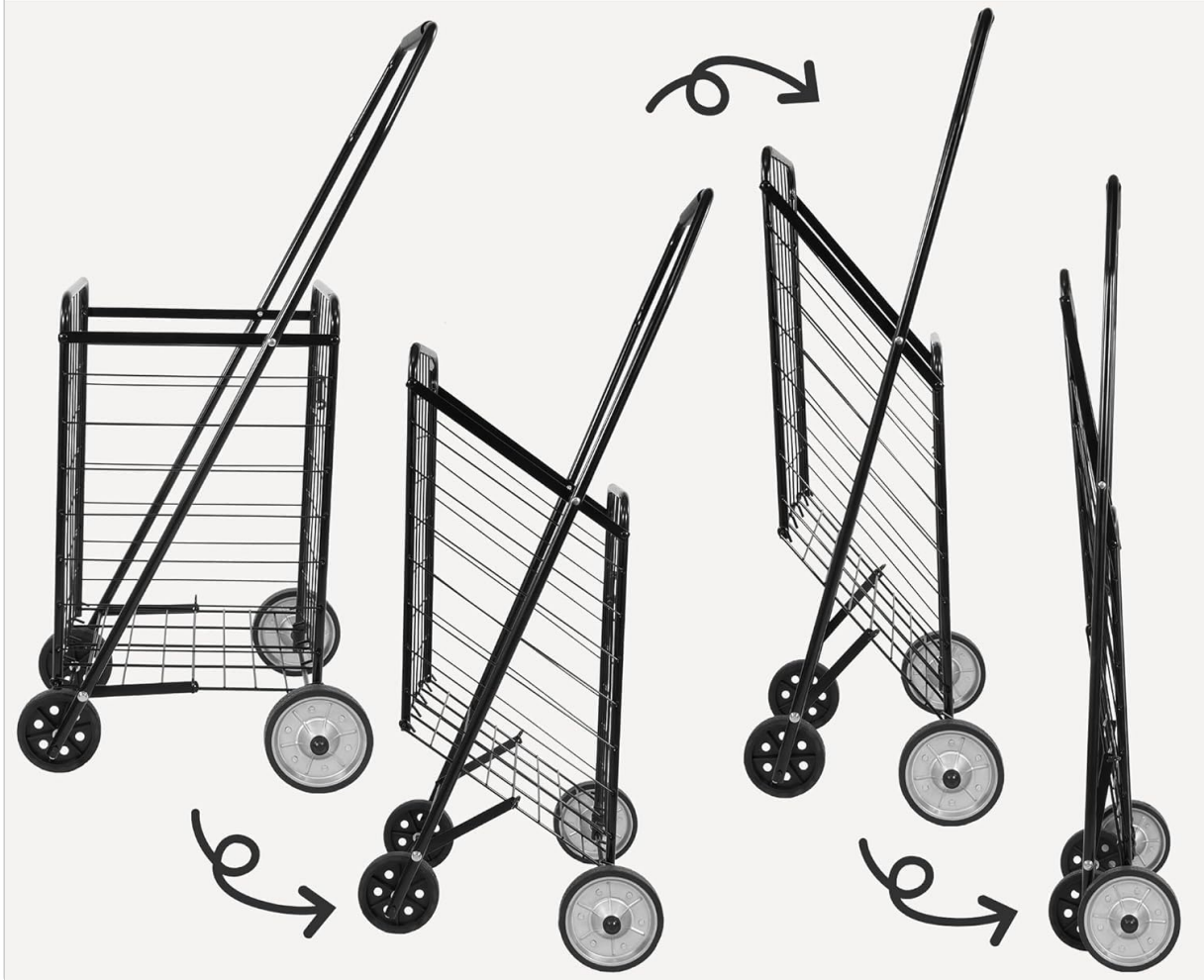


Image 2.1: Visual guide demonstrating the folding and unfolding mechanism of the cart.

2.2 Folding the Cart for Storage

To fold the cart for compact storage, reverse the unfolding process:

1. Ensure the cart is empty.
2. Locate the folding mechanism, typically a handle or latch on the top shelf.
3. Engage the mechanism (e.g., lift the handle) and gently push the sides of the cart inwards until it collapses flat.
4. The cart will fold to a thickness of approximately 6.7 inches, making it easy to store.



Space-saving and easy storage

Image 2.2: The cart in its folded state, demonstrating its space-saving storage in a vehicle trunk.

2.3 Product Demonstration Video

Video 2.1: A demonstration of the cart's folding and unfolding process, highlighting its ease of use and portability.

3. OPERATING INSTRUCTIONS

The Elevon Foldable Shopping Cart is designed for versatile use across various environments. Follow these guidelines for optimal operation.

3.1 Loading the Cart

- Ensure the cart is fully unfolded and locked before loading.
- Distribute weight evenly across the basket to maintain stability.
- Do not exceed the maximum weight capacity of 88 lbs.
- The reinforced mesh bottom helps secure contents, but consider using additional bags or straps for loose items.

3.2 Maneuvering the Cart

- The 360° swivel front wheels provide excellent maneuverability for navigating tight spaces.

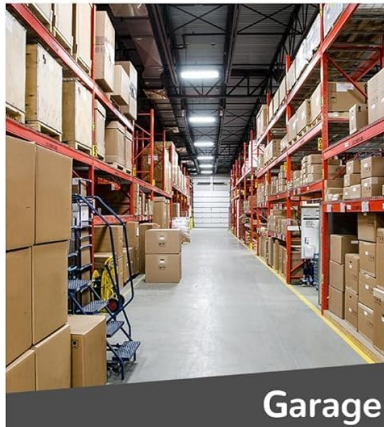
- The fixed rear wheels enhance stability, especially when pushing the cart over longer distances.
- The ergonomic foam-covered handle offers a comfortable grip for pushing or pulling.
- The wheels are designed to glide smoothly over various surfaces, including grass, concrete, and sidewalks. Exercise caution on uneven terrain.



VERSATILE USES



Laundry Store



Garage



Market

Image 3.1: The cart demonstrating its versatility in various settings, including laundry, garage, and market use.

4. MAINTENANCE

Proper maintenance will extend the life and performance of your Elevon Foldable Shopping Cart.

4.1 Cleaning

- Wipe down the steel frame and plastic components with a damp cloth and mild soap as needed.
- Avoid using abrasive cleaners or solvents, as these can damage the finish.
- Ensure the cart is dry before folding and storing to prevent rust.

4.2 Wheel Care

- Periodically check the wheels for debris (e.g., hair, string) that may impede smooth rotation. Clean as necessary.

- Ensure the wheel axles are free from obstruction.

4.3 Storage

- Store the cart in a dry place when not in use to protect the steel frame from moisture.
- Utilize its foldable design for compact storage in small spaces.

5. TROUBLESHOOTING

If you encounter any issues with your Elevon Foldable Shopping Cart, refer to the following common problems and solutions.

5.1 Cart Does Not Fold/Unfold Smoothly

- **Issue:** The cart feels stiff or gets stuck during folding or unfolding.
Solution: Check for any obstructions in the folding mechanism. Ensure no items are caught in the joints. Apply a small amount of silicone-based lubricant to the moving parts if necessary.

5.2 Wheels Are Not Rolling Smoothly

- **Issue:** Wheels are squeaking, dragging, or not turning freely.
Solution: Inspect the wheels for accumulated dirt, hair, or debris. Clean them thoroughly. Ensure the wheel axles are properly seated and not bent. If a wheel is damaged or detached, contact customer support for replacement options.

5.3 Cart Feels Unstable When Loaded

- **Issue:** The cart wobbles or feels like it might tip over.
Solution: Verify that the cart is fully unfolded and all locking mechanisms are engaged. Ensure the weight of the items is distributed evenly across the basket and does not exceed the 88 lbs capacity. Avoid placing excessively tall or top-heavy items without proper securing.

6. PRODUCT SPECIFICATIONS

Detailed specifications for the Elevon Foldable Shopping Cart.

Feature	Detail
Product Dimensions (Assembled)	16.5"D x 17.7"W x 39.2"H
Product Dimensions (Folded)	6.7"D x 19.7"W x 42.5"H
Brand	Elevon
Material	Alloy Steel
Color	Black
Weight Capacity Maximum	88 Pounds
Number of Wheels	4
Caster Type	Swivel (Front)
Handle Material	Foam

Required Assembly	Yes (Minimal)
Model Number	Foldable Shopping Cart
UPC	726463719890
ASIN	B0FSZ1F4X6

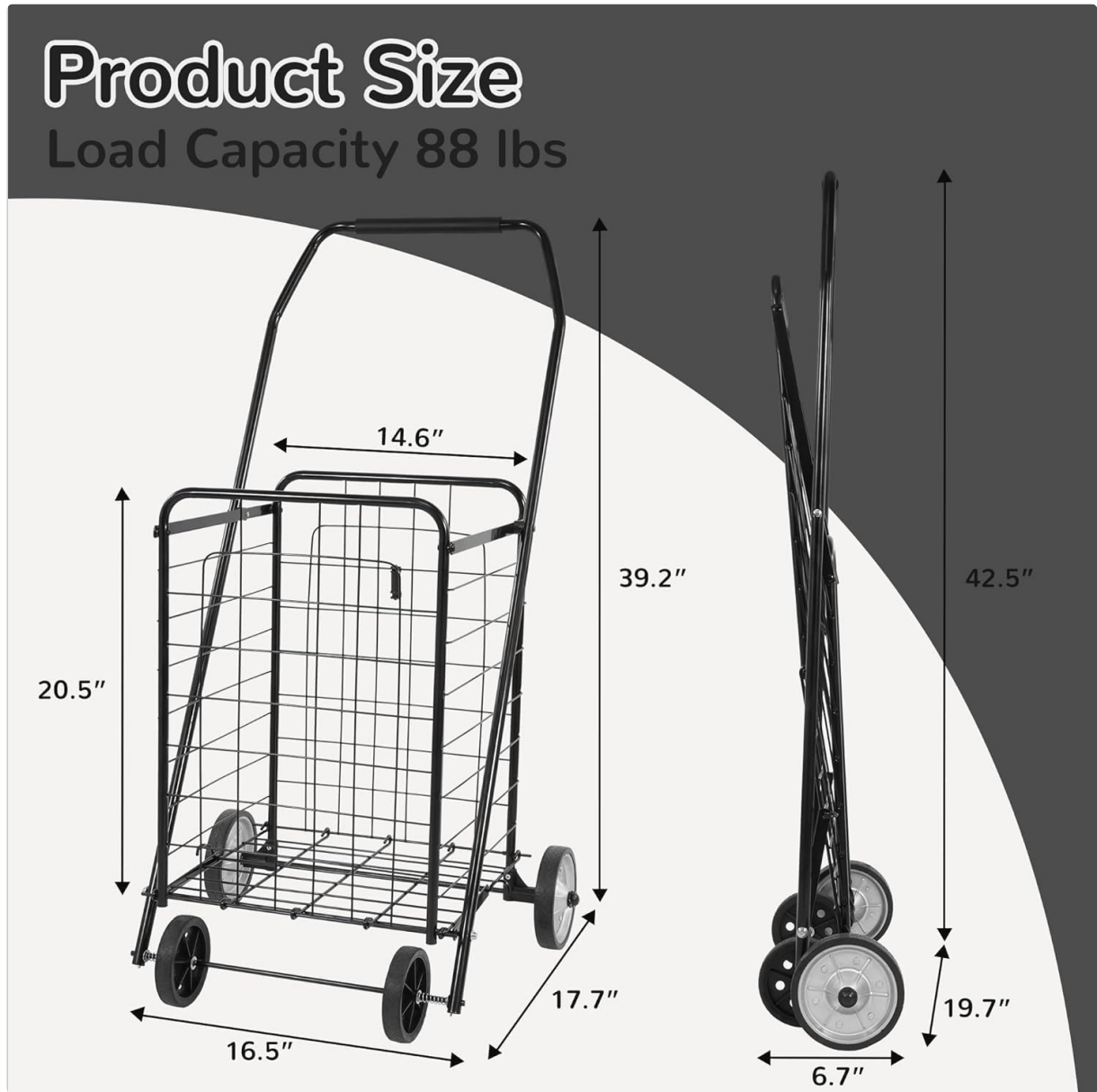


Image 6.1: Detailed dimensions and load capacity of the Elevon Foldable Shopping Cart.

7. WARRANTY AND SUPPORT

Elevon products are manufactured to high-quality standards. For specific warranty information or customer support, please refer to the documentation included with your purchase or visit the official Elevon website.

7.1 Contact Information

For assistance, please contact Elevon customer service:

- **Website:** [Visit the Elevon Store on Amazon](#)
- **Email:** Refer to product packaging

- **Phone:** Refer to product packaging