

Surfans F20 Pro

Surfans F20 Pro Android Hi-Res Music Player User Manual

Model: F20 Pro

[Setup](#)

[Operating](#)

[Maintenance](#)

[Troubleshooting](#)

[Specifications](#)

[Warranty &
Support](#)

INTRODUCTION

Thank you for choosing the Surfans F20 Pro Android Hi-Res Music Player. This manual provides essential information for setting up, operating, and maintaining your device. Please read it thoroughly to ensure optimal performance and longevity of your music player.

1. SETUP

1.1 Unboxing and Package Contents

Carefully unpack your Surfans F20 Pro. Ensure all components are present.

The package should contain:

- 1 x Surfans F20 Pro Music Player
- (Other accessories like USB cable, protective case, etc., may be included depending on the specific package.)



Corpo CNC Premium



ALPS di precisione



Touchscreen da 2,7 pollici



The Surfans F20 Pro features a premium CNC body for durability and aesthetics.

1.2 Charging the Device

Before first use, fully charge the device. Connect the included USB cable to the player's charging port and to a USB power adapter (not included) or a computer's USB port. The charging indicator will show the charging status. A full charge typically takes approximately 3 hours.

The Surfans F20 Pro features a 1450mAh rechargeable battery, providing up to 15 hours of music playback on a full charge.

1.3 Powering On/Off

- **To Power On:** Press and hold the Power button located on the side of the device until the screen lights up.
- **To Power Off:** Press and hold the Power button until a power-off menu appears on the screen. Select "Power Off" to shut down the device. A short press will turn the screen on/off.

1.4 Initial Configuration

Upon first power-on, you may be guided through an initial setup process. This typically includes:

- **Language Selection:** Choose your preferred language.

- **Wi-Fi Setup:** Connect to a Wi-Fi network to enable streaming services and software updates. Navigate to Settings > Network & Internet > Wi-Fi.
- **Google Account:** Sign in with your Google account to access the Google Play Store and other Google services.

1.5 Expanding Storage

The Surfans F20 Pro comes with 32GB of internal memory. You can expand the storage up to 1TB using a Micro SD card. Insert the Micro SD card into the designated slot on the device.

2. OPERATING INSTRUCTIONS

2.1 Device Overview and Navigation

The F20 Pro features a 2.73-inch touchscreen for primary interaction and physical buttons for quick control.



The Surfans F20 Pro features a touchscreen interface for easy navigation and access to various applications.

- **Touchscreen:** Tap, swipe, and pinch to navigate menus, select options, and control playback.
- **Physical Buttons:** Use the side buttons for power, volume control, and playback (play/pause, skip tracks). The scroll wheel provides tactile navigation.

2.2 Music Playback

The F20 Pro supports various audio formats including MP3, AAC, FLAC, WAV, and DSD. You can play music stored on the device's internal memory or Micro SD card, or stream from online services.

- **Local Playback:** Use the pre-installed music player app to browse and play your local audio files.
- **Streaming:** Install and use streaming applications like Spotify, Apple Music, Tidal, or YouTube from the Google Play Store.

2.3 Connecting Audio Devices

The player offers both wired and wireless audio output options.



The F20 Pro features both 3.5mm single-ended and 4.4mm balanced audio output ports for versatile headphone connectivity.

- **Wired Headphones:**
 - **3.5mm Single-Ended:** Connect standard headphones to the 3.5mm port.
 - **4.4mm Balanced:** For enhanced audio quality and power, connect compatible balanced headphones to the 4.4mm port. This port provides 500mW of power.
- **Bluetooth Headphones/Speakers:**

- The F20 Pro supports Bluetooth 5.0 with LDAC for high-fidelity wireless audio.
- To pair: Go to Settings > Connected devices > Pair new device. Ensure your Bluetooth device is in pairing mode.



The F20 Pro supports Bluetooth 5.0 with LDAC for high-quality wireless audio streaming.

Your browser does not support the video tag.

This video demonstrates the process of pairing a Bluetooth device with a music player. The steps shown are generally applicable to the Surfans F20 Pro.

2.4 Wi-Fi Connectivity

The device supports dual-band Wi-Fi (2.4GHz and 5GHz) for fast downloads and smooth streaming.

Wi-Fi Dual-Band (2,4GHz . & 5GHz)

Wi-Fi dual-band (2,4GHz e 5GHz) garantisce download di app più veloci, streaming più fluido e una copertura più ampia, ideale sia per l'ascolto a casa che in movimento.



The Surfans F20 Pro supports dual-band Wi-Fi for reliable internet connection and streaming.

- To connect: Go to Settings > Network & Internet > Wi-Fi. Select your network and enter the password.
- Once connected, you can use pre-installed or downloaded streaming apps.

2.5 Connecting to a Computer

You can connect the F20 Pro to a computer via USB to transfer files or use it as a USB DAC.

Your browser does not support the video tag.

This video illustrates how to easily connect a music player to a PC for file transfer or other functions. The process is similar for the Surfans F20 Pro.

- Connect the player to your computer using the USB cable.
- On the player, swipe down from the top of the screen to access notifications. Tap on the USB connection notification and select "File transfer" or "USB DAC" mode as needed.

3. MAINTENANCE

3.1 Cleaning the Device

To keep your F20 Pro in optimal condition:

- Use a soft, dry, lint-free cloth to wipe the screen and body.
- Avoid using abrasive cleaners, solvents, or aerosol sprays, which can damage the finish.
- Do not expose the device to excessive moisture.

3.2 Battery Care

To maximize battery life and performance:

- Avoid extreme temperatures.
- Do not leave the device fully discharged for extended periods.
- For long-term storage, charge the battery to about 50% and store in a cool, dry place.

3.3 Software Updates

The F20 Pro runs on Android 12. Periodically check for software updates to ensure the best performance and access to new features. Connect to Wi-Fi and go to Settings > System > System update.

4. TROUBLESHOOTING

4.1 Device Does Not Power On

- Ensure the battery is charged. Connect the device to a charger for at least 30 minutes.
- Try pressing and holding the Power button for 10-15 seconds to force a restart.

4.2 No Sound Output

- Check headphone connections (3.5mm or 4.4mm). Ensure they are fully inserted.
- Verify volume levels on the device and any connected Bluetooth audio devices.
- If using Bluetooth, ensure the device is properly paired and connected.
- Test with different headphones or speakers to rule out a faulty audio accessory.

4.3 Wi-Fi or Bluetooth Connection Issues

- Ensure Wi-Fi or Bluetooth is enabled in the settings.
- Restart the F20 Pro and your router/Bluetooth device.
- Forget the network/device in settings and try reconnecting.
- Ensure you are within range of the Wi-Fi network or Bluetooth device.

4.4 Slow Performance or App Crashes

While the F20 Pro has an Octa-Core processor and 3GB RAM, some apps or heavy multitasking might affect performance.

- Close unused background applications.
- Clear app caches (Settings > Apps > [App Name] > Storage & cache > Clear cache).
- Ensure the device software is up to date.
- If issues persist, consider a factory reset (Settings > System > Reset options > Erase all data), but back up your data first.

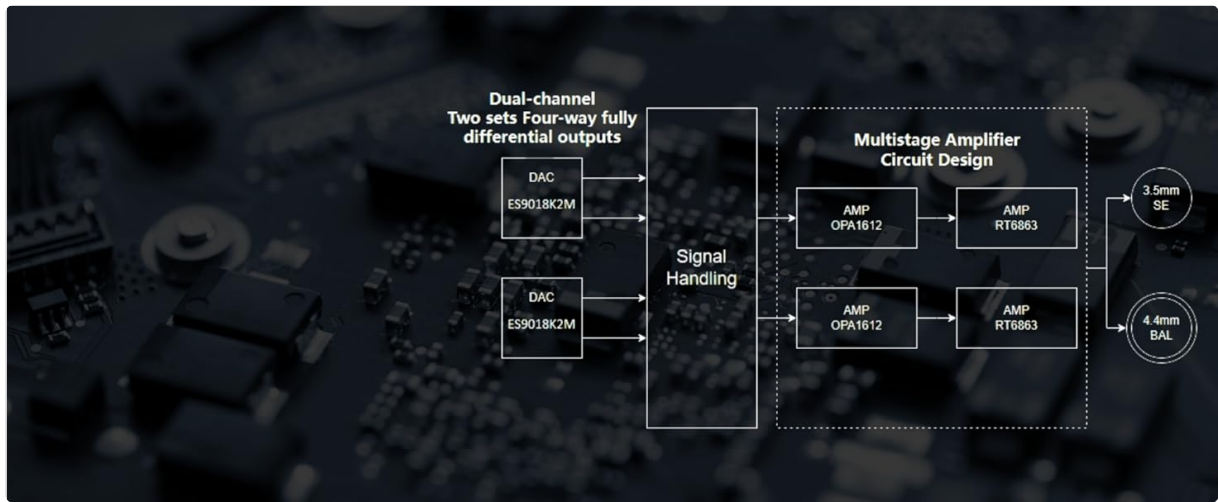
5. SPECIFICATIONS

Below are the key technical specifications for the Surfans F20 Pro Music Player:

Feature	Detail
Model Name	F20 Pro
Brand	Surfans
Operating System	Android 12
Processor	Octa-Core
RAM	3GB
Internal Storage	32GB
Expandable Storage	Up to 1TB via Micro SD
DAC	Dual ESS9018
Hi-Res Audio Support	DSD512
Connectivity	AUX, Bluetooth 5.0 (LDAC), USB, Dual-Band Wi-Fi (2.4GHz & 5GHz)
Screen Size	2.73 Inches
Screen Technology	Touch screen
Supported Audio Formats	MP3, AAC, FLAC, WAV, DSD
Balanced Output	4.4mm (500mW)
Battery Capacity	1450mAh
Battery Life	Up to 15 hours music playback



The Surfans F20 Pro features dual ESS9018 DACs for superior audio decoding.



Internal audio architecture showing dual DACs and multi-stage amplifier design for both single-ended and balanced outputs.

6. WARRANTY & SUPPORT

For warranty information and technical support, please refer to the documentation provided with your purchase or contact the seller directly. The seller for this product is SurfansAudio.

Keep your proof of purchase for any warranty claims.