

## Lenovo Legion Pro 5i 83F3

# Lenovo Legion 5 Pro 5i Gen 10 Gaming Laptop User Manual

Model: Legion Pro 5i 83F3

## 1. INTRODUCTION

---

This manual provides essential information for the safe and efficient use of your Lenovo Legion 5 Pro 5i Gen 10 Gaming Laptop. Please read this manual thoroughly before operating your device to ensure optimal performance and longevity. Keep this manual for future reference.



Figure 1.1: Lenovo Legion 5 Pro 5i Gen 10 Gaming Laptop. This image displays the laptop with its lid open, showcasing the vibrant display and RGB-backlit keyboard.

## 2. INITIAL SETUP

### 2.1 Unpacking and Inspection

Carefully remove all components from the packaging. Verify that all items listed in the 'What's in the Box' section are present and undamaged. If any items are missing or damaged, contact your retailer.

- Lenovo Legion Pro 5i Gen 10 Gaming Laptop
- 245W AC Adapter with Power Cable
- User Manual (this document)

### 2.2 Connecting to Power

Before first use, connect the laptop to a power outlet using the provided 245W AC adapter. This ensures the battery is charged and provides stable power for initial setup.

1. Connect the AC adapter to the power connector on the laptop.
2. Plug the power cable into the AC adapter.
3. Plug the power cable into a grounded electrical outlet.

# Connectivity

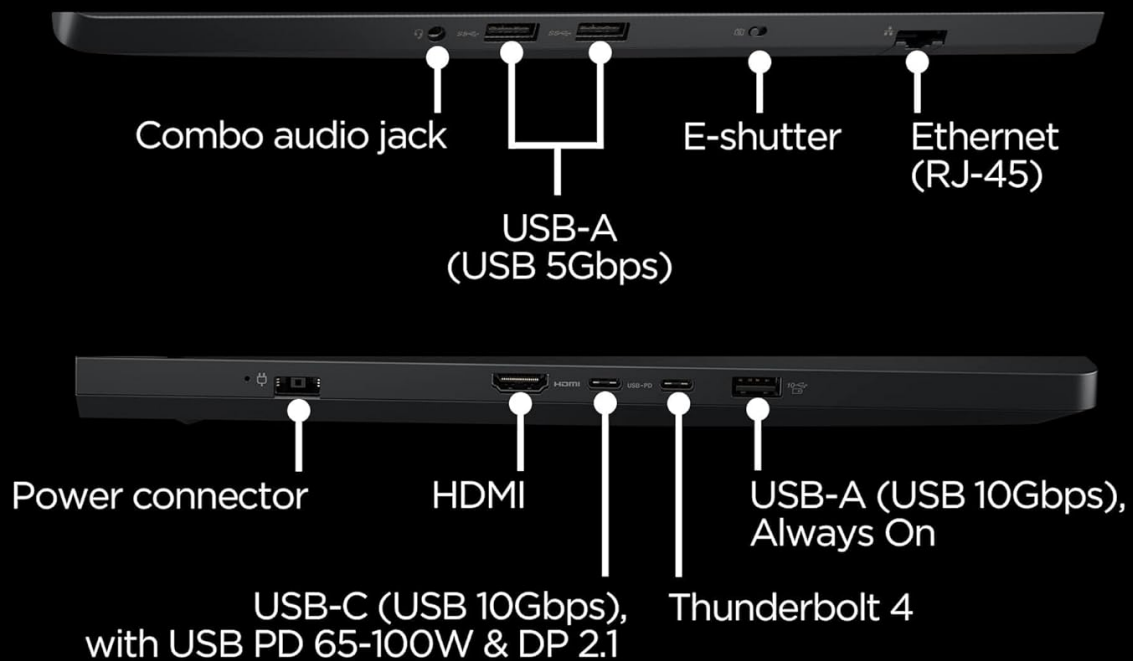


Figure 2.1: Power connector location. This image highlights the various ports on the laptop, including the power input.

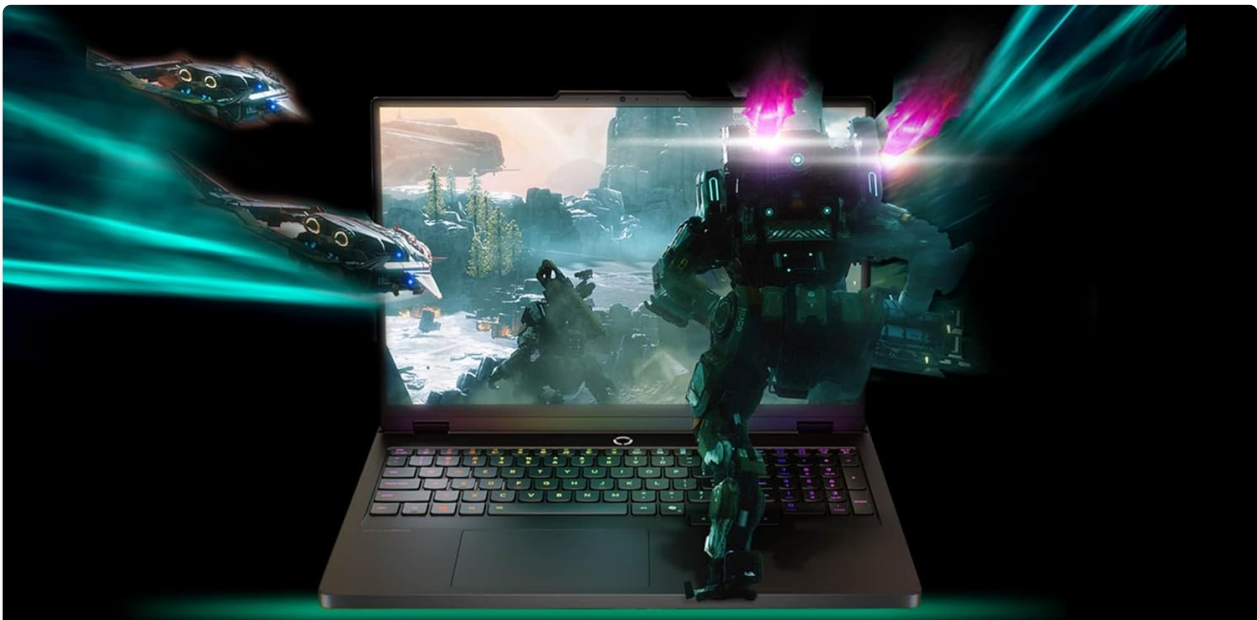
## 2.3 First Boot and Operating System Setup

Press the power button to turn on the laptop. Follow the on-screen instructions to complete the Windows 11 Home setup, including language selection, network connection, and user account creation.

## 3. OPERATION

### 3.1 Display Features

Your laptop features a 16-inch WQXGA (2560x1600) OLED display with a 165Hz refresh rate and NVIDIA G-SYNC technology for smooth visuals. It supports DisplayHDR True Black 1000 and 100% DCI-P3 color gamut for accurate color reproduction.




# Spot enemies faster

<p>Lenovo <b>PURESIGHT</b> OLED GAMING</p>	<p>16" WQXGA OLED display</p>	<p>16:10 aspect ratio</p>	<p>91% active area ratio</p>
<p>2560 x 1600 resolution</p>	<p>165Hz variable refresh rate</p>	<p>100% DCI-P3 color gamut</p>	<p>X-Rite™ certified</p>
<p>VESA CERTIFIED <b>DisplayHDR™</b></p>	<p>TRUE BLACK 1000</p>	<p><b>Dolby</b> VISION</p>	<p>TÜVRheinland CERTIFIED</p> <p>eyesafe DISPLAY LOW BLUE LIGHT COLOR ACCURATE</p>

Figure 3.1: Display specifications. This image illustrates the key features of the laptop's display, including resolution, refresh rate, and color accuracy.

### 3.2 Keyboard and Input

The laptop is equipped with a 24-zone RGB backlit keyboard featuring Legion TrueStrike for precise keystrokes. It includes a dedicated number pad and Mylar touchpad.



**LEGION  
TRUESTRIKE**      **Lenovo  
SPECTRUM**

# Precision keystrokes for the competitive edge

1.6mm key travel	0.3mm dish	100% Anti-ghosting	Swappable 4-key cap set
Dedicated arrow keys, number pad and Mylar touchpad			24-zone RGB lighting option

Figure 3.2: Keyboard features. This image highlights the RGB lighting and key design of the laptop's keyboard.

### 3.3 Audio System

Experience immersive audio with Nahimic by SteelSeries and HARMAN-tuned speakers. The AI Smart Profile automatically adjusts sound settings for various activities.

### 3.4 Performance and Cooling

The laptop is powered by an Intel Core Ultra 7 255HX processor and NVIDIA GeForce RTX 5060 8GB GDDR7 GPU. The Legion Coldfront: Hyper cooling system, with turbo-charged 3D fans and copper heat pipes, maintains optimal temperatures during intensive use. The Lenovo AI Engine+ intelligently optimizes performance and resource allocation.

**LEGION  
COLDFRONT  
HYPER**



**Stay cool, play silent,  
and take control  
with Legion Coldfront: Hyper**

Turbo-charged  
3D fans

3D copper  
heat pipes

Acoustic AI  
Sound Sync

Figure 3.3: Cooling system. This image visually represents the Legion Coldfront: Hyper cooling technology with its internal components.

An advertisement for the NVIDIA GeForce RTX 5060 graphics card. The top half features a laptop on a desk with a red mecha character on the screen and a hand reaching out to interact with green energy. A small NVIDIA logo is on the laptop's keyboard. Below the image, the text 'Game changer' is prominently displayed. Underneath, four key features are listed in two columns: NVIDIA® GeForce RTX™ 5060 Series graphics, NVIDIA® DLSS 4, NVIDIA® Reflex 2, and NVIDIA® Studio, Ray Tracing.

# Game changer

**NVIDIA® GeForce RTX™ 5060**  
Series graphics

**NVIDIA® DLSS 4**  
**NVIDIA® Reflex 2**

**NVIDIA® Studio**  
**Ray Tracing**

Figure 3.4: NVIDIA GeForce RTX 5060 graphics. This image highlights the dedicated graphics card and its capabilities.

### 3.5 Connectivity

The laptop offers a comprehensive array of ports and wireless options:

- **Ports:** Thunderbolt 4, USB-C 3.2 Gen 2 (with PD 65-100W & DP 2.1), 2x USB-A 3.2 Gen 1, USB-A 3.2 Gen 2 (Always On), HDMI, Ethernet (RJ-45), 3.5mm combo audio jack.
- **Wireless:** Wi-Fi 7 (802.11.be), Bluetooth 5.4.
- **Webcam:** 5MP camera.



Figure 3.5: Connectivity ports. This diagram labels the various input/output ports available on the laptop.

### 3.6 Battery and Charging

The laptop features an 80Whr high-capacity battery and supports 245W rapid charging. USB-C charging (65-100W) is also supported.



# Unleash performance all across campus

Super Rapid Charge

**80Whr battery capacity**  
Maximum battery capacity allowed for flights

**65-100W**  
USB-C charging

**WiFi 7**  
(320MHz)

**300W**  
power adapter

Figure 3.6: Battery and charging. This image illustrates the battery capacity and charging capabilities of the laptop.

### 3.7 Lenovo Vantage Software

Utilize the Lenovo Vantage software to personalize and tune your device. This includes managing fan modes, system updates, and other performance settings.

Your browser does not support the video tag.

Video 3.1: Lenovo Legion Slim Gaming Laptop Overview. This video, provided by the seller, showcases various features of a Lenovo Legion Slim gaming laptop, including its design, performance, and software. While the video specifically mentions a 'Slim 5' model with an 'RTX 4060', many of the general features and software demonstrated are applicable to the Legion 5 Pro 5i Gen 10.

## 4. MAINTENANCE

### 4.1 Cleaning Your Laptop

Regular cleaning helps maintain your laptop's appearance and functionality.

- **Screen:** Use a soft, lint-free cloth lightly dampened with water or a screen cleaner. Avoid harsh

chemicals.

- **Keyboard and Chassis:** Use a soft cloth to wipe surfaces. Compressed air can be used to remove dust from between keys and vents.
- **Vents:** Ensure cooling vents are clear of dust and debris to prevent overheating.

## 4.2 Software Updates

Keep your operating system, drivers, and Lenovo Vantage software updated to ensure optimal performance, security, and compatibility. Windows Update and Lenovo Vantage can assist with this.

# 5. TROUBLESHOOTING

---

This section addresses common issues you might encounter.

## 5.1 Power Issues

If the laptop does not power on or respond:

- Ensure the AC adapter is securely connected to both the laptop and a working power outlet.
- Verify the power outlet is functional by plugging in another device.
- If the battery is completely drained, allow it to charge for at least 30 minutes before attempting to power on.
- Perform a hard reset by disconnecting the AC adapter and holding the power button for 15-30 seconds, then reconnect and try to power on.

## 5.2 Performance Issues

If the laptop experiences slow performance or overheating:

- Check for excessive background applications and close unnecessary programs.
- Ensure cooling vents are unobstructed and clean.
- Use Lenovo Vantage to monitor system temperatures and adjust fan modes. The laptop supports 4 fan modes for different performance needs.
- Verify that graphics drivers and system software are up to date.

# 6. SPECIFICATIONS

---

Feature	Specification
Model Name	Legion Pro 5i 83F3
Processor	Intel Core Ultra 7 255HX (20 cores, up to 5.20 GHz)
RAM	32 GB DDR5 (4800 MHz)
Storage	1 TB NVMe SSD
Graphics Coprocessor	NVIDIA GeForce RTX 5060 8GB GDDR7

Feature	Specification
Display	16-inch WQXGA (2560x1600) OLED, 165Hz, G-SYNC, 500 nits, DisplayHDR True Black 1000, 100% DCI-P3
Operating System	Windows 11 Home
Wireless Connectivity	Wi-Fi 7 (802.11.be), Bluetooth 5.4
Ports	Thunderbolt 4, USB-C 3.2 Gen 2, 2x USB-A 3.2 Gen 1, USB-A 3.2 Gen 2, HDMI, Ethernet (RJ-45), 3.5mm combo audio jack
Webcam	5MP
Battery	80Whr
Dimensions (LxWxH)	14.34 x 10.55 x 0.85 inches
Weight	5.36 pounds

## 7. WARRANTY AND SUPPORT

---

### 7.1 Warranty Information

This product includes a one-year manufacturer's warranty on remaining components. Any upgraded memory is covered by a three-year warranty from Issaquah Highlands Tech. Please retain your proof of purchase for warranty claims.

### 7.2 Technical Support

For technical assistance, driver downloads, or further information, please visit the official Lenovo support website or contact your retailer, Issaquah Highlands Tech.