

## Manuals+

[Q & A](#) | [Deep Search](#) | [Upload](#)

### Manuals.plus /

- › [Baasha](#) /
- › Baasha Reclining Barber Chair Model 161 Instruction Manual

## Baasha 161

# Baasha Reclining Barber Chair Model 161 Instruction Manual

Model: BS-DFD-FBM

[Setup](#)   [Operating Instructions](#)   [Maintenance](#)   [Troubleshooting](#)   [Specifications](#)   [Warranty & Support](#)

## 1. SETUP

The Baasha Reclining Barber Chair Model 161 is shipped in two separate packages to ensure safe delivery. Please ensure you have received both packages before beginning assembly. The primary tracking number is available in your Amazon order details. The second tracking number will be sent to your Amazon Message Center shortly after shipment.

### 1.1 Unboxing and Component Check

Carefully unbox both packages. Verify all components are present against the included parts list. The chair includes a salon chair, an instruction manual, and necessary tools.



Image: All components of the Baasha Reclining Barber Chair laid out for assembly.

## 1.2 Assembly Steps

Follow the detailed instructions provided in the included manual for step-by-step assembly. It is recommended to have two people for assembly due to the weight of some components.

Your browser does not support the video tag.

Video: Demonstrates the assembly process for the Baasha Luxury Barber Chair BS161. This video shows the chair being assembled from its components.

## 1.3 Structural Integrity

The chair features a premium heavy-duty stainless steel frame for long-term use and stability. Ensure all connections are securely fastened during assembly.



**Smooth Lifts, Unparalleled Safety**

Image: A close-up view highlighting the robust stainless steel frame beneath the chair's cushioning, ensuring durability.

## 2. OPERATING INSTRUCTIONS

## 2.1 Adjusting Chair Height

The chair is equipped with an upgraded heavy-duty hydraulic pump for smooth height adjustments. To raise the chair, pump the foot pedal. To lower, depress the foot pedal while applying slight downward pressure on the seat.

# Cosy Sponge Cushioning

## Embrace Comfort with Soft Resilience

★★★★★  
**Baasha**  
Whole Premium Sponges

★ ★ ☆ ☆ ☆  
**Others**  
Scrap Sponges

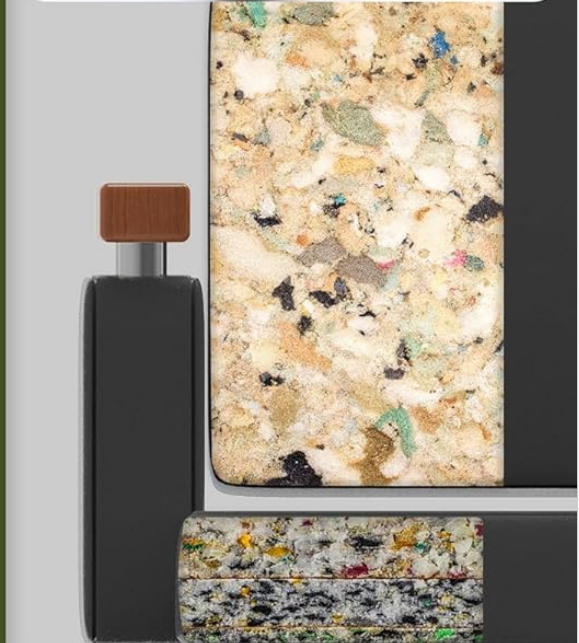
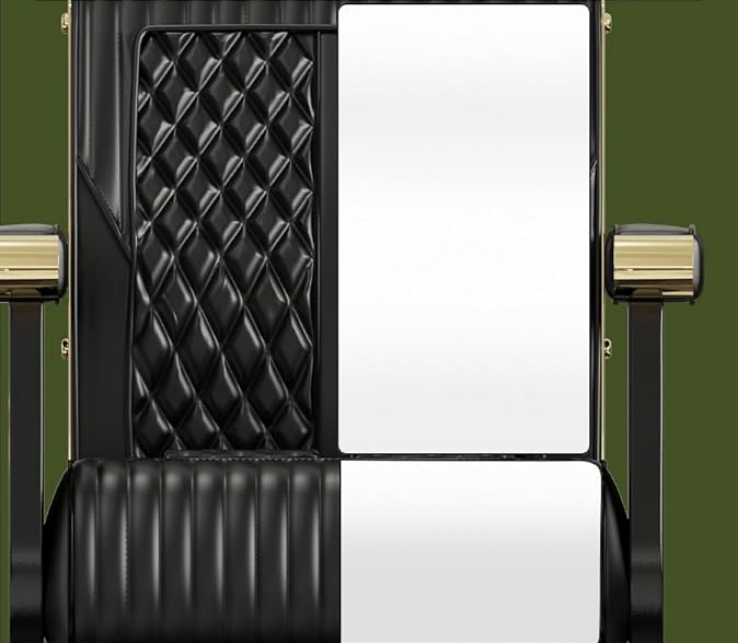




Image: A detailed view of the chair's hydraulic pump and reinforced wide base, illustrating the mechanism for height adjustment and stability.

## 2.2 Reclining the Backrest

The backrest can recline up to 165°. Locate the recline lever, typically on the side of the chair. Pull the lever and gently push back on the chair to recline. Release the lever to lock the position. To return to an upright position, pull

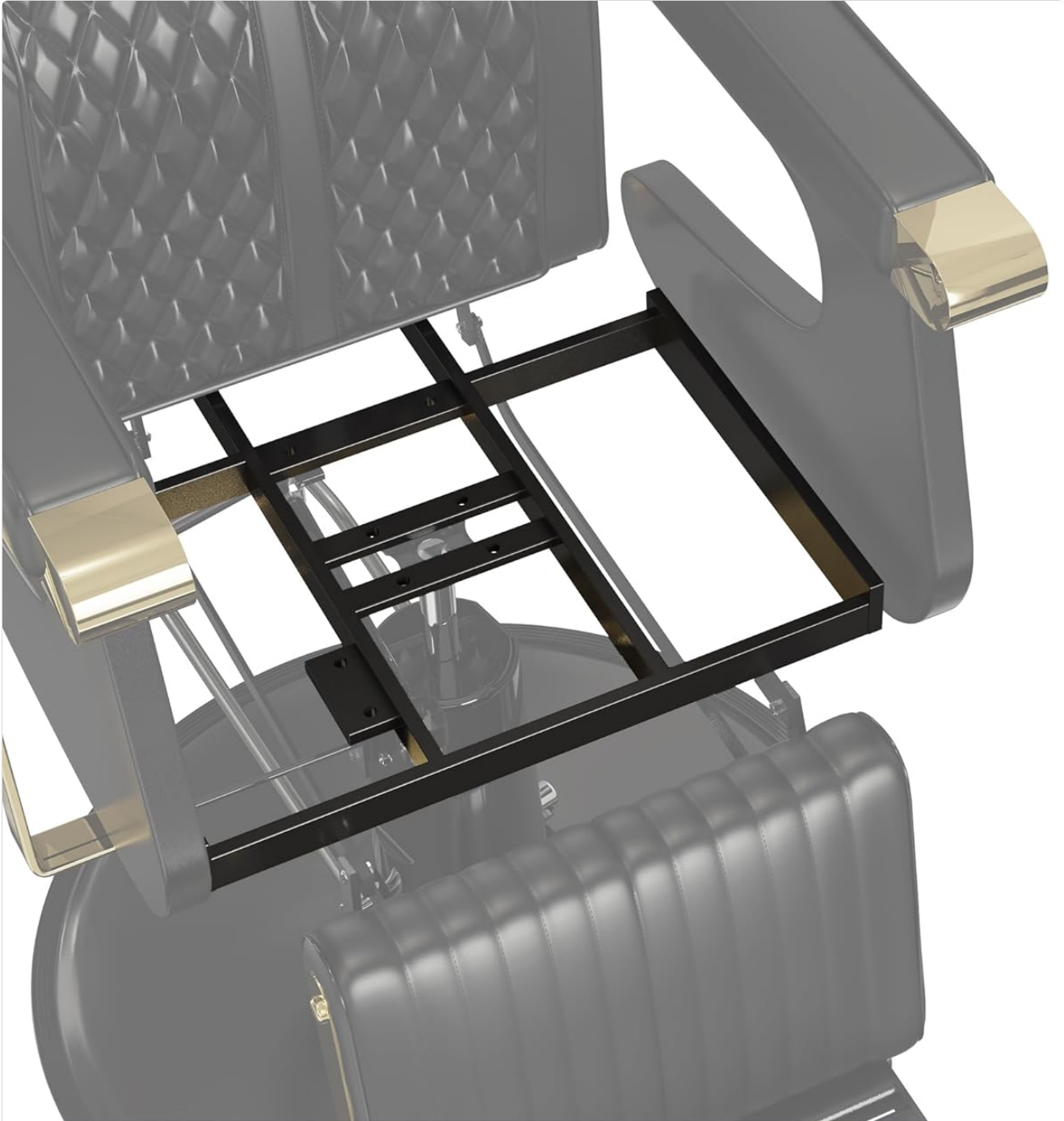
the lever and lean forward.

Your browser does not support the video tag.

Video: Shows the reclining function of the Luxury Barber Chair, demonstrating how to adjust the backrest and footrest for client comfort.

### 2.3 Adjusting the Headrest

The headrest is removable and adjustable. Pull it upwards to extend or remove it. Push it downwards to shorten or reinsert. This allows for optimal client comfort and versatility for various services.



**Premium Stainless Steel Frame**  
Unmatched Quality Guaranteed

Image: A visual representation of the chair's versatile features, including the removable headrest, 165° reclining back, and adjustable

lift.

## 2.4 Swivel Function

The chair features a smooth 360° rotation. This allows for easy positioning of the client during services. Ensure the chair is stable before rotating.

Your browser does not support the video tag.

Video: Demonstrates the 360-degree swivel and reclining capabilities of the Baasha Salon Chair, highlighting its versatility for various salon services.

## 3. MAINTENANCE

### 3.1 Cleaning the Upholstery

The chair is crafted with thicker, high-quality leather that is waterproof and easy to clean. Use a soft, damp cloth with mild soap and water to wipe down the surfaces. Avoid harsh chemicals or abrasive cleaners that could damage the material.

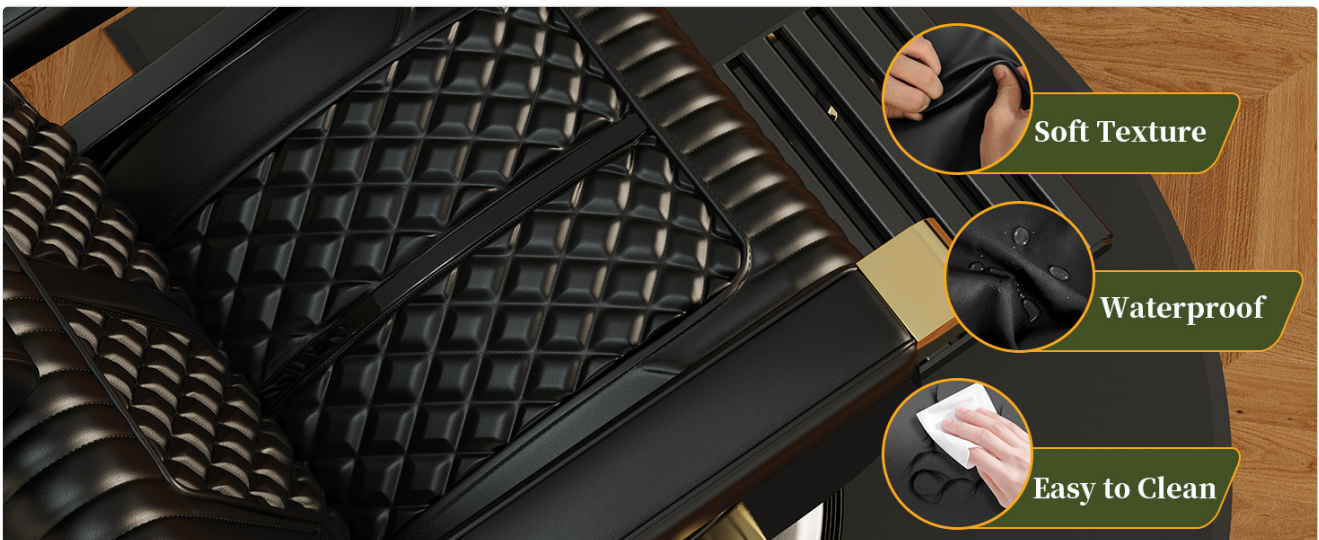


Image: Illustrates the soft texture, waterproof nature, and easy-to-clean properties of the chair's high-quality leather upholstery.

### 3.2 Hydraulic System Care

Regularly check the hydraulic pump for any leaks or unusual operation. Keep the hydraulic shaft clean and free of debris. If the pump's operation becomes stiff, consult a professional for lubrication or repair.

### 3.3 General Inspection

Periodically inspect all bolts, screws, and moving parts to ensure they are tight and functioning correctly. Tighten any loose fasteners. This helps maintain the chair's stability and extends its lifespan.

## 4. TROUBLESHOOTING

### 4.1 Chair Not Raising/Lowering

- **Issue:** Chair does not respond to foot pedal for height adjustment.
- **Solution:** Ensure the hydraulic pump lever is fully engaged. Check for any obstructions around the foot pedal or hydraulic mechanism. If the issue persists, the hydraulic pump may require professional inspection or replacement.

## 4.2 Backrest Not Reclining/Locking

- **Issue:** Backrest does not recline or lock into position.
- **Solution:** Verify the recline lever is fully engaged or disengaged as needed. Check for any foreign objects obstructing the reclining mechanism. Ensure all bolts connecting the backrest to the frame are secure.

## 4.3 Instability or Wobbling

- **Issue:** The chair feels unstable or wobbles during use.
- **Solution:** Ensure the chair is placed on a flat, even surface. Check all assembly bolts and screws, especially those connecting the base to the chair, and tighten if loose. The reinforced wide base is designed for stability, so persistent wobbling may indicate an assembly error or damaged component.

## 5. SPECIFICATIONS

Feature	Detail
Brand	Baasha
Model Name	BS-DFD-FBM
Color	All Black
Product Dimensions	20"D x 25"W x 38"H
Maximum Weight Recommendation	440 Pounds
Back Style	Open Back
Special Features	Adjustable Headrest, Back Support, Ergonomic, Heavy Duty, Reclining
Recommended Uses	Hair styling, Hair coloring, Hair cutting, Hair braiding, Hair Extensions, Tattooing
Material	Metal frame, Premium Sponge fill, High-quality leather upholstery
Reclining Position Count	2 (up to 165°)
Item Weight	50 pounds



Image: A diagram illustrating the key dimensions of the barber chair, including backrest width, height, seat depth, and overall height range.

## 6. WARRANTY & SUPPORT

### 6.1 Return Policy

This product is eligible for a 30-day refund/replacement return policy. Please refer to your purchase platform for specific return instructions and conditions.

## **6.2 Protection Plans**

Optional protection plans are available for purchase, including a 3-Year Protection Plan and a Complete Protect monthly plan. These plans offer extended coverage beyond the standard return policy.

## **6.3 Manufacturer Support**

For further assistance, technical support, or inquiries regarding parts, please contact Baasha Beauty Flagship directly through your Amazon Message Center or visit the [Baasha Store on Amazon](#).